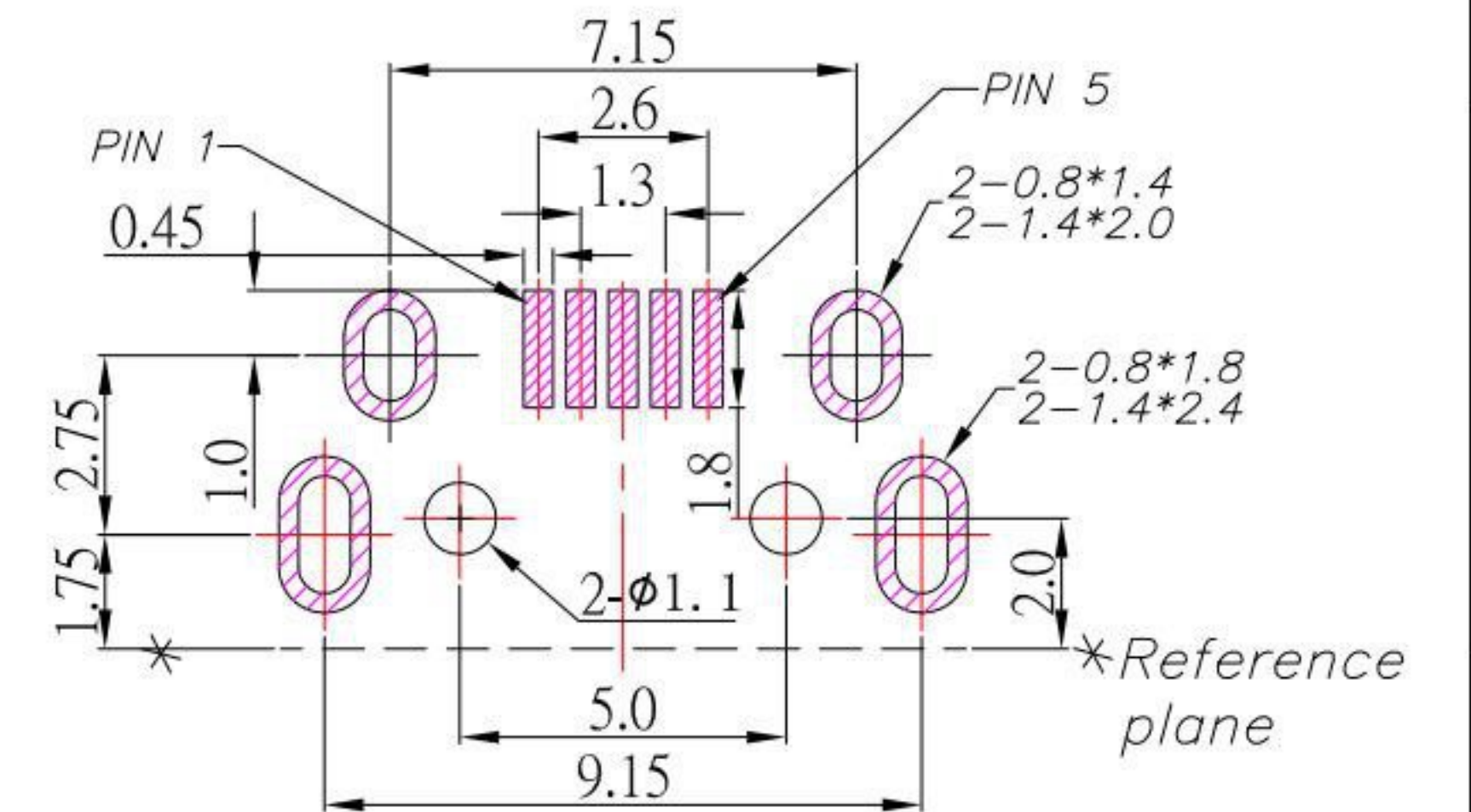
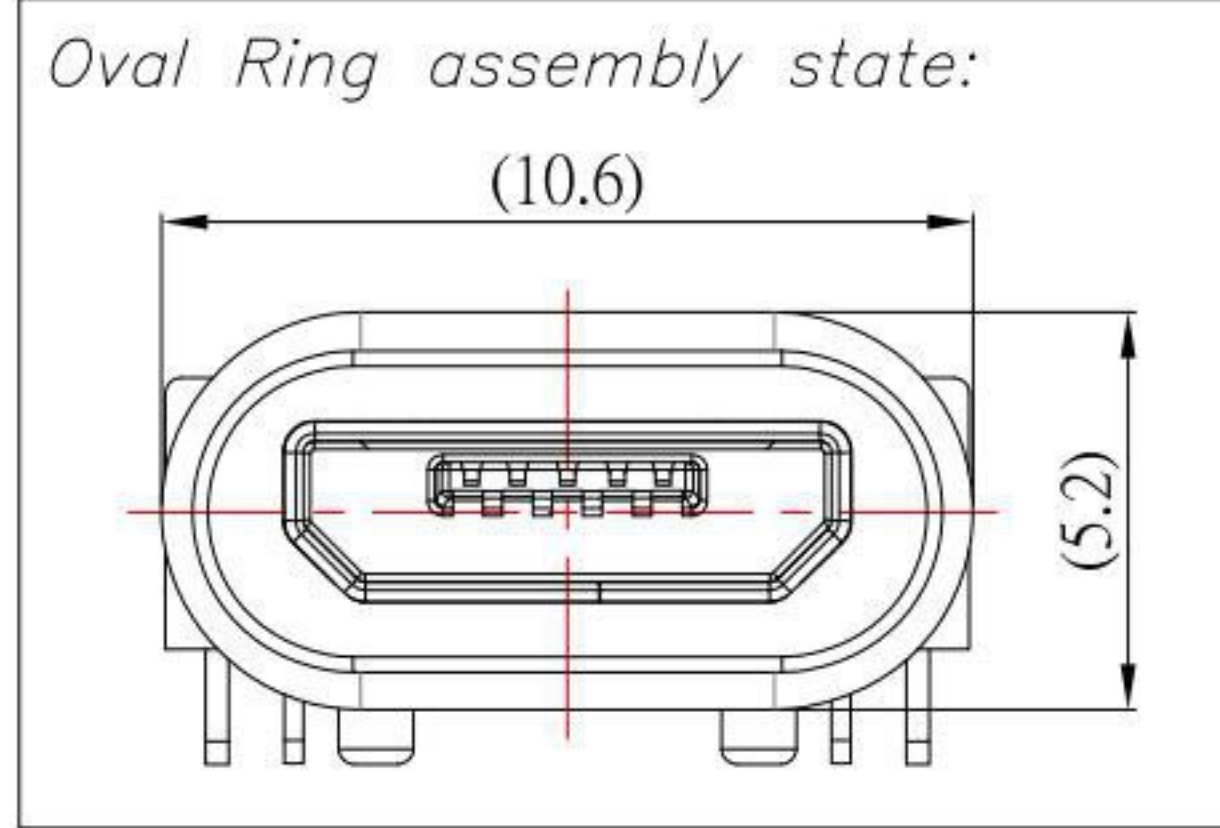
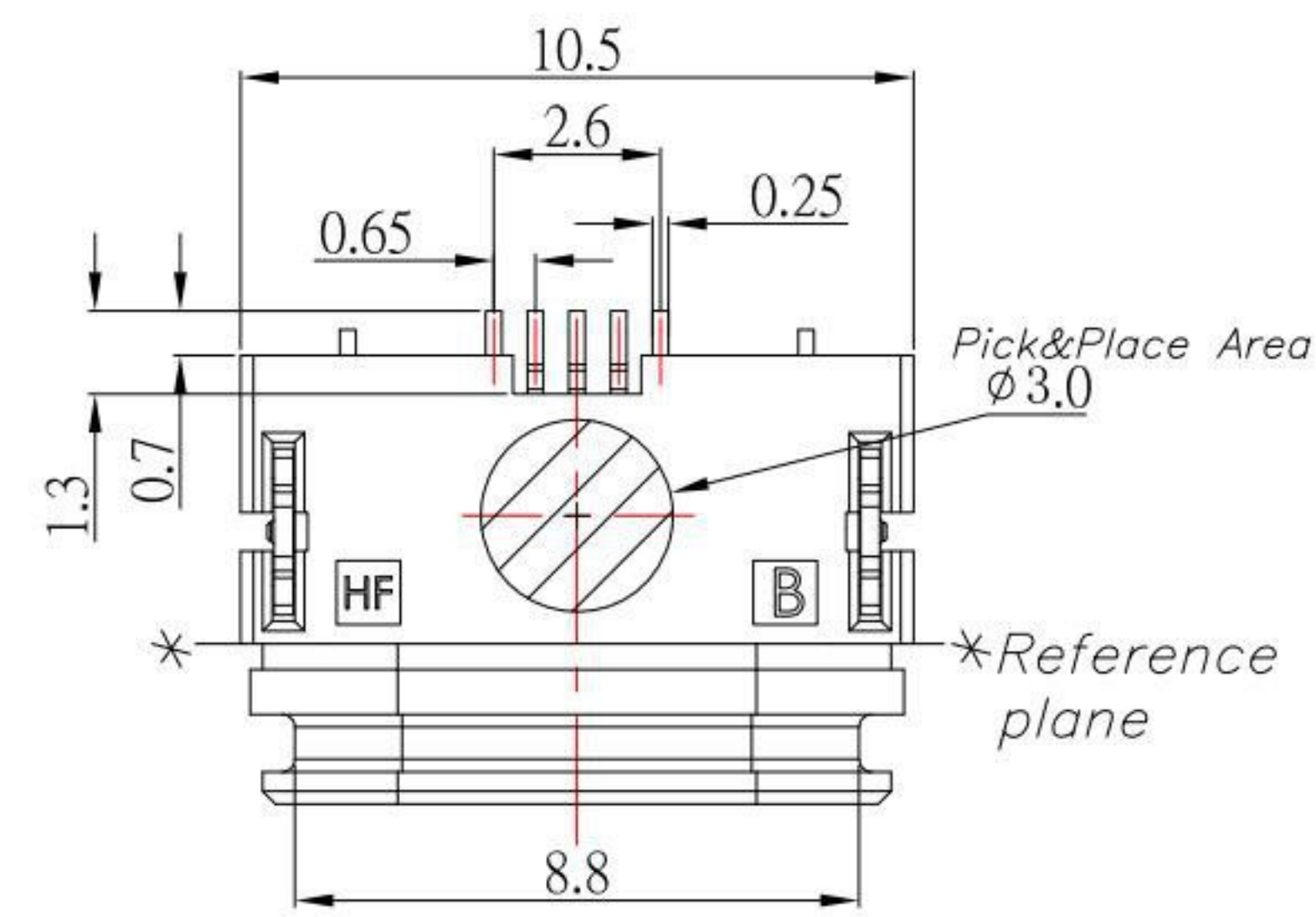
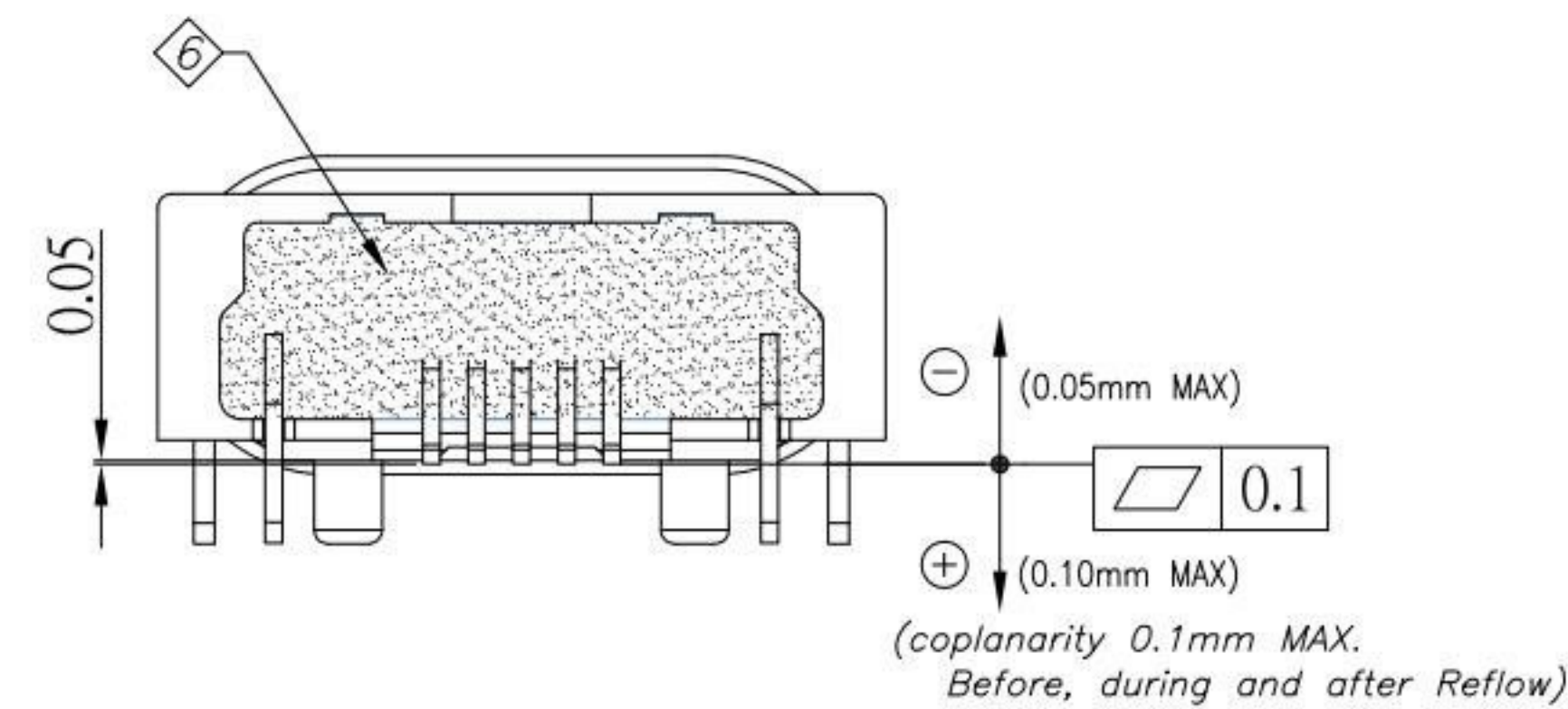
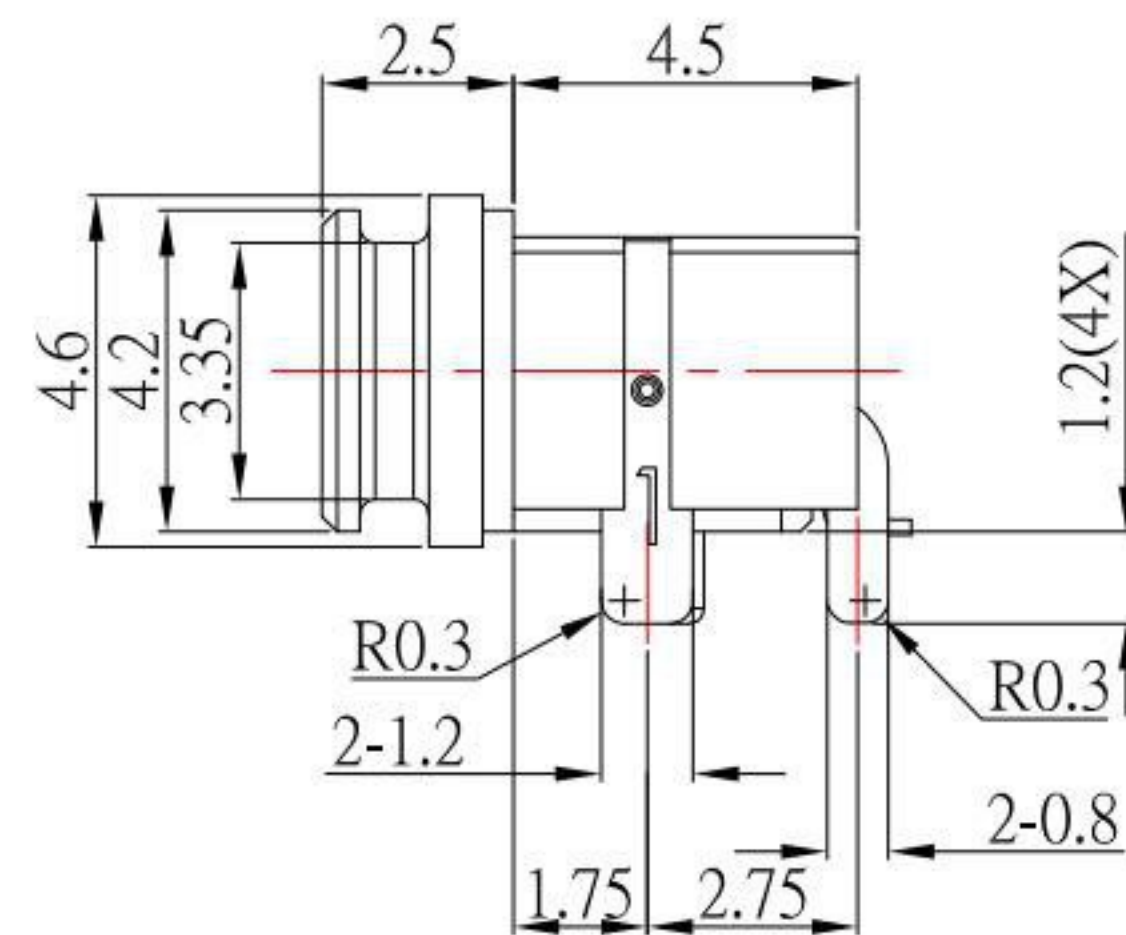
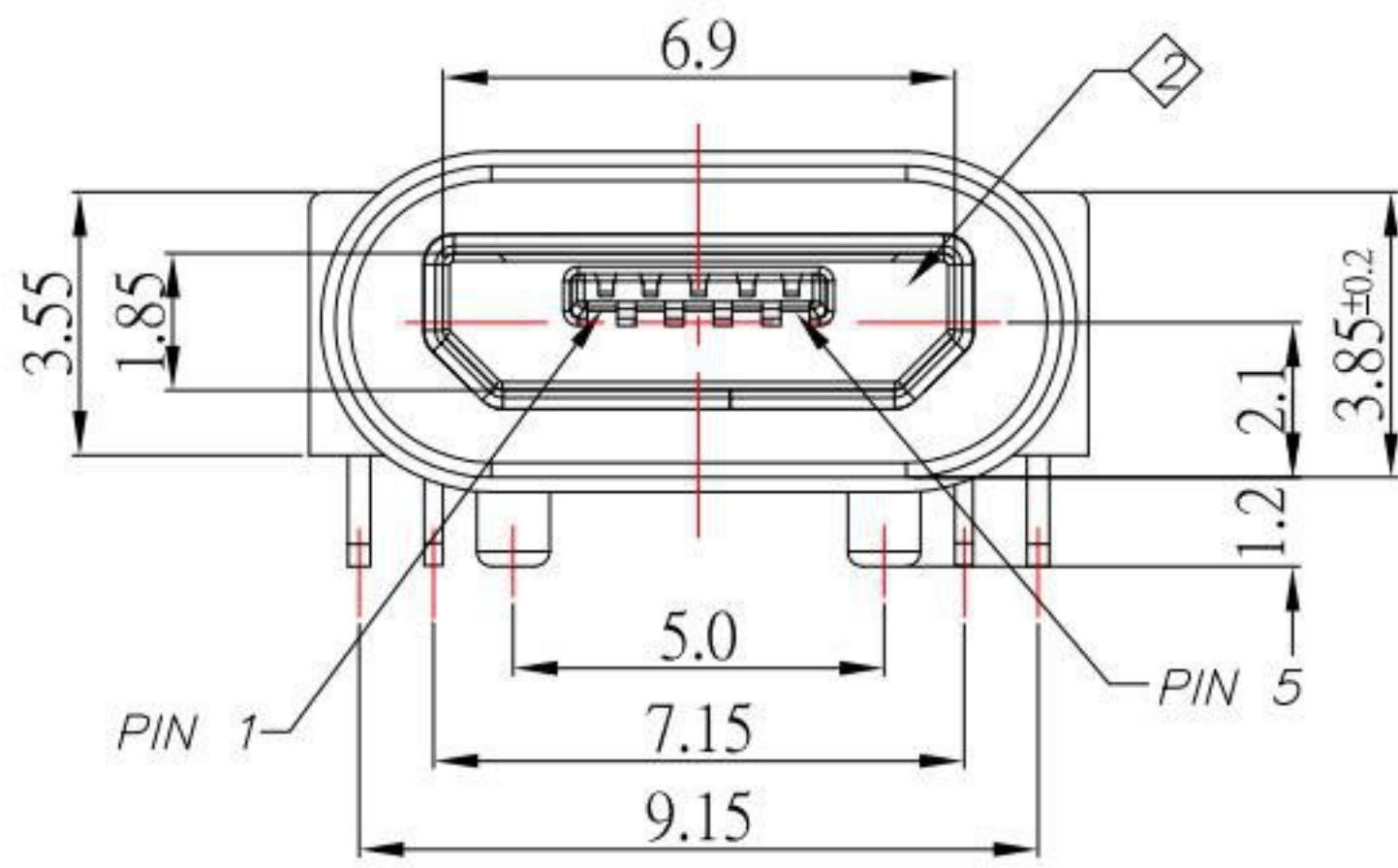


# IPX7



P.C.B LAYOUT MOUNTING PATTERN  
TOP VIEW



NOTES:

MATERIAL:

- 1.1 HOUSING: PA9T
- 1.2 INSERT MOLDING: LCP
- 1.3 CONTACT: COPPER ALLOY
- 1.4 SHELL: SUS
- 1.5 TERMINAL: BRASS
- 1.6 WATERPROOF RING: SILICONE RUBBER

FINISH:

- 2.1 CONTACT: PLATED GOLD IN MATING AREA ;  
TIN PLATED ON SOLDER BALLS ;  
NICKEL UNDER PLATED OVERALL

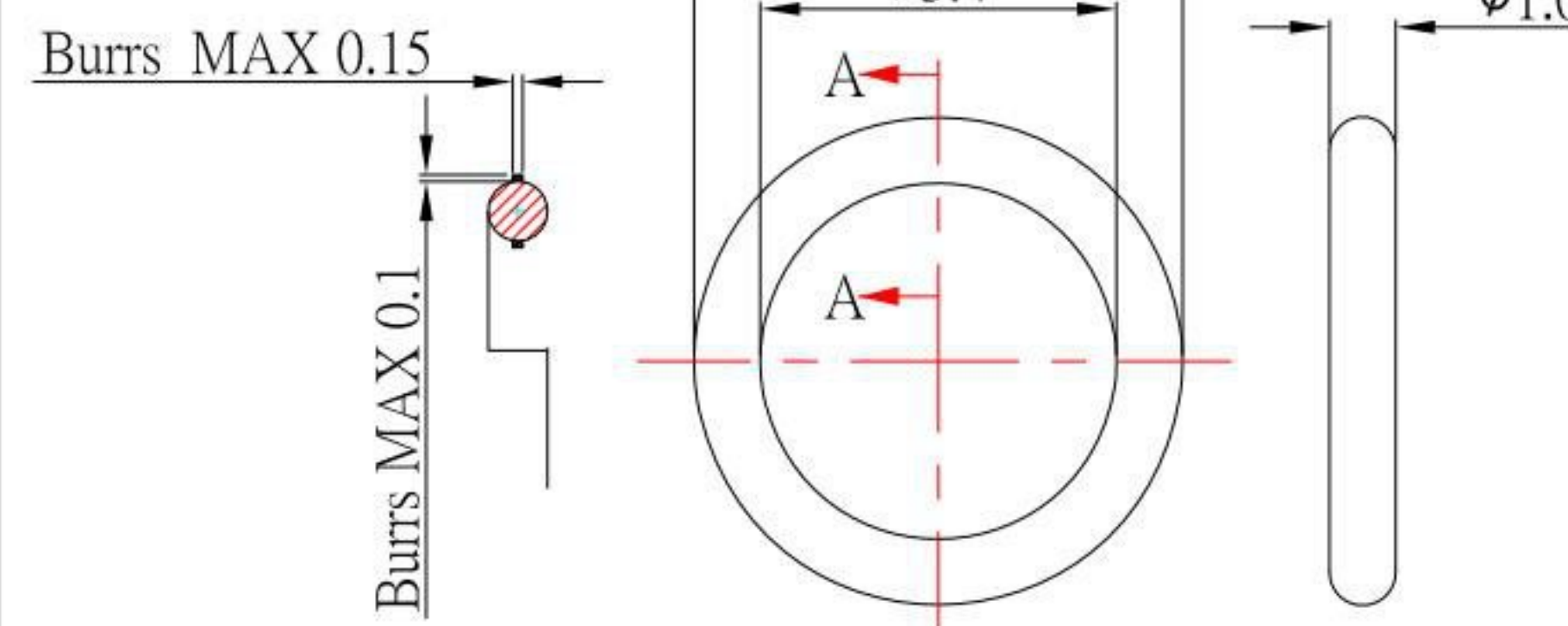
- 2.2 SHELL: NICKEL UNDER PLATED SURFACE LAYER

- 2.3 TERMINAL: TIN PLATED

3.SPECIFICATION:

- 3.1 RATING: 1.8A(PIN1&5) , 0.5A(PIN2&3&4)
- 3.2 DIELECTRIC WITHSSTANDING VOLTAGE: 300 VAC
- 3.3 CONTACT RESISTANCE: 30 mΩ MAX.
- 3.4 INSULATION RESISTANCE: 100 MΩ MIN.

Oval ring drawing:



P/N:PT-ORING-4-S404

Note:Waterproof ring need not assembled on the product, to form a complete set of product shipped separately.

5	新增ORING料號	Jack	031519
4	更新MODLE	Jack	030719
3	更新料號	Jack	030619
2	更新圖面	Jack	102318
1	更新為A0版	Jack	072018
ITEM NO.	DESCRIPTION	DRAWN	DATE

**KSD** 科斯达电子科技有限公司  
SWITCH CONNECTOR 全球互聯零組件製造企業  
**KSD ELECTRONIC TECHNOLOGY Co., LTD**

TOLERANCE UNLESS OTHERWISE STATED:	Up to 5 ±0.2	3RD. ANGEL'S	UNITS	MM
	Above 5 ~ 15 ±0.3			
	Above 15 ~ 30 ±0.4			
	Above 30 ~ 50 ±0.5			
	Angle ±0.3°			

DRAWN BY:	DATE	MAT'L	TITLE	CONNECTOR
Jack Lu	03/15/19			
CHECKED BY:	DATE	FINISH	MODLE	MICRO USB 5PF B TYPE 防水型 IPX7 後檔板4.6mm
Jacky Chen	03/15/19			
APPROVED BY:	DATE	SCALE	DWG NO.	MRUSB-5B-WP7-S404
Tony Kao	03/15/19	1 : 1	PART NO.	MRUSB-5B-WP7-S404
SHEET NO.		1 of 1	SIZE	A4
			VER	R5