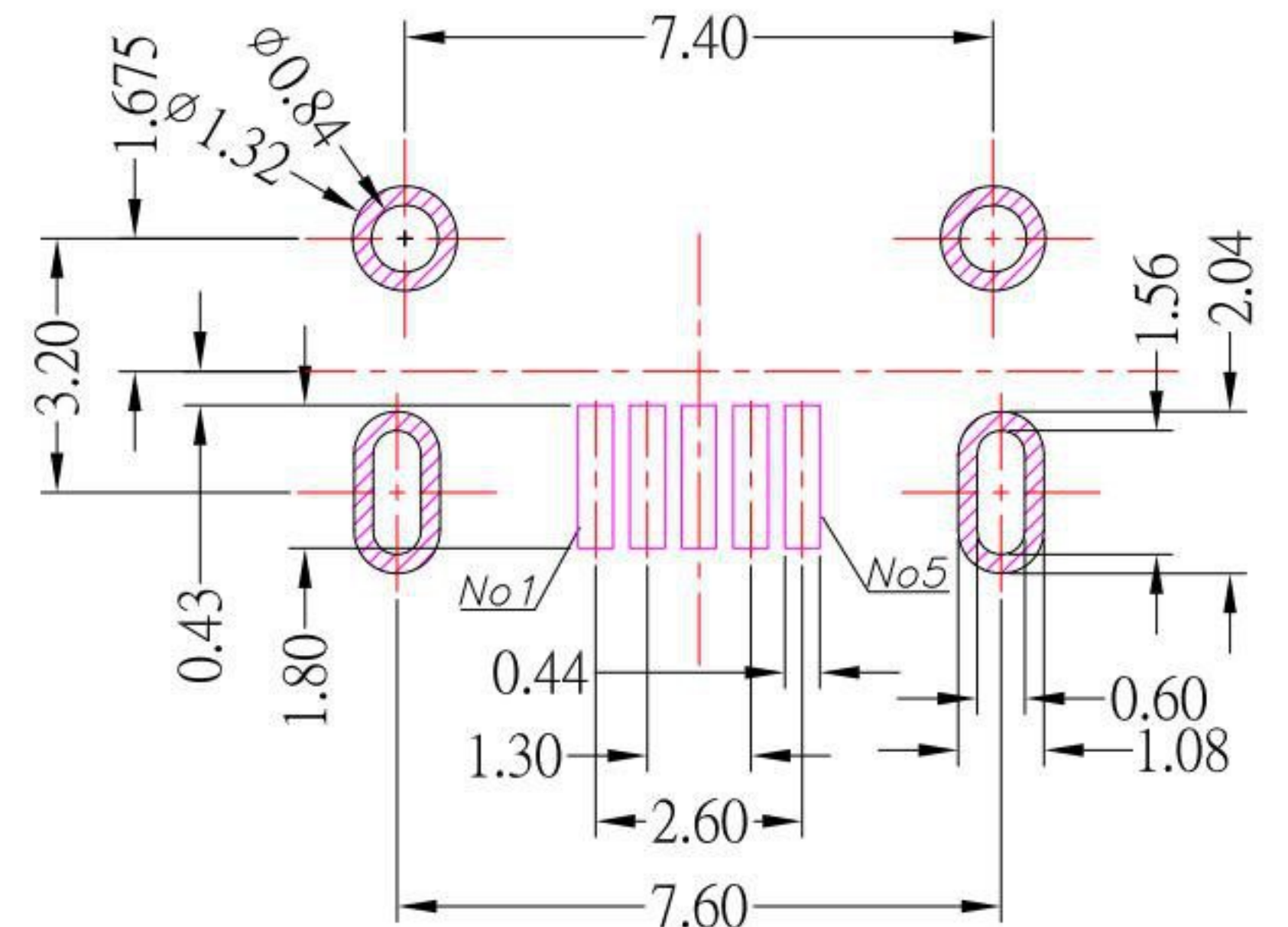
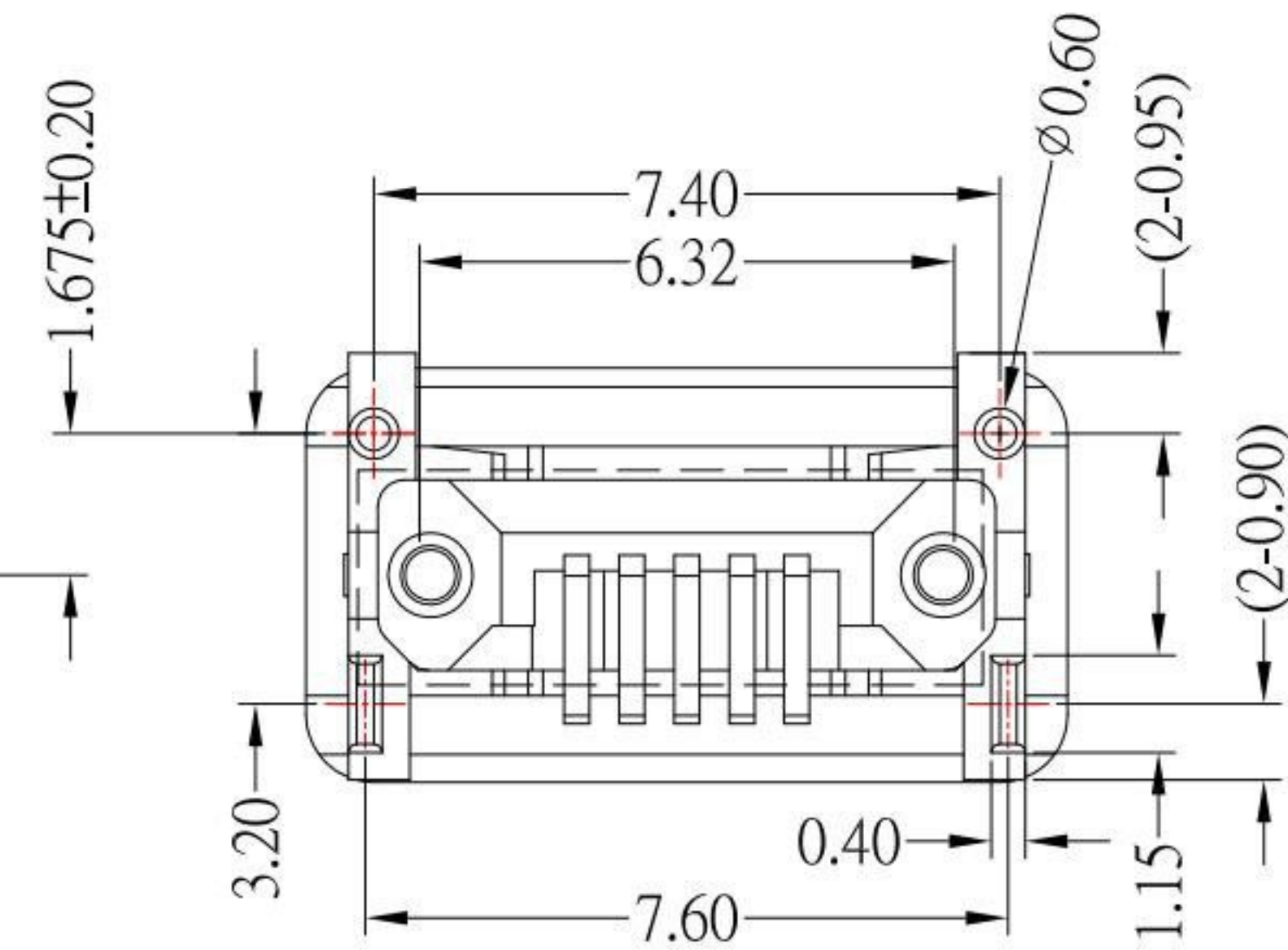
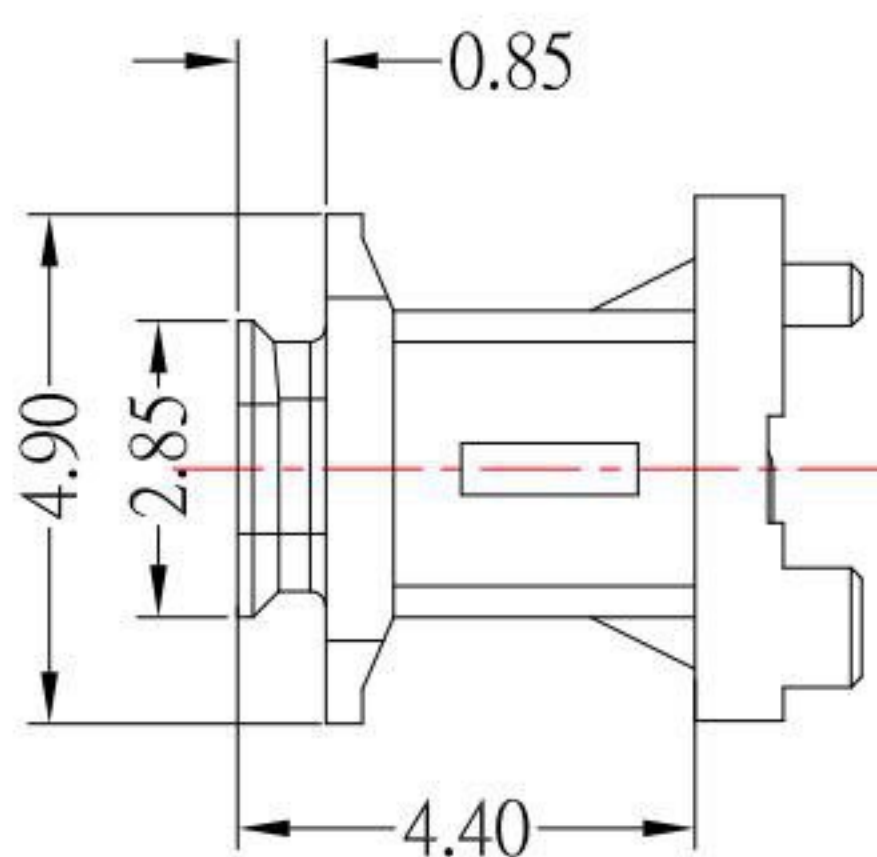
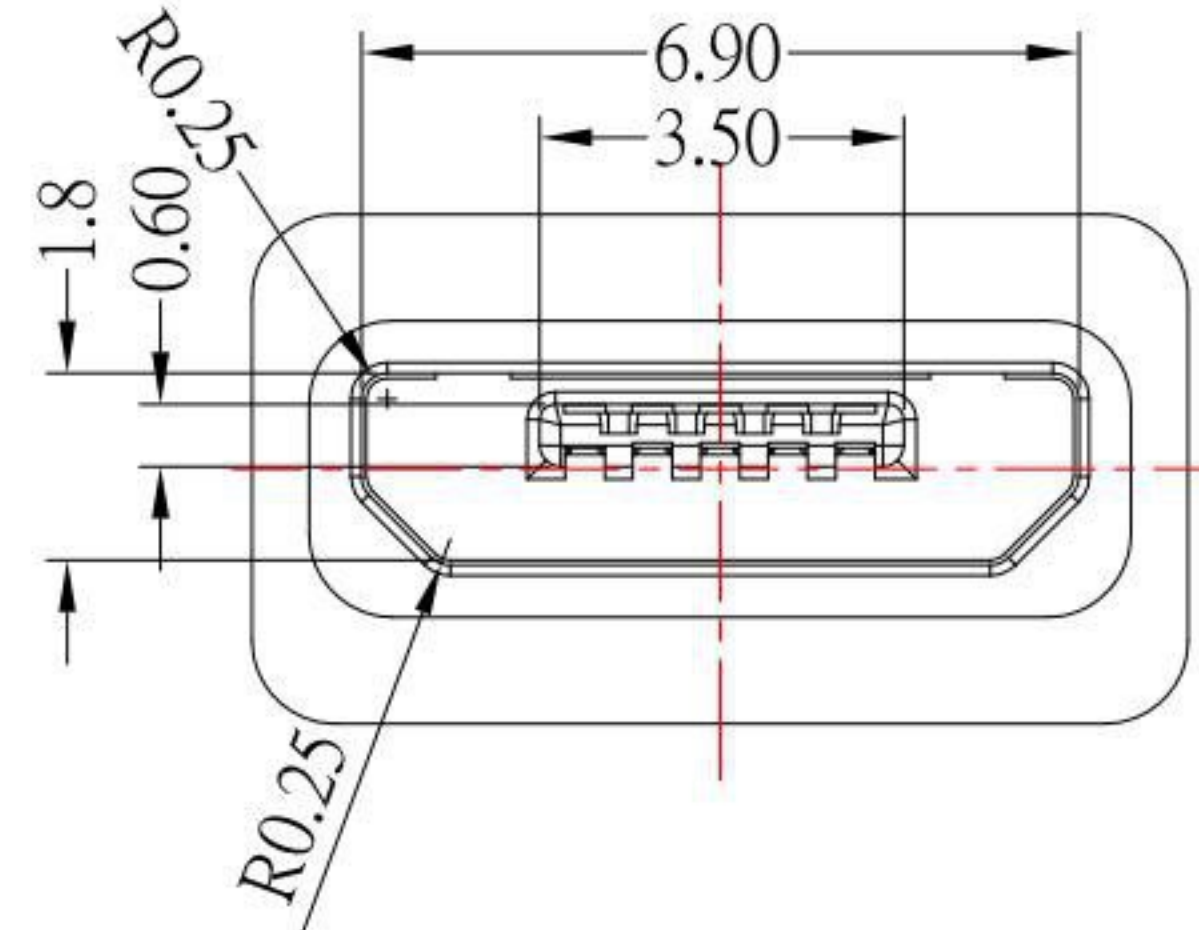


MRUSB-5B-WP9VB-x-S382

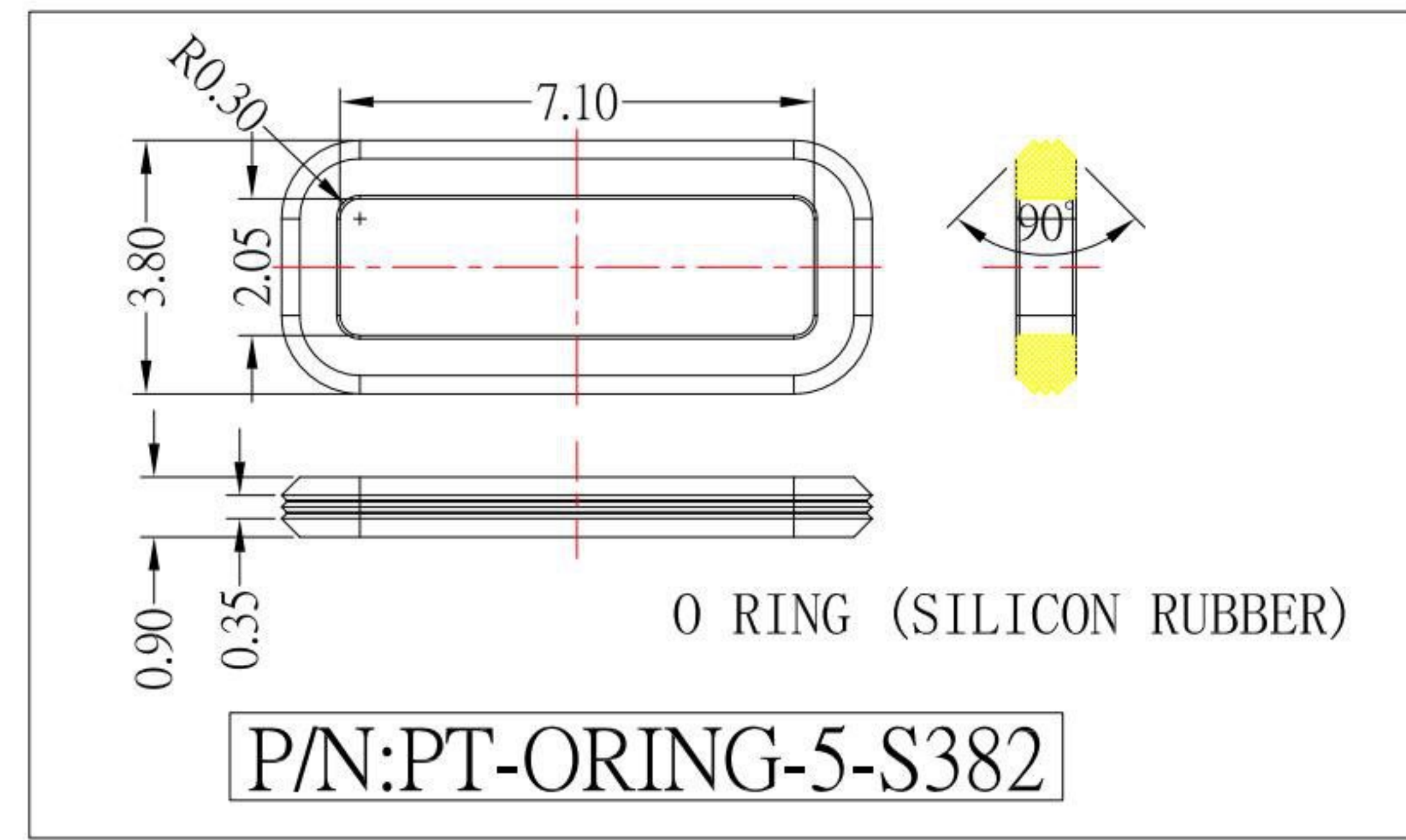
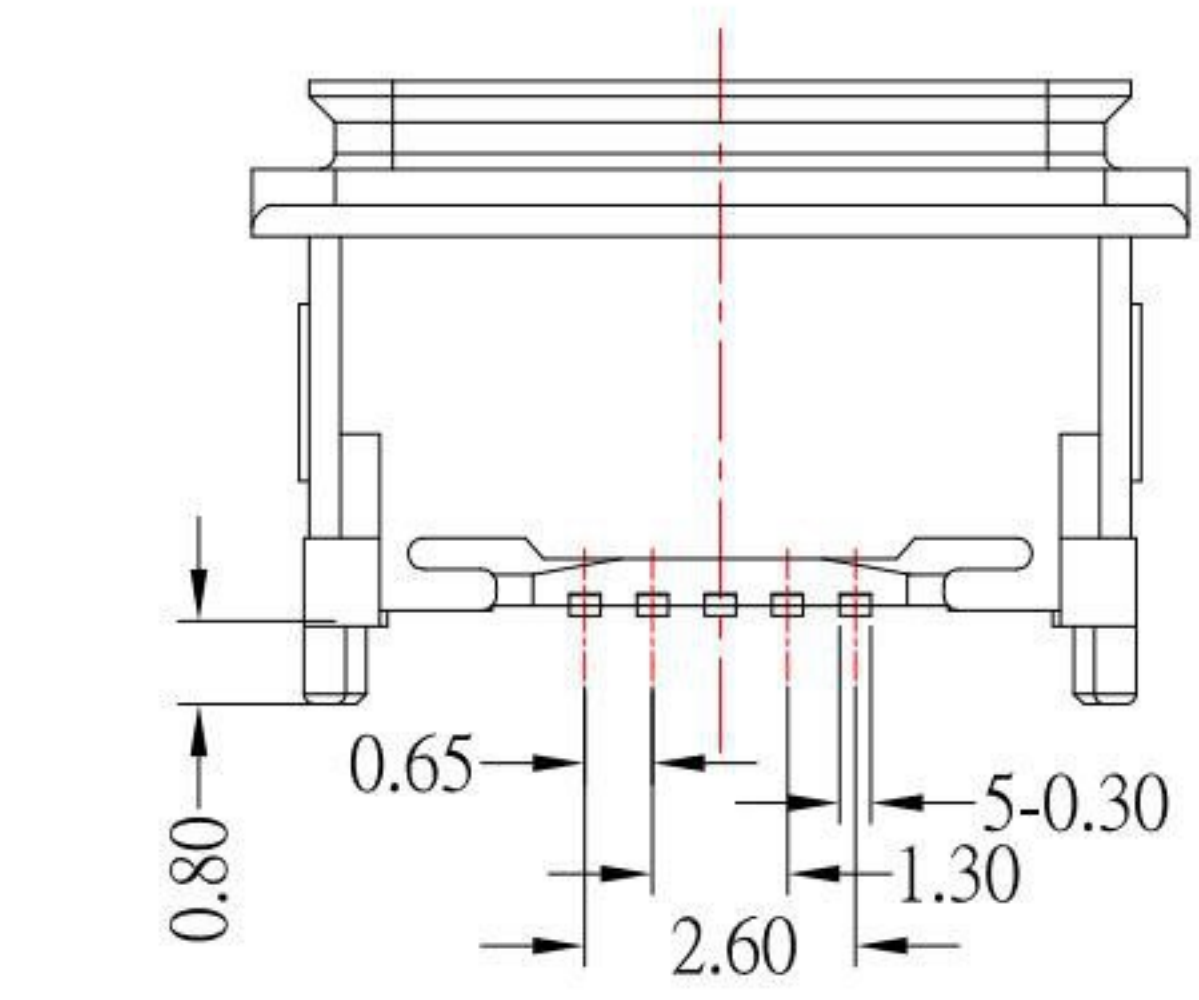
鍍層厚度：
Blank : 1u"
2 : 15u"
3 : 30u"



P.C.B LAYOUT MOUNTING PATTERN



- NOTES:
- MATERIAL:
- 1.1 HOUSING: LCP
 - 1.2 CONTACT: BRASS
 - 1.3 SHELL: SUS
- FINISH:
- 2.1 CONTACT: PLATED GOLD IN MATING AREA ;
GOLD PLATED ON SOLDER BALLS ;
NICKEL UNDER PLATED OVERALL
 - 2.2 SHELL: NICKEL UNDER PLATED SURFACE LAYER
- 3.SPECIFICATION:
- 3.1 RATING: 1.8 A(PIN1,5) ; 1.0A(PIN2,3,4) , 30VAC
 - 3.2 DIELECTRIC WITHSTANDING VOLTAGE: 100 VAC
 - 3.3 CONTACT RESISTANCE: 30 mΩ MAX.
 - 3.4 INSULATION RESISTANCE: 1000 MΩ MIN.



KSD 科斯达电子科技有限公司
SWITCH CONNECTOR KSD ELECTRONIC TECHNOLOGY Co., LTD
全球 互聯零組件製造企業

TOLERANCE UNLESS OTHERWISE STATED:
Up to 5 ±0.2
Above 5 ~ 15 ±0.3
Above 15 ~ 30 ±0.4
Above 30 ~ 50 ±0.5
Angle ±0.3°

3RD. ANGEL'S

UNITS MM

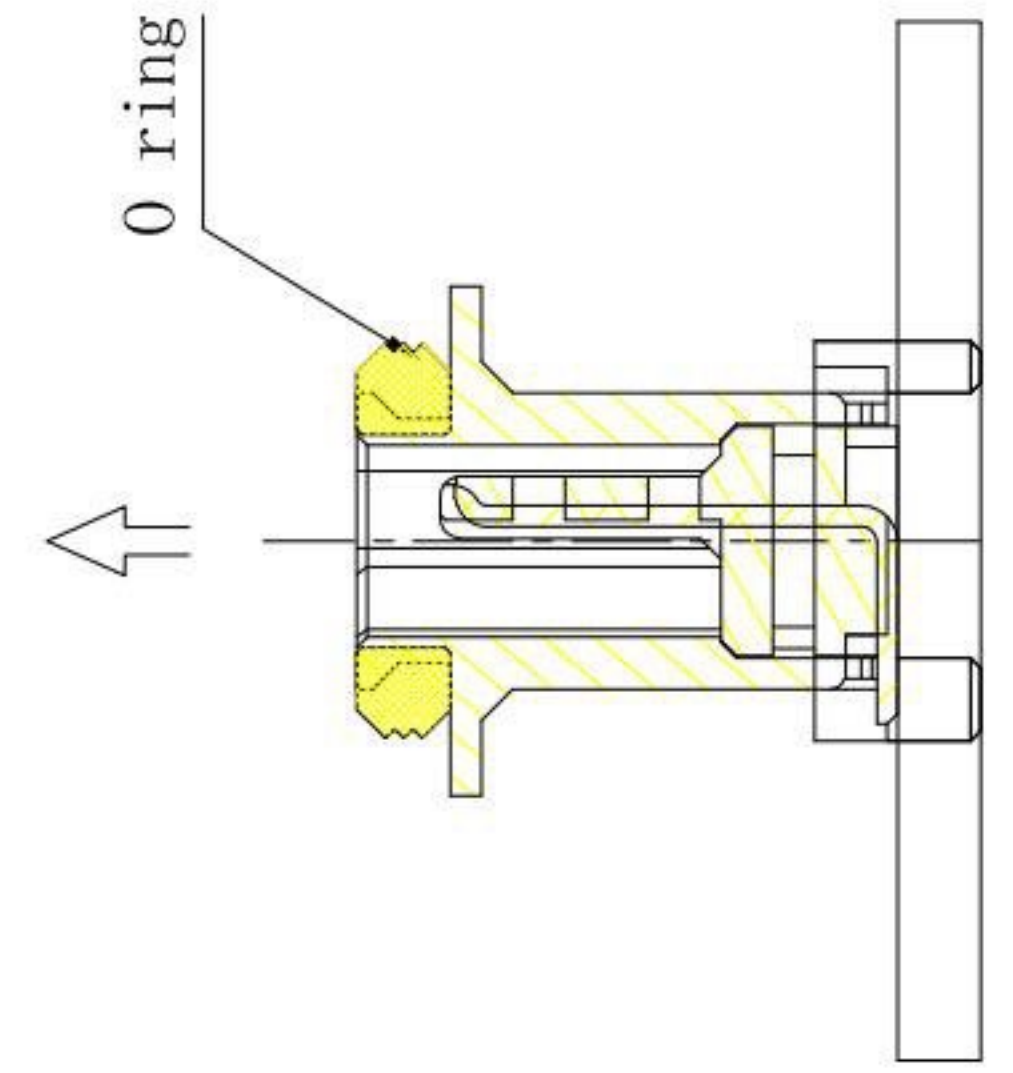
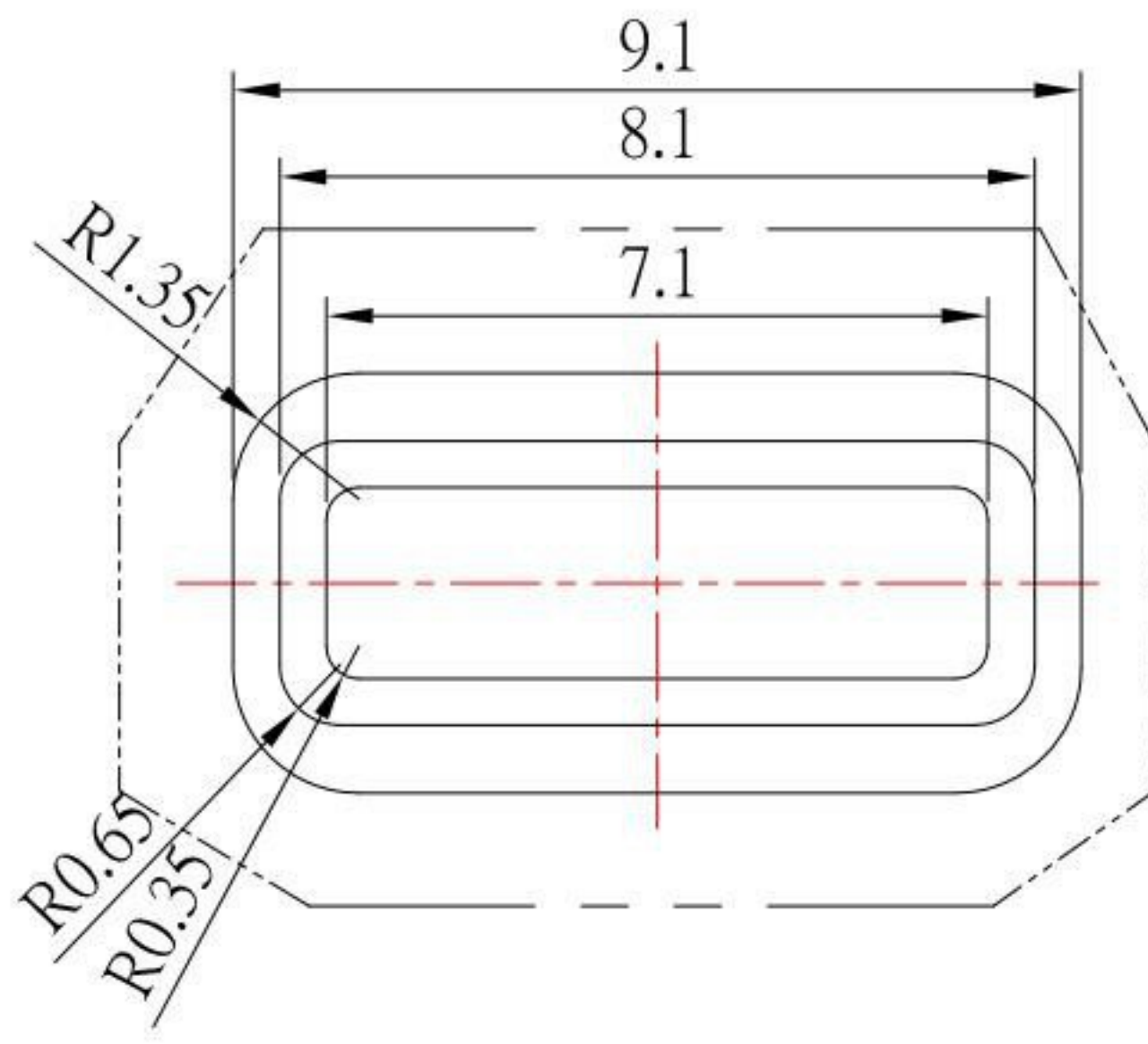
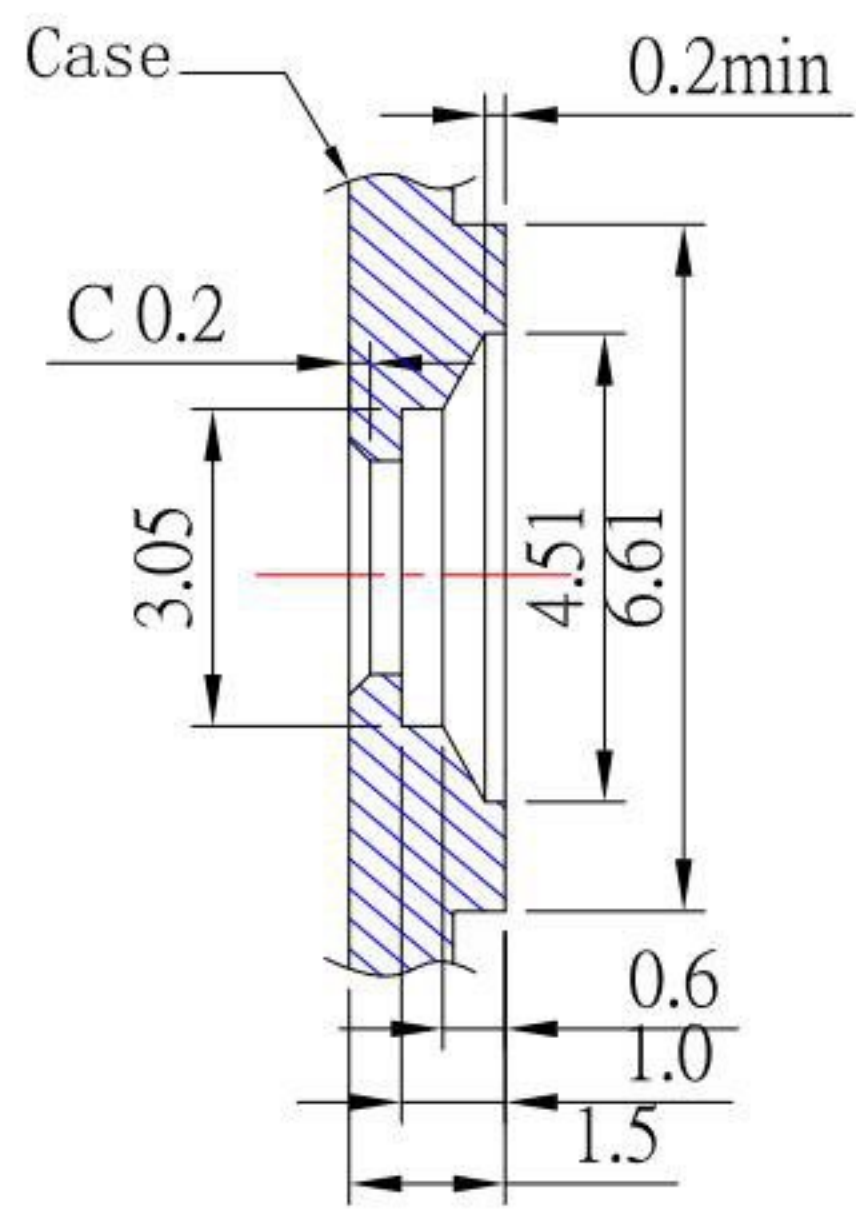
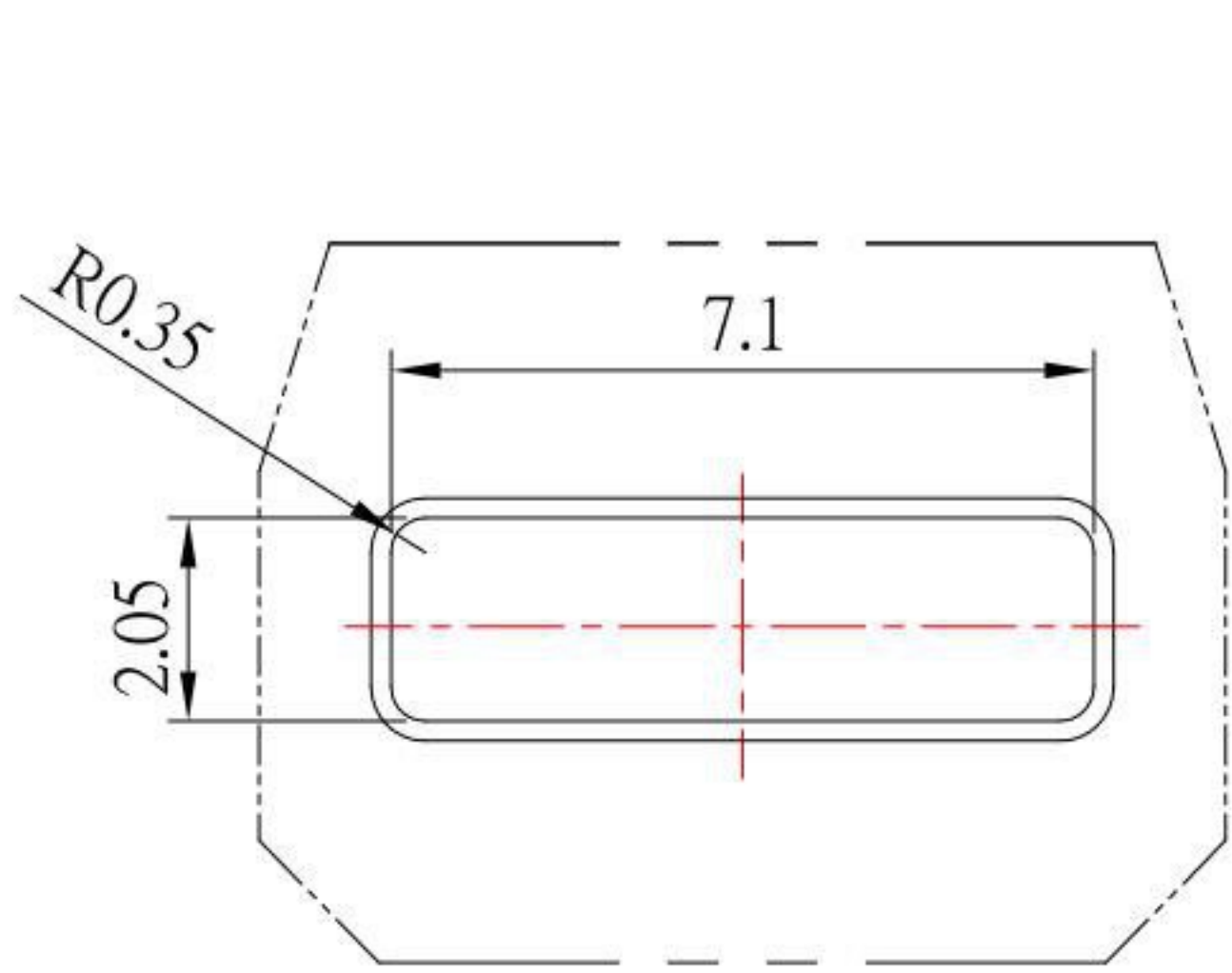
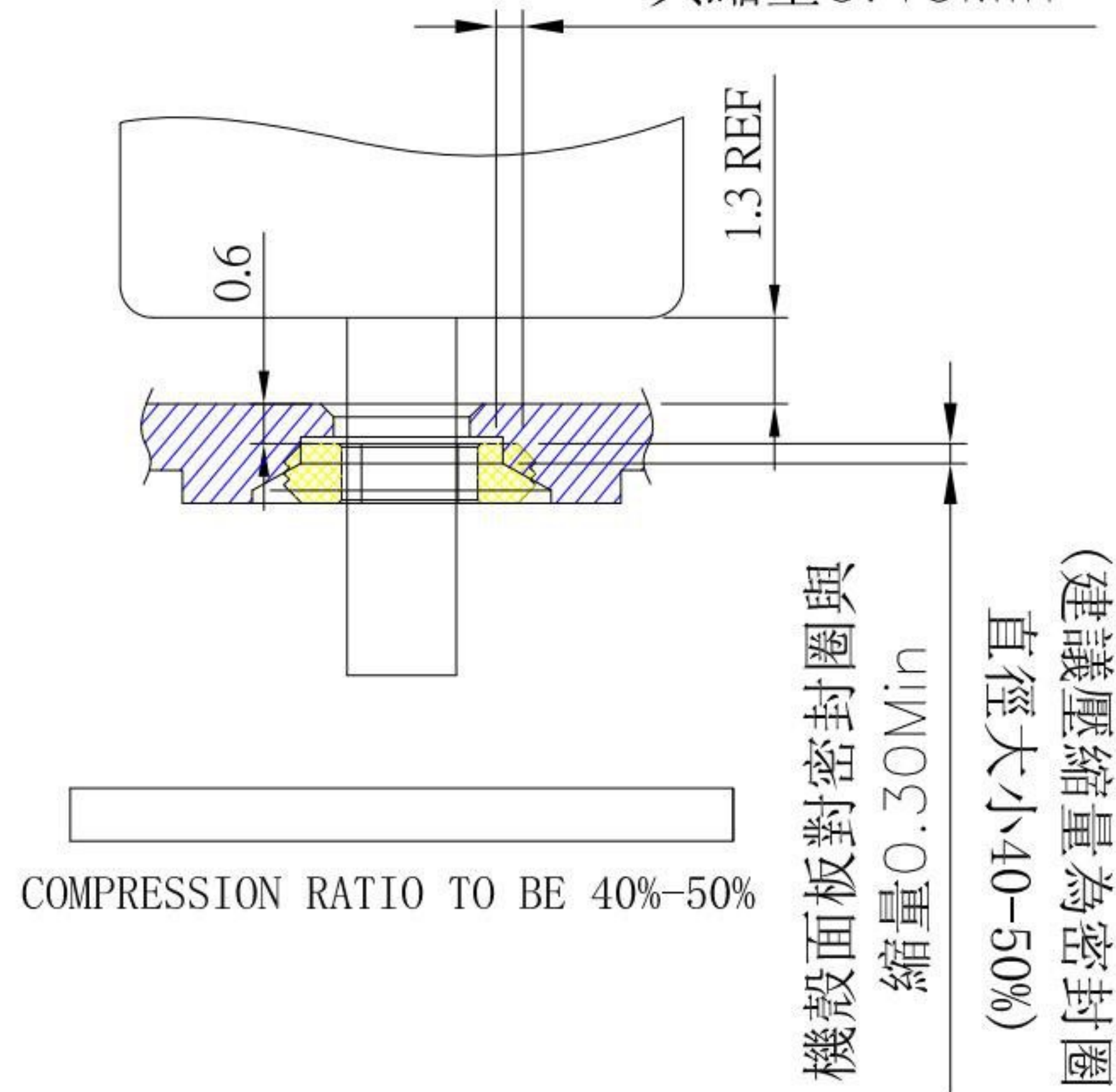
DRAWN BY:	DATE	MAT'L	TITLE	CONNECTOR
Jack Lu	06/30/21		MODLE	MICRO 5B/F 立式SMT IPX7 外殼腳: 1.15X0.4X0.75mm 支架寬 5.0 mm
CHECKED BY:	DATE	FINISH	DWG NO.	MRUSB-5B-WP9VB-x-S382
Jacky Chen	06/30/21		PART NO.	MRUSB-5B-WP9VB-x-S382
APPROVED BY:	DATE	SCALE	SHEET NO.	1 of 2
Tony Kao	06/30/21	1 : 1		

2	更新圖面	Jack	063021
1	更新MODLE	Jack	061721
ITEM NO.	DESCRIPTION	DRAWN	DATE

IPX7



機殼面板對密封圈
與縮量0.40Min



RECOMMENDED OPEN DIMENSION OF CASE

KSD 科斯达电子科技有限公司
SWITCH CONNECTOR KSD ELECTRONIC TECHNOLOGY Co., LTD
全球 互聯零組件 制造企业

TOLERANCE UNLESS OTHERWISE STATED:	Up to 5 ±0.2	Above 5 ~ 15 ±0.3	Above 15 ~ 30 ±0.4	Above 30 ~ 50 ±0.5	Angle ±0.3°
	3RD. ANGEL'S				
		UNITS	MM		

DRAWN BY:	DATE	MAT'L	TITLE	CONNECTOR
Jack Lu	06/30/21		MODLE	MICRO 5B/F 立式SMT IPX7 外殼腳: 1.15X0.4X0.75mm 支架寬 5.0 mm
CHECKED BY:	DATE	FINISH	DWG NO.	MRUSB-5B-WP9VB-x-S382
Jacky Chen	06/30/21		PART NO.	MRUSB-5B-WP9VB-x-S382
APPROVED BY:	DATE	SCALE	SHEET NO.	1 of 2
Tony Kao	06/30/21	1:1		

2	更新圖面	Jack	063021
1	更新MODLE	Jack	061721
ITEM NO.	DESCRIPTION	DRAWN	DATE