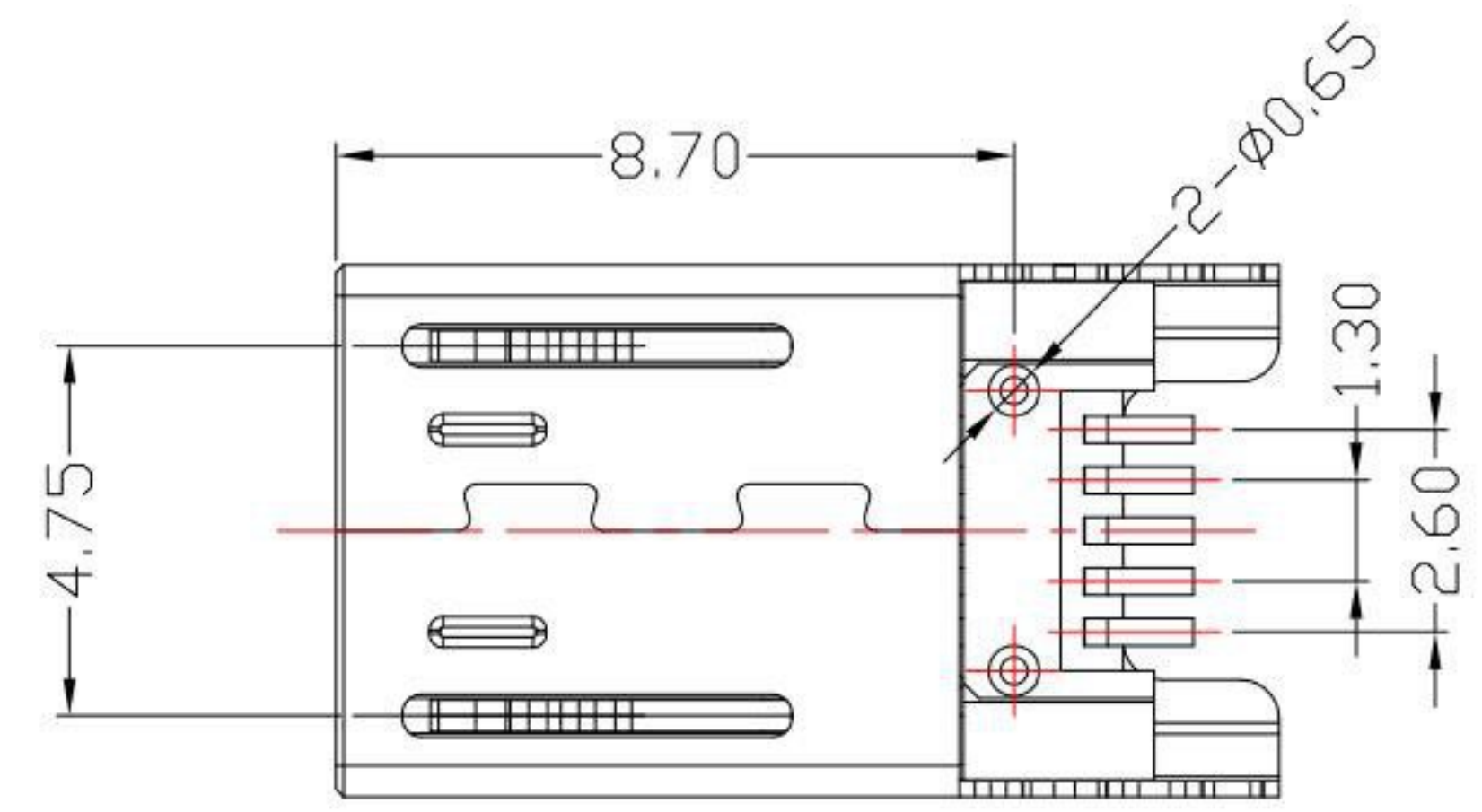


P.C.B LAYOUT MOUNTING PATTERN



SPECIFICATION:

1. RATING: 1.0 A , 30VAC
2. DIELECTRIC WITHSTANDING VOLTAGE: 100 VAC FOR 1min
3. CONTACT RESISTANCE: 30 mΩ MAX.
4. INSULATION RESISTANCE: 100 MΩ MIN.
5. LIFE: 5,000 CYCLES
6. TEMPERATURE RANGE: -30°C ~ +80°C

KSD 科斯达电子科技有限公司
SWITCH CONNECTOR KSD ELECTRONIC TECHNOLOGY Co., LTD
全球 互连零组件制造企业

TOLERANCE UNLESS OTHERWISE STATED:
Up to 5 ±0.2
Above 5 ~ 15 ±0.3
Above 15 ~ 30 ±0.4
Above 30 ~ 50 ±0.5
Angle ±0.3°

3RD. ANGEL'S

UNITS MM

DRAWN BY:	DATE	MAT'L	TITLE	CONNECTOR
Jack Lu	05/19/17			
CHECKED BY:	DATE	FINISH	MODLE	MICRO USB 5 P 公頭貼板反向
Jacky Chen	05/19/17			
APPROVED BY:	DATE	SCALE	DWG NO.	MRUSB-5PLM5-S235
Tony Kao	05/19/17	1 : 1	PART NO.	MRUSB-5PLM5-S235
		SHEET NO.	1 of 1	

ITEM NO.	DESCRIPTION	DRAWN	DATE