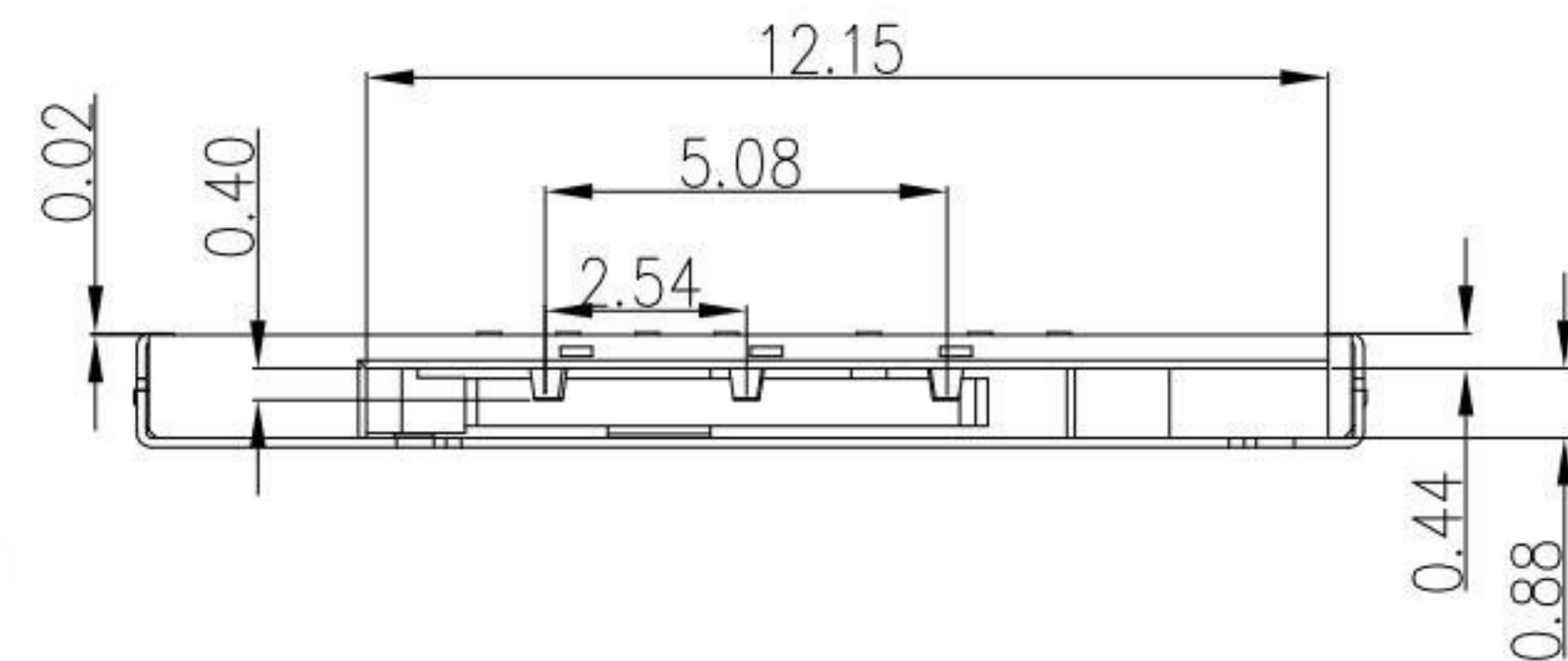




MSIM-0271G06-x-S304

鍍層厚度:

Blank : G/F
3 : 30u"



SPECIFICATION

Electrical :

- 1.Current Rating: 0.5A
- 2.Voltage Rating: 5V AC/DC
- 3.Contact Resistance: 100 mΩ Max.
- 4.Insulation Resistance: 1000 MΩ Min.

Environmental:

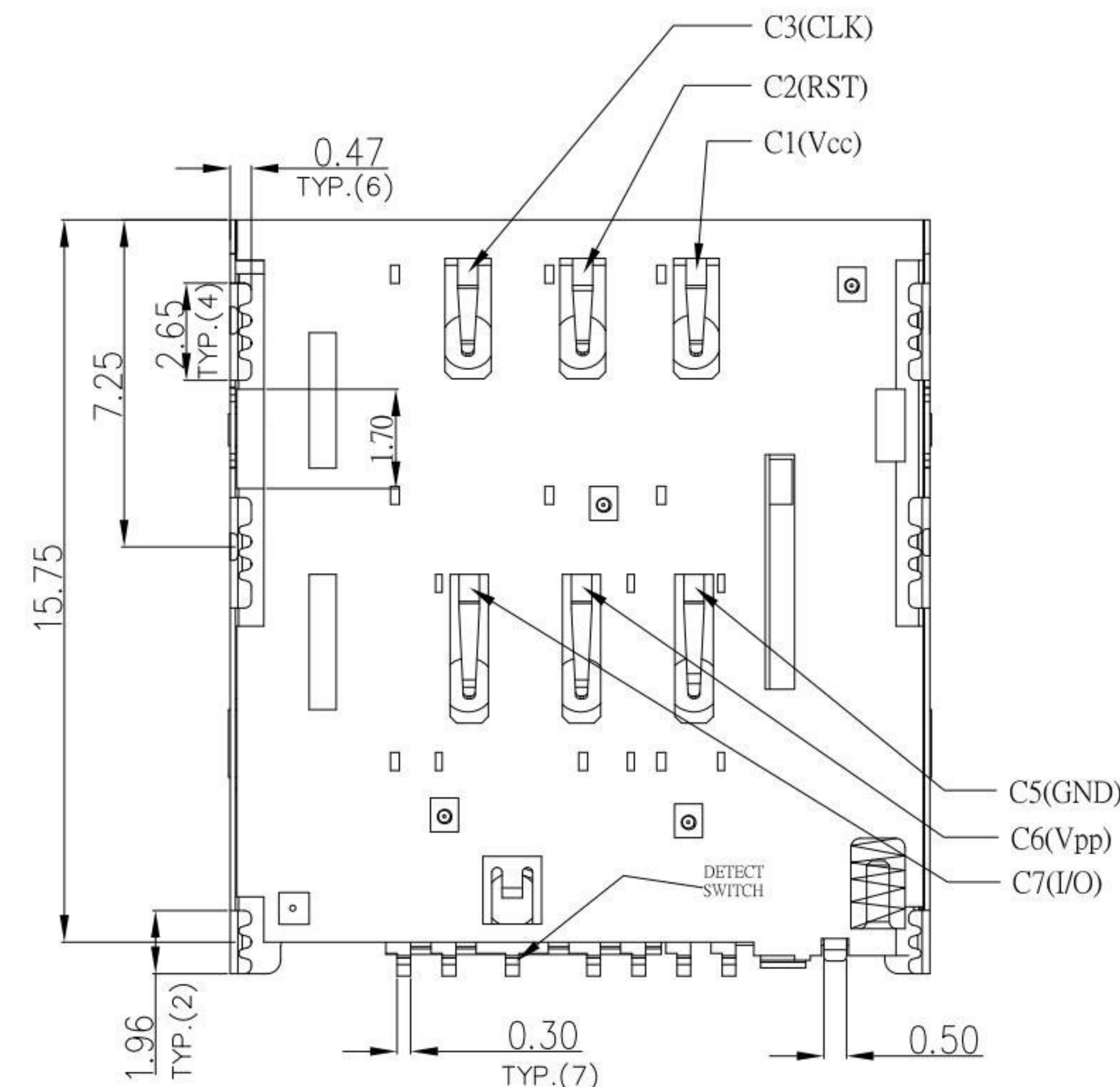
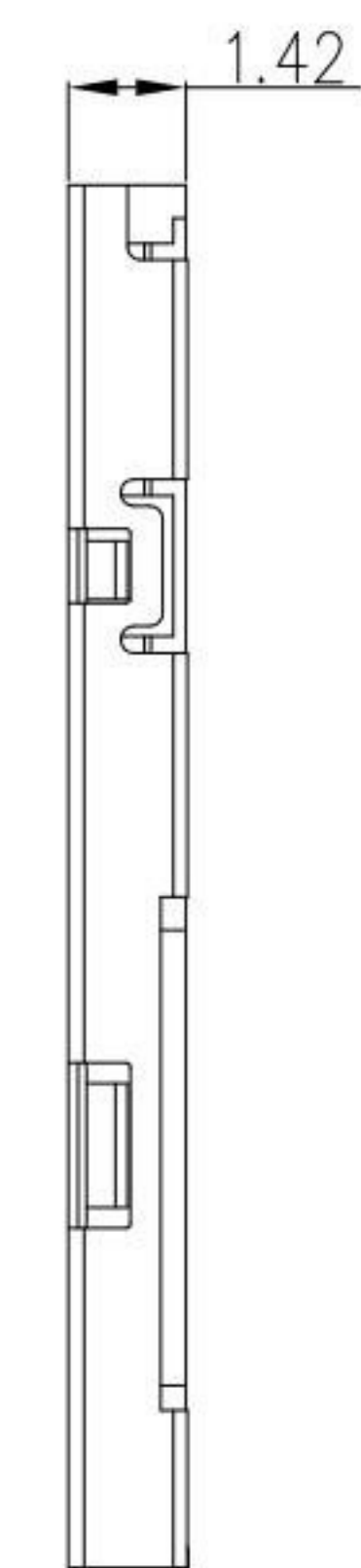
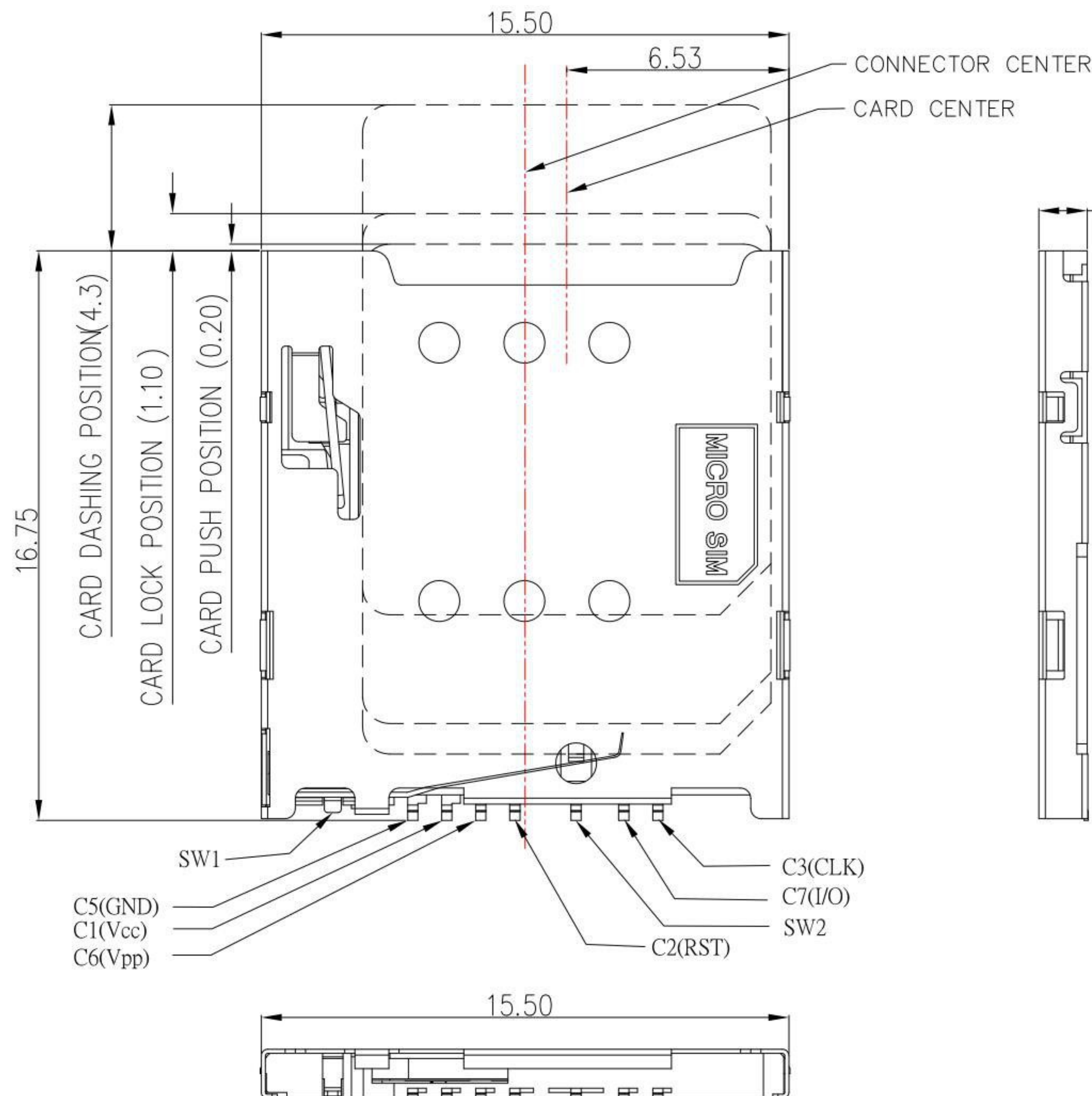
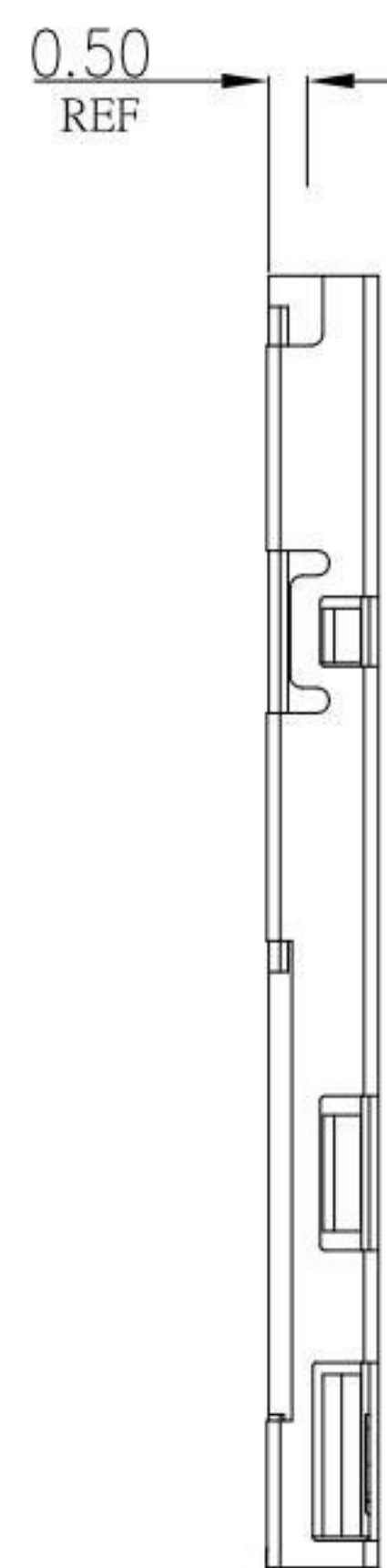
- 1.Operating Temperature: -40°C ~ +85°C.

Material:

- 1.Housing: LCP
- 2.Contact: Copper Alloy
- 3.Shell: Stainless Steel

Finish:

- 1.Contact: Plated Gold in Mating Area ;
Tin Plated on Solder Balls ;
Nickel under plated overall
- 2.Shell: Nickel under Plated surface layer

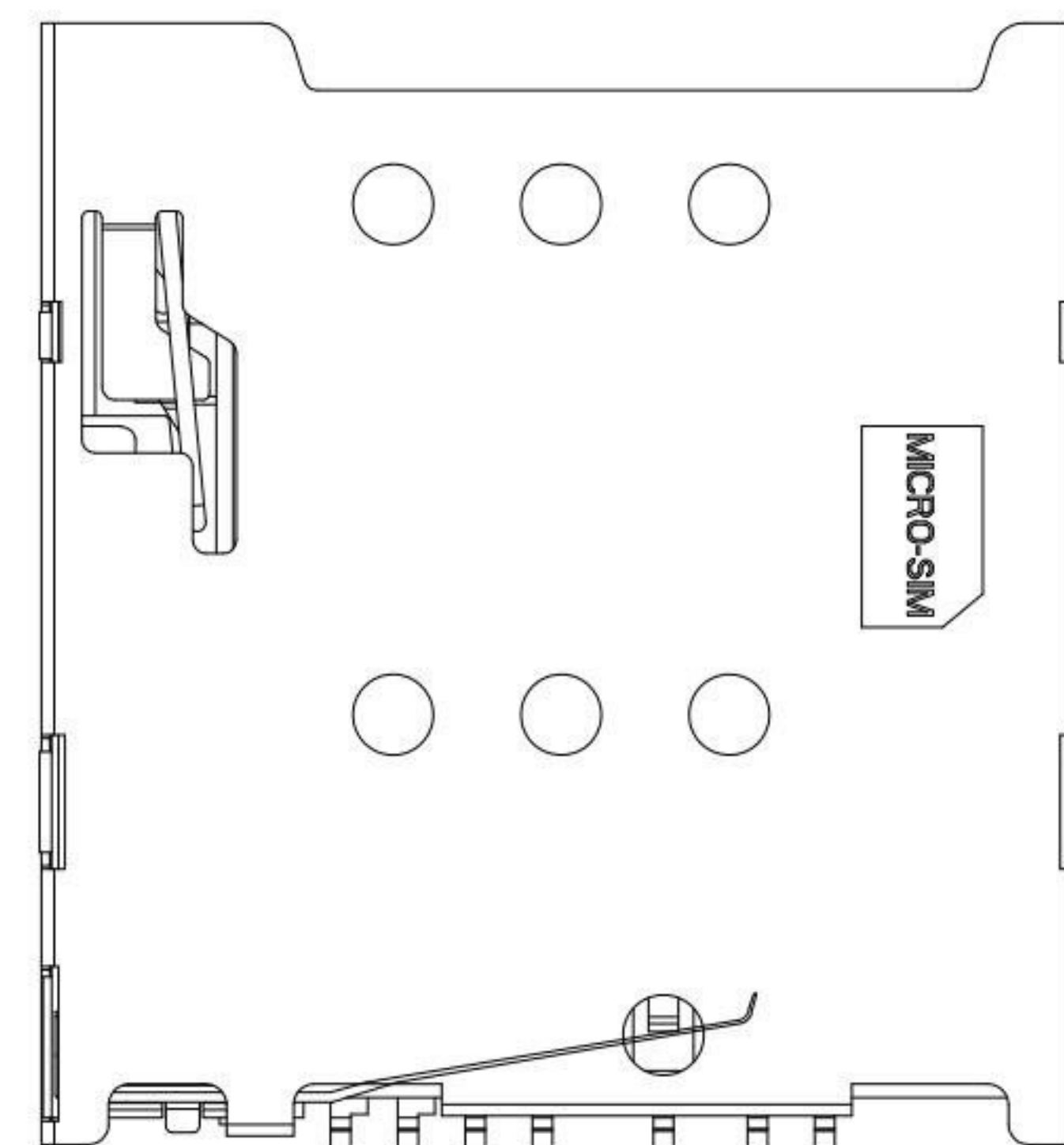
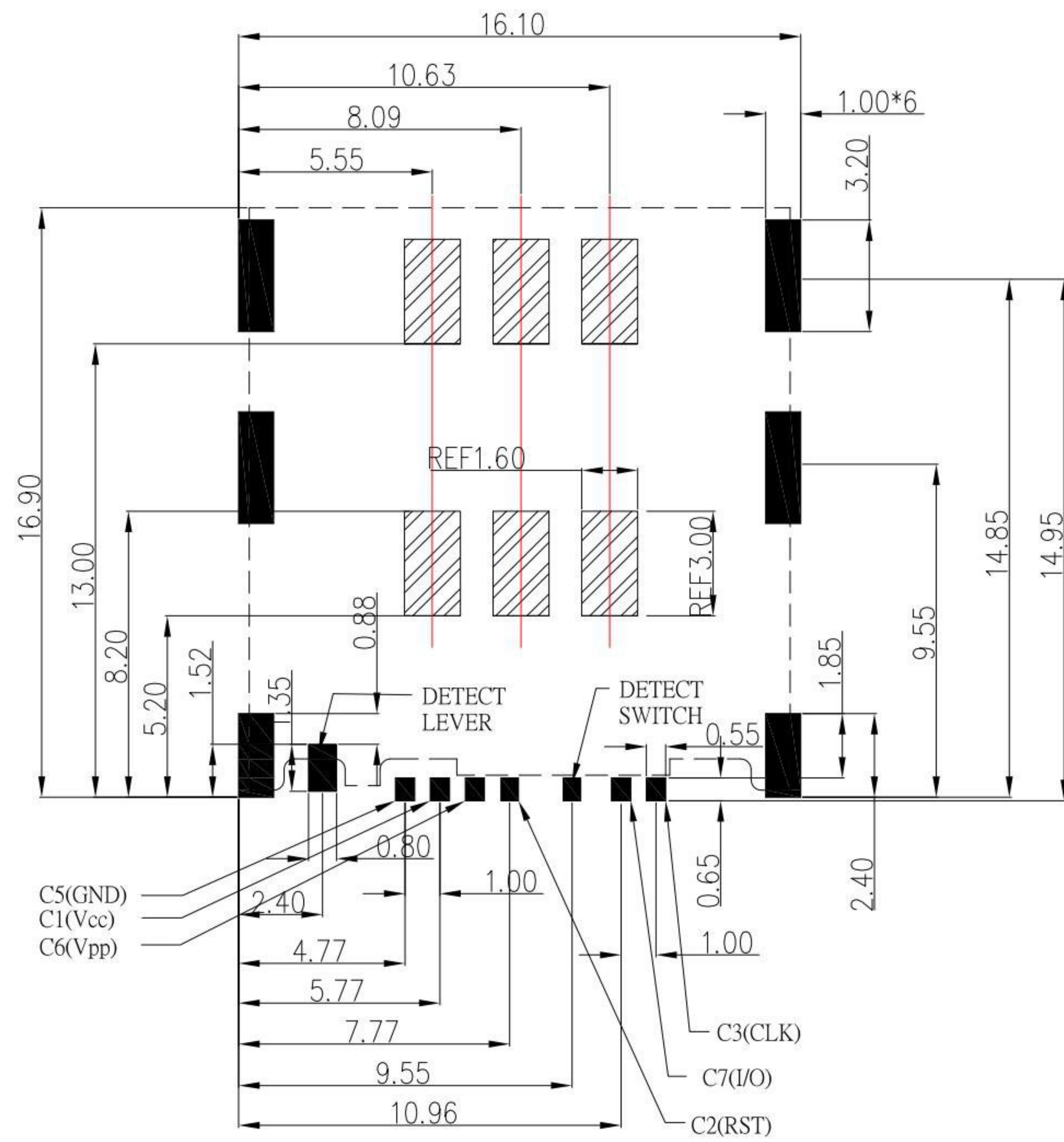


KSD 科斯达电子科技有限公司
 SWITCH CONNECTOR KSD ELECTRONIC TECHNOLOGY Co., LTD
 全球 互聯零組件製造企業

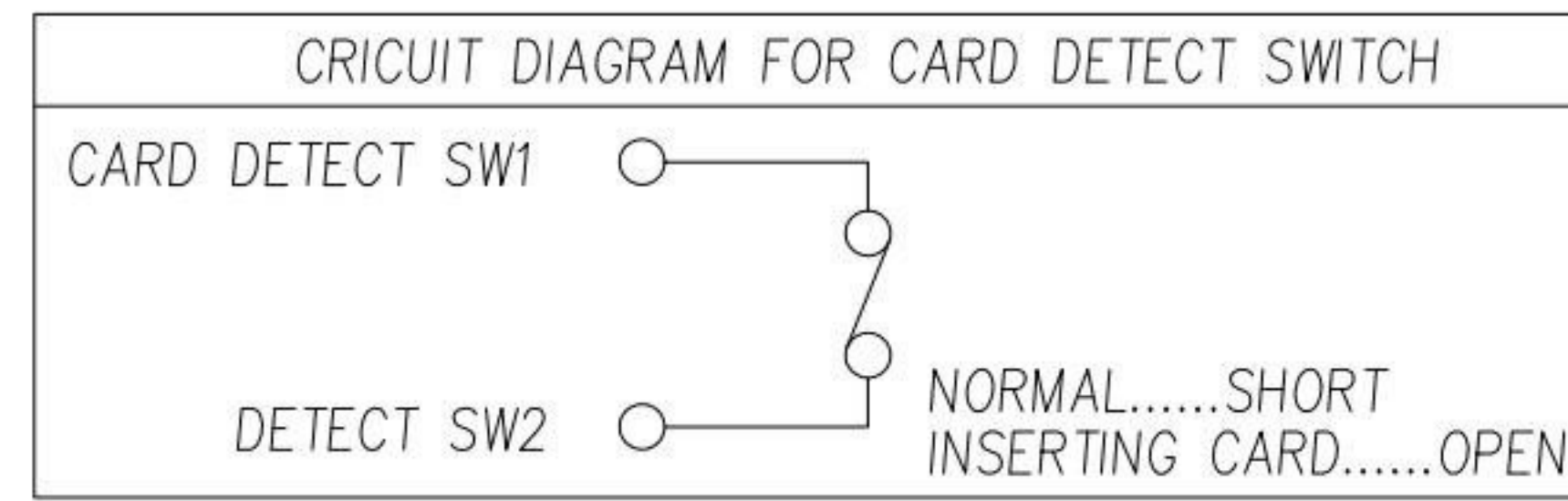
TOLERANCE UNLESS OTHERWISE STATED:	Up to 5 ±0.2	5 ~ 15 ±0.3	15 ~ 30 ±0.4	30 ~ 50 ±0.5	Angle ±0.3
	3RD. ANGEL'S				
	UNITS	MM			

DRAWN BY:	DATE	MAT'L	TITLE	CONNECTOR
Jack Lu	05/06/21			
CHECKED BY:	DATE	FINISH	MODLE	MICRO SIM PUSH. H142 防呆型
Jacky Chen	05/06/21			
APPROVED BY:	DATE	SCALE	DWG NO.	MSIM-0271G06-x-S304
Tony Kao	05/06/21	1 : 1		
		SHEET NO.	PART NO.	MSIM-0271G06-x-S304
		1 of 2		

ITEM NO.	DESCRIPTION	DRAWN	DATE
3	更新零件底部樣式	Jack	050621
2	更新樣式	LAN	041619
1	新增pin的定義	Jack	040319

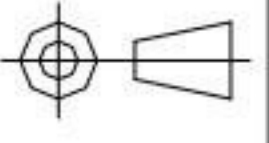


 PCB 線路禁止區域
 PCB AREA
RECOMMENDED PCB LAYOUT



KSD 科斯达电子科技有限公司
 SWITCH CONNECTOR KSD ELECTRONIC TECHNOLOGY Co., LTD
 全球 互聯零組件 制造企业

TOLERANCE UNLESS OTHERWISE STATED:
 Up to 5 ±0.2
 Above 5 ~ 15 ±0.3
 Above 15 ~ 30 ±0.4
 Above 30 ~ 50 ±0.5
 Angle ±0.3

3RD. ANGEL'S
 UNITS MM

ITEM NO.	DESCRIPTION	DRAWN	DATE
3	更新零件底部樣式	Jack	050621
2	更新樣式	LAN	041619
1	新增pin的定義	Jack	040319

DRAWN BY:	DATE	MAT'L	TITLE	CONNECTOR
Jack Lu	05/06/21			
CHECKED BY:	DATE	FINISH	MODLE	MICRO SIM PUSH. H142 防呆型
Jacky Chen	05/06/21			
APPROVED BY:	DATE	SCALE	DWG NO.	MSIM-0271G06-x-S304
Tony Kao	05/06/21	1:1		
SHEET NO.	2 of 2 <th>PART NO.</th> <td>MSIM-0271G06-x-S304</td> <td></td>	PART NO.	MSIM-0271G06-x-S304	
				SIZE A4
				VER R3