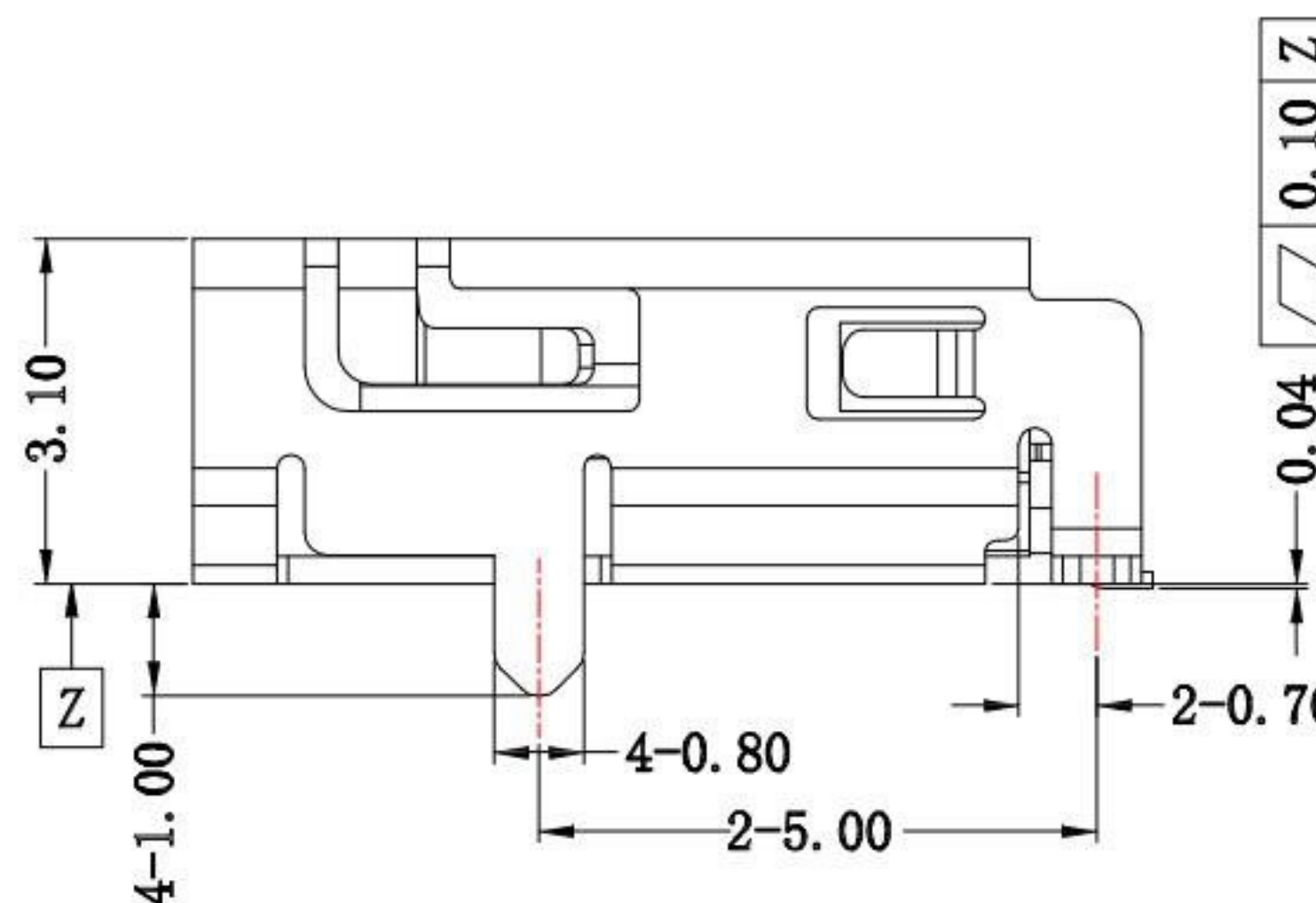
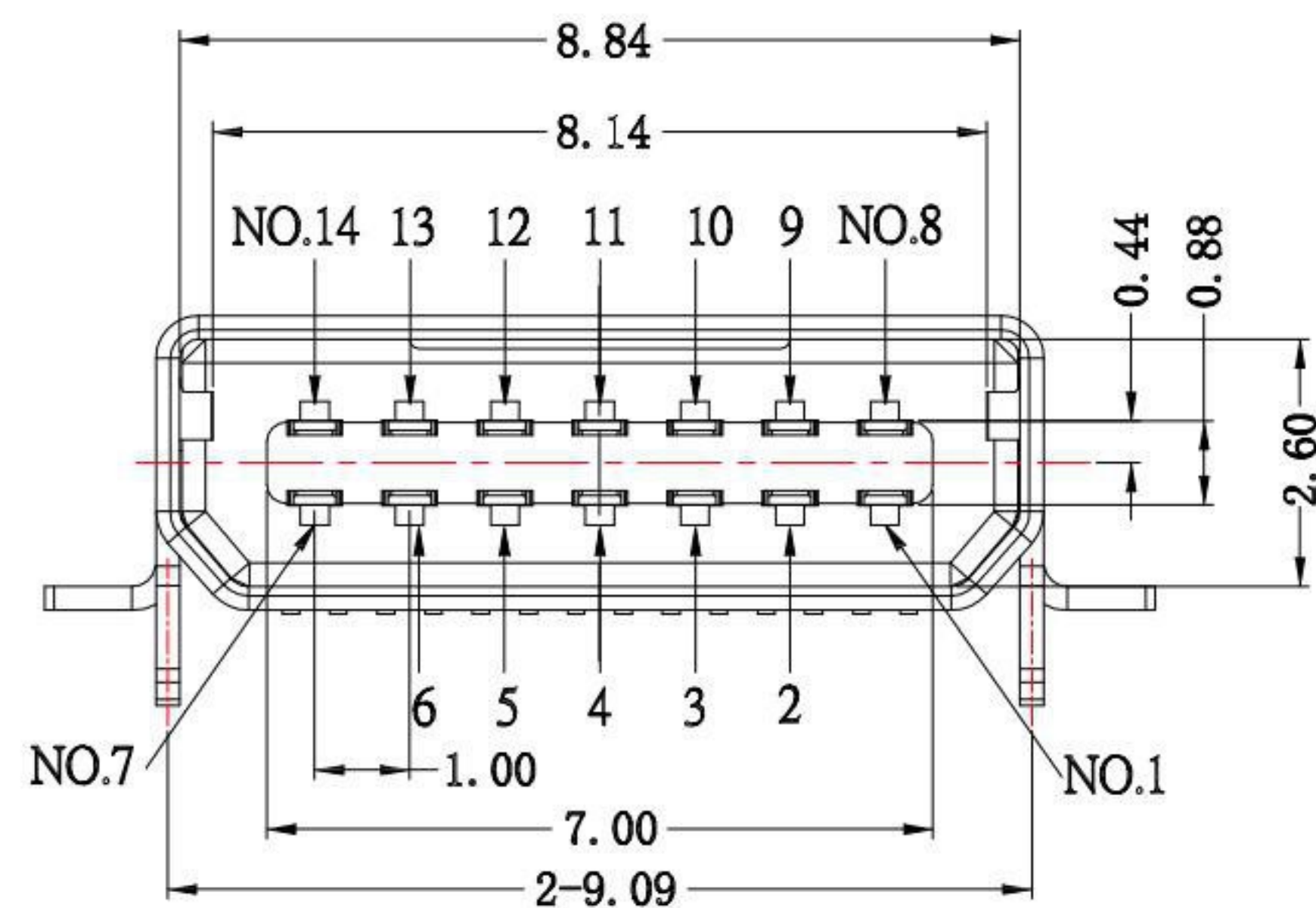
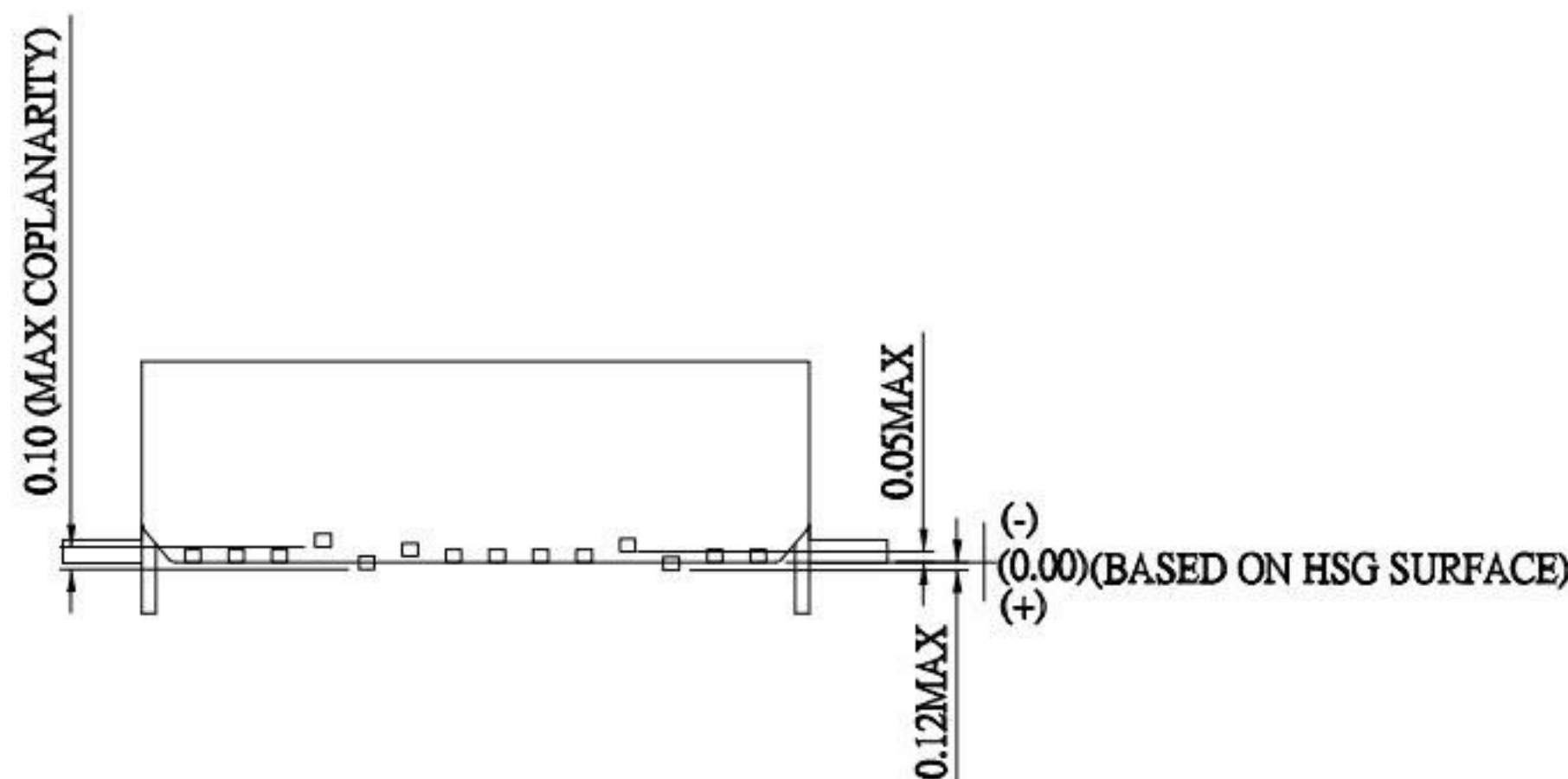


P.C.B LAYOUT MOUNTING PATTERN



**SPECIFICATIONS**

Material:

- 1.Housing: LCP,UL94V-0,Black
- 2.Contact: Phosphor Bronze
- 3.Shell: Phosphor Bronze

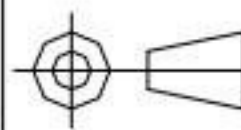
Finish:

- 1.Contact: Plated Gold in Mating Area ;  
Gold Plated on Solder Balls ;  
Nickel under plated overall
- 2.Shell: Tin under Plated surface layer

**KSD** 科斯达电子科技有限公司  
SWITCH CONNECTOR KSD ELECTRONIC TECHNOLOGY Co., LTD  
全球 互联零组件制造企业

TOLERANCE UNLESS OTHERWISE STATED :  
Up to 5 ±0.2  
Above 5 ~ 15 ±0.3  
Above 15 ~ 30 ±0.4  
Above 30 ~ 50 ±0.5  
Angle ±0.3°

3RD. ANGEL'S



UNITS MM

DRAWN BY: Jack Lu DATE: 09/10/15  
CHECKED BY: Jacky Chen DATE: 09/10/15  
APPROVED BY: Tony Kao DATE: 09/10/15

MAT'L		TITLE	CONNECTOR
FINISH		MODLE	MINI USB 14P 前插後貼
SCALE	1 : 1	DWG NO.	MUSB-14P-SDTN-S320
SHEET NO.	1 of 1	PART NO.	MUSB-14P-SDTN-S320

SIZE A4  
VER R

ITEM NO.	DESCRIPTION	DRAWN	DATE