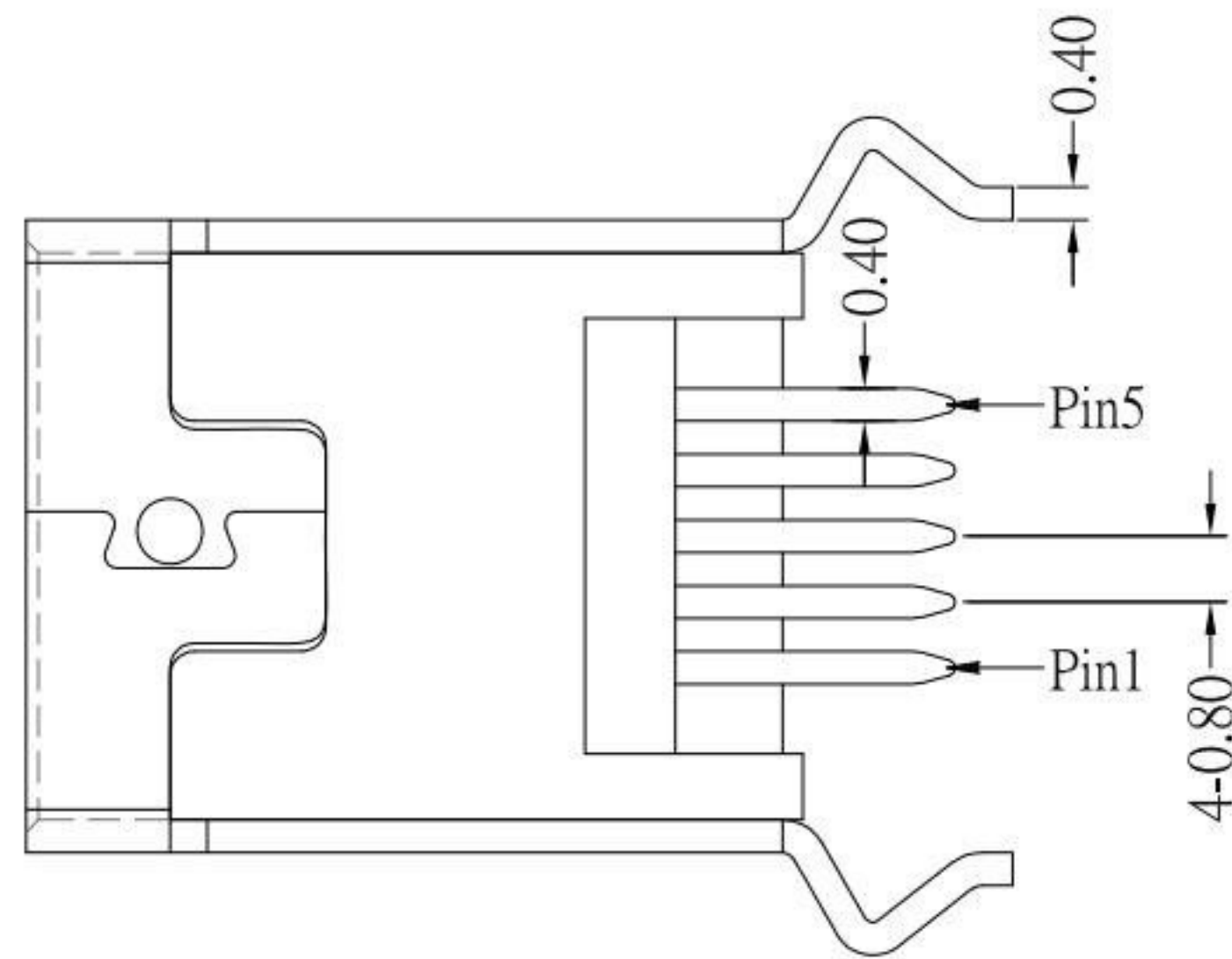


P.C.B LAYOUT MOUNTING PATTERN



## SPECIFICATIONS

### Electrical:

- 1.Current Rating: 1.0A / contact terminal
- 2.Voltage Rating: 30V DC
- 3.Contact Resistance: 50 milliohms Max
- 4.Dielectric Withstanding Voltage:  
300 V AC AT Sec Level
- 5.Insulation Resistance: 100 MEGA ohms Min

### Mechanical:

- 1.Connector Mate and Unmate Force  
Mate force: 3.0 kgf (Max)  
Unmate force: 0.7 kgf (Min)
- 2.Terminal Retention: 0.5 kgf (Min)

### Material:

- 1.Housing:  
High Temperature Thermal Plastics,  
UL 94V-0 , LCP , Black
- 2.Contact: PHOSPHOR BRONZE
- 3.Shell: BRASS

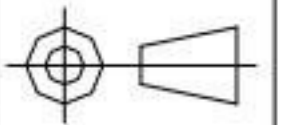
### Finish:

- 1.Contact: Plated Gold in Mating Area ;  
Tin Plated on Solder Balls ;  
Nickel under plated overall
- 2.Shell: Nickel under Plated surface layer

**KSD** 科斯达电子科技有限公司  
SWITCH CONNECTOR KSD ELECTRONIC TECHNOLOGY Co., LTD  
全球 互联零组件制造企业

TOLERANCE UNLESS OTHERWISE STATED :  
Up to 5 ±0.2  
Above 5 ~ 15 ±0.3  
Above 15 ~ 30 ±0.4  
Above 30 ~ 50 ±0.5  
Angle ±0.3°

3RD. ANGEL'S



UNITS

MM

DRAWN BY: Jack Lu  
DATE: 01/20/14  
CHECKED BY: Jacky Chen  
DATE: 01/20/14  
APPROVED BY: Tony Kao  
DATE: 01/20/14

MAT'L		TITLE	CONNECTOR
FINISH		MODLE	MINI USB 5BF 180度插板
SCALE	1 : 1	DWG NO.	MUSB-5B-63015D-S175
SHEET NO.	1 of 1	PART NO.	MUSB-5B-63015D-S175
		SIZE	A4
		VER	R2

2	更新材質及鍍層	Jack	012014
1	更新鍍層	Jack	102813
ITEM NO.	DESCRIPTION	DRAWN	DATE