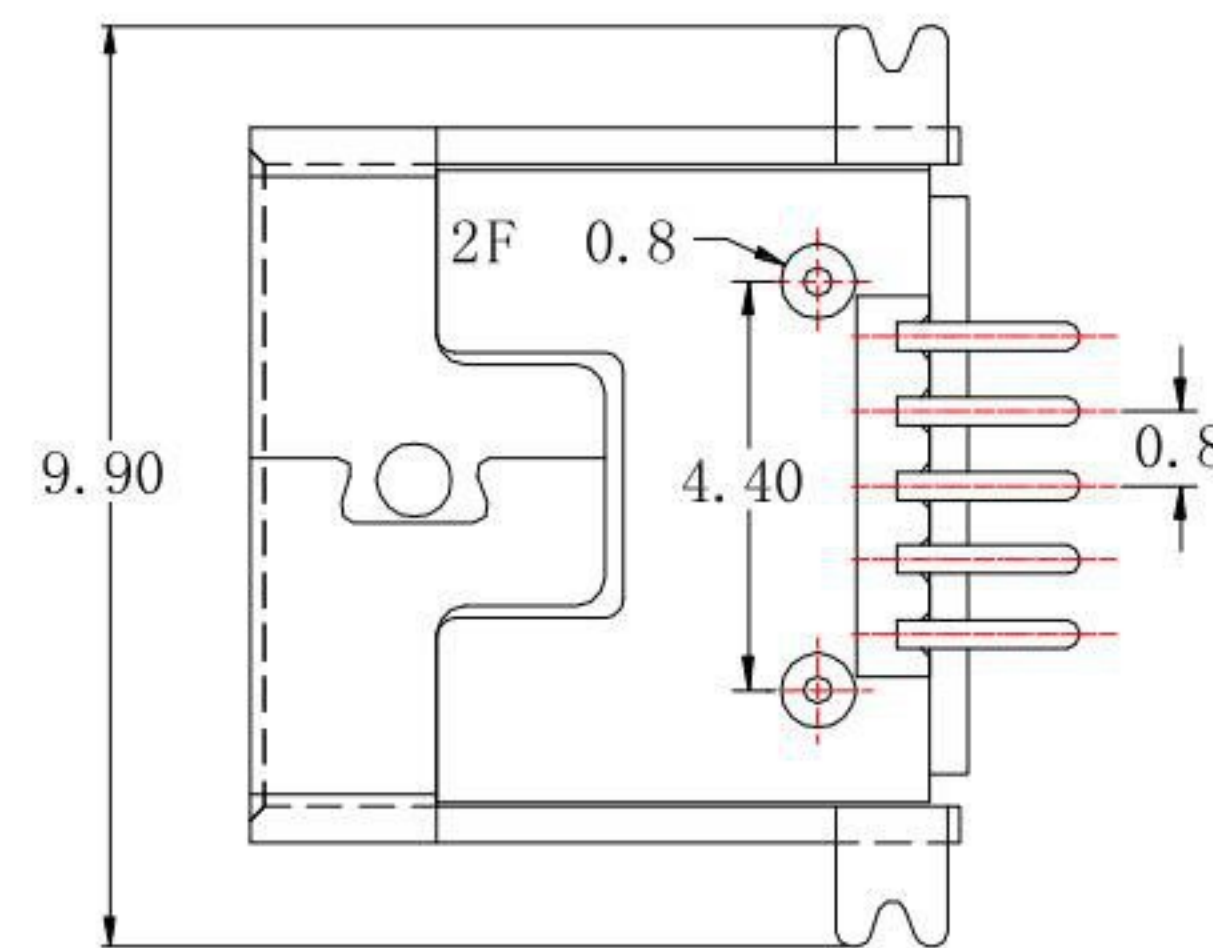
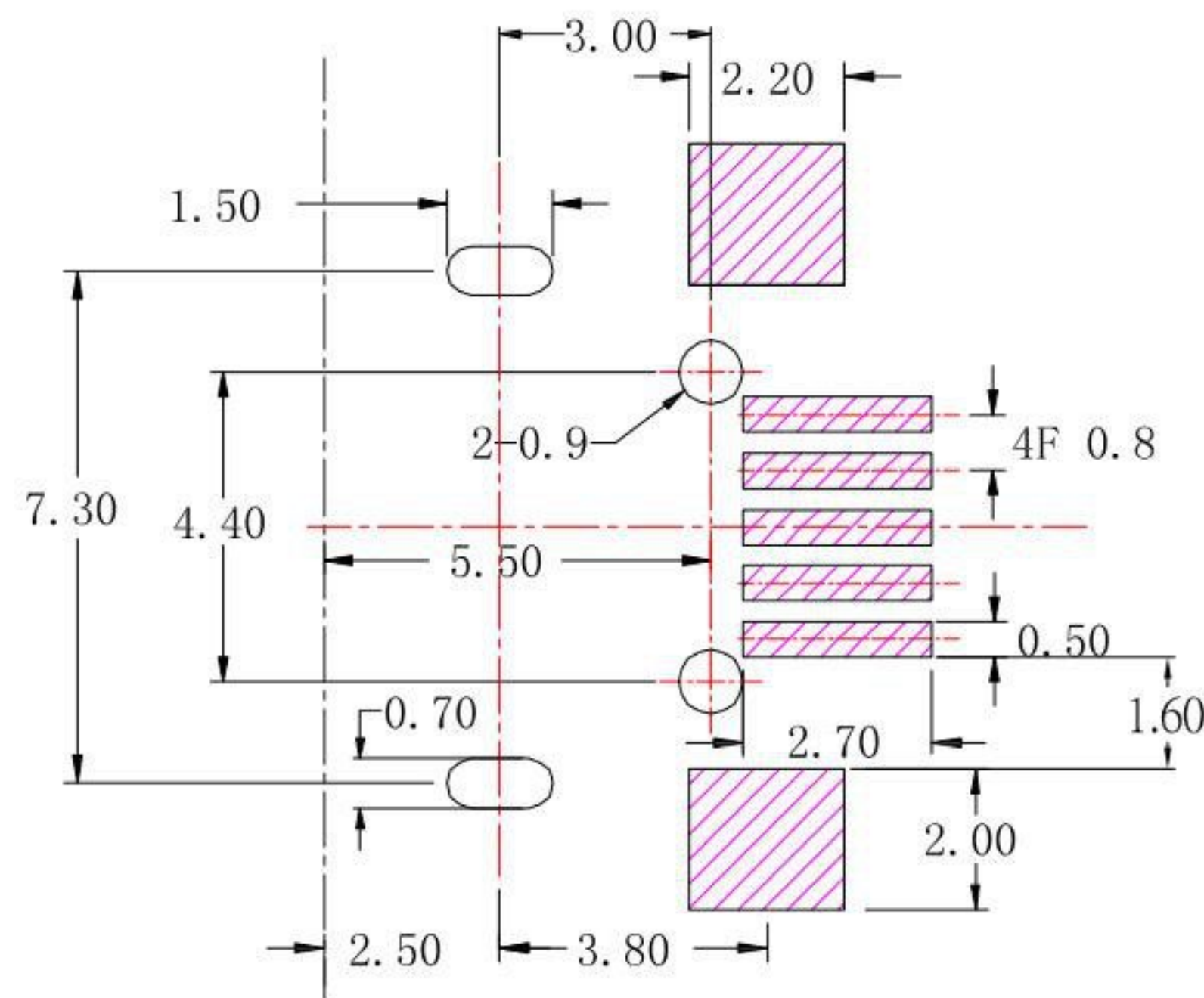
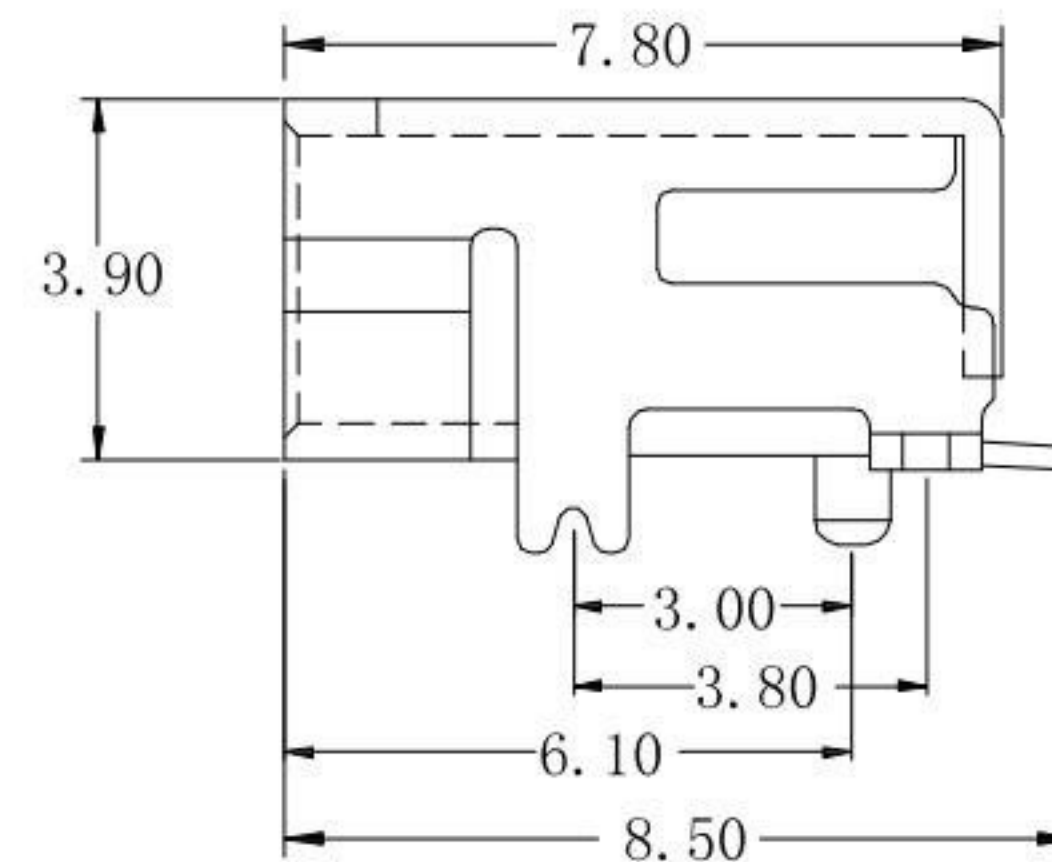
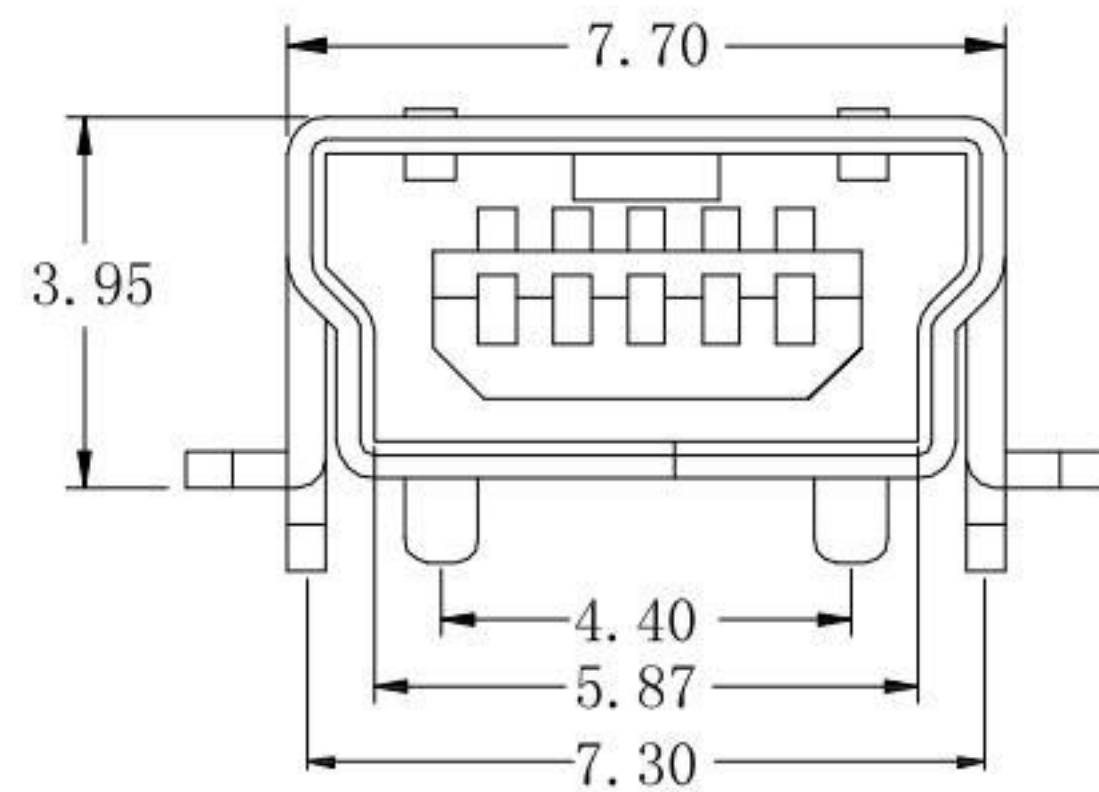
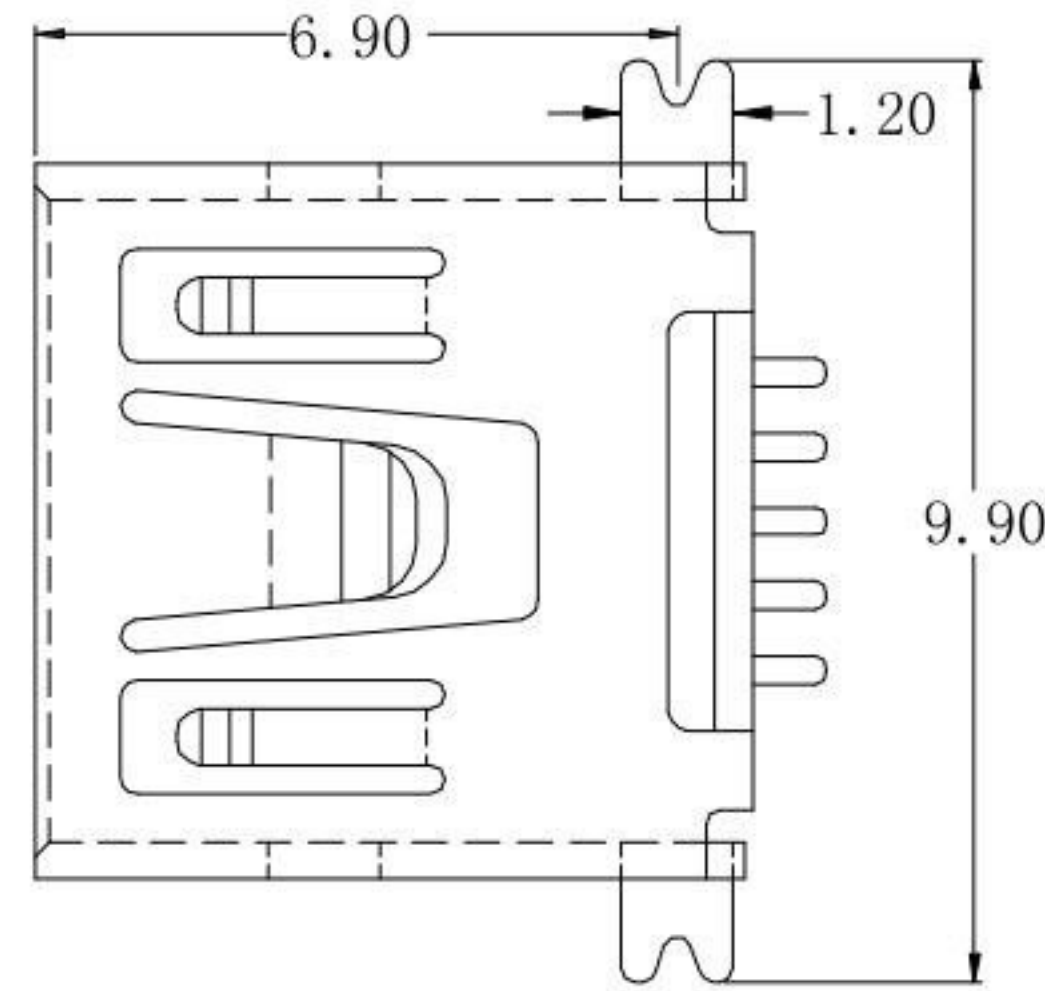


MUSB-5B-SD3-x-S175

鍍層厚度：

Blank	: 1u"
2	: 15u"
3	: 30u"



SPECIFICATIONS

Electrical :

- 1.Current Rating : 1.0A / contact terminal
- 2.Voltage Rating : 30V DC
- 3.Contact Resistance : 50 mΩ Max
- 4.Dielectric Withstanding Voltage : 300V AC
- 5.Insulation Resistance : 100 MΩ Min

Material :

- 1.Housing : LCP,UL 94V-0, Black
- 2.Contact : PHOSPHOR BRONZE
- 3.Shell : BRASS

Finish :

- 1.Contact : Plated Gold in Mating Area ;
Gold Plated on Solder Balls ;
Nickel under plated overall
- 2.Shell : Nickel under Plated surface layer

P.C.B LAYOUT MOUNTING PATTERN

KSD 科斯达电子科技有限公司
SWITCH CONNECTOR KSD ELECTRONIC TECHNOLOGY Co., LTD
全球 互联零组件制造企业

TOLERANCE UNLESS OTHERWISE STATED :	Up to 5 ±0.2	3RD. ANGEL'S	UNITS	MM
	Above 5 ~ 15 ±0.3			
	Above 15 ~ 30 ±0.4			
	Above 30 ~ 50 ±0.5			
	Angle ±0.3°			

DRAWN BY:	DATE	MAT'L	TITLE	CONNECTOR
Jack Lu	03/12/18			
CHECKED BY:	DATE	FINISH	MODLE	MINI USB B TYPE SMT (SHELL : 前DIP後SMT)
Jacky Chen	03/12/18			
APPROVED BY:	DATE	SCALE	DWG NO.	MUSB-5B-SD3-x-S175
Tony Kao	03/12/18	1 : 1	PART NO.	MUSB-5B-SD3-x-S175
		SHEET NO.	1 of 1	

1	新增PCB LAYOUT尺寸	Jack	031218
ITEM NO.	DESCRIPTION	DRAWN	DATE