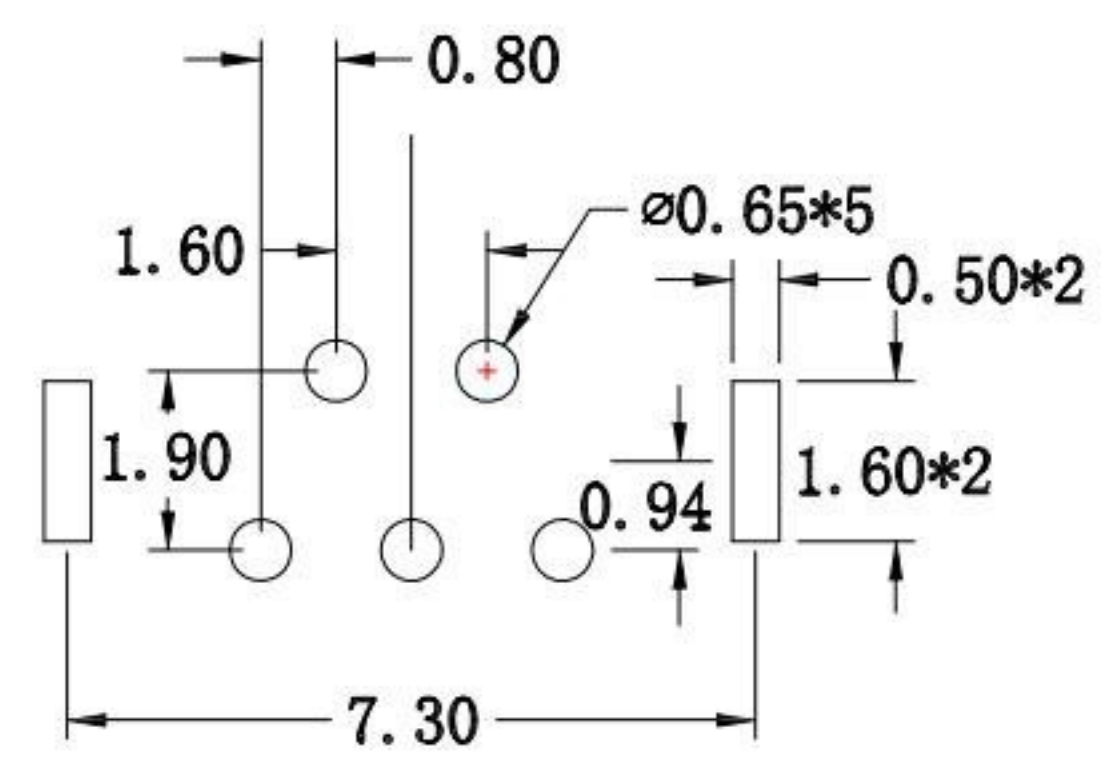
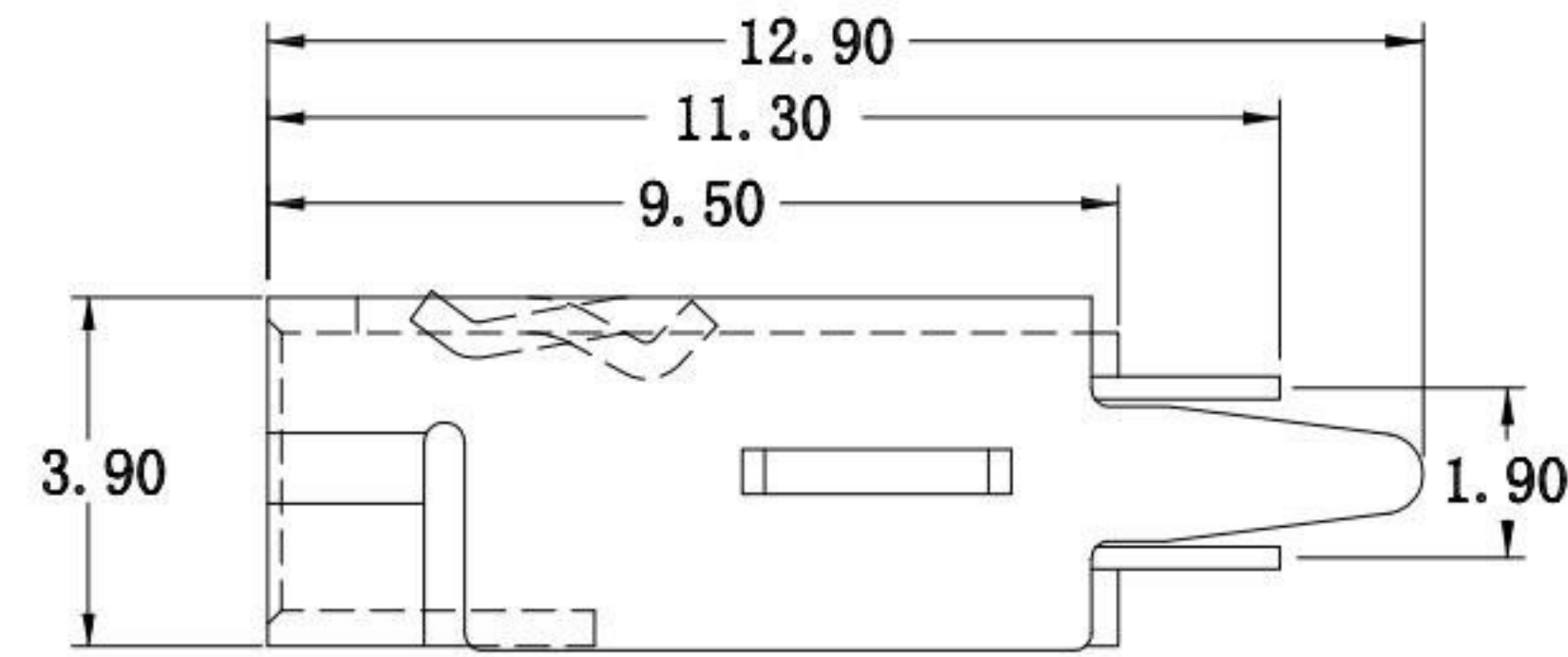
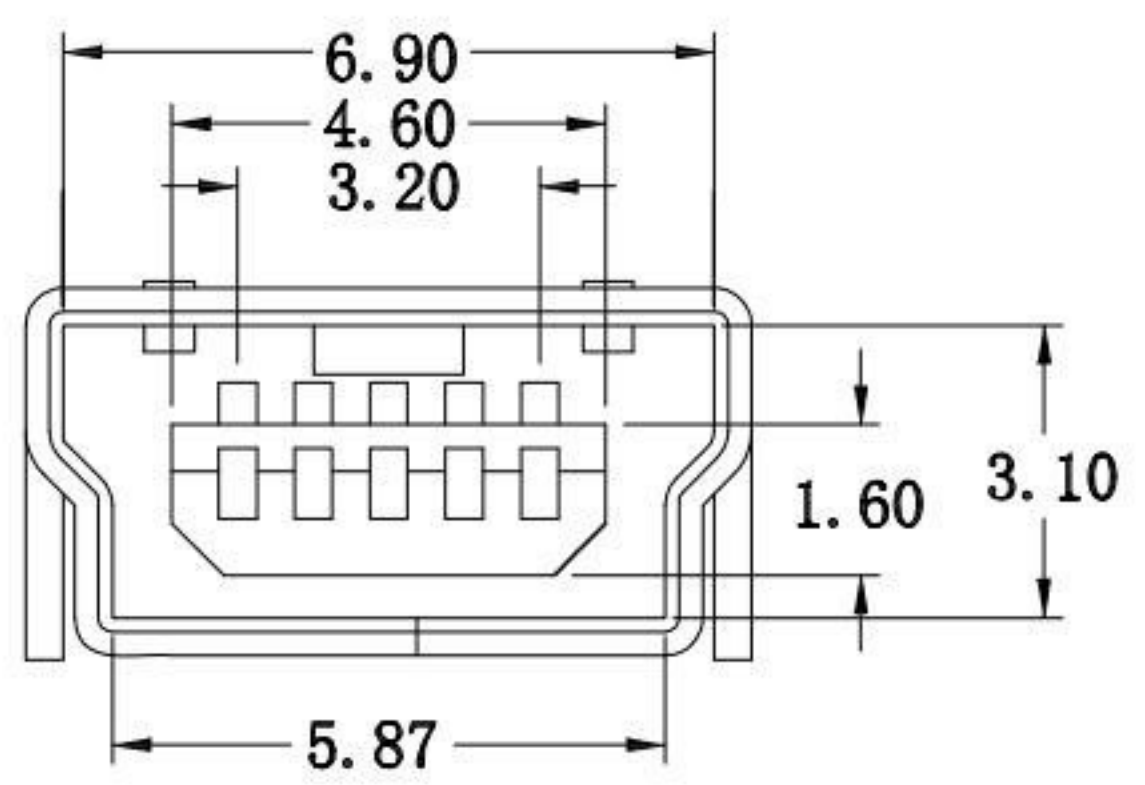
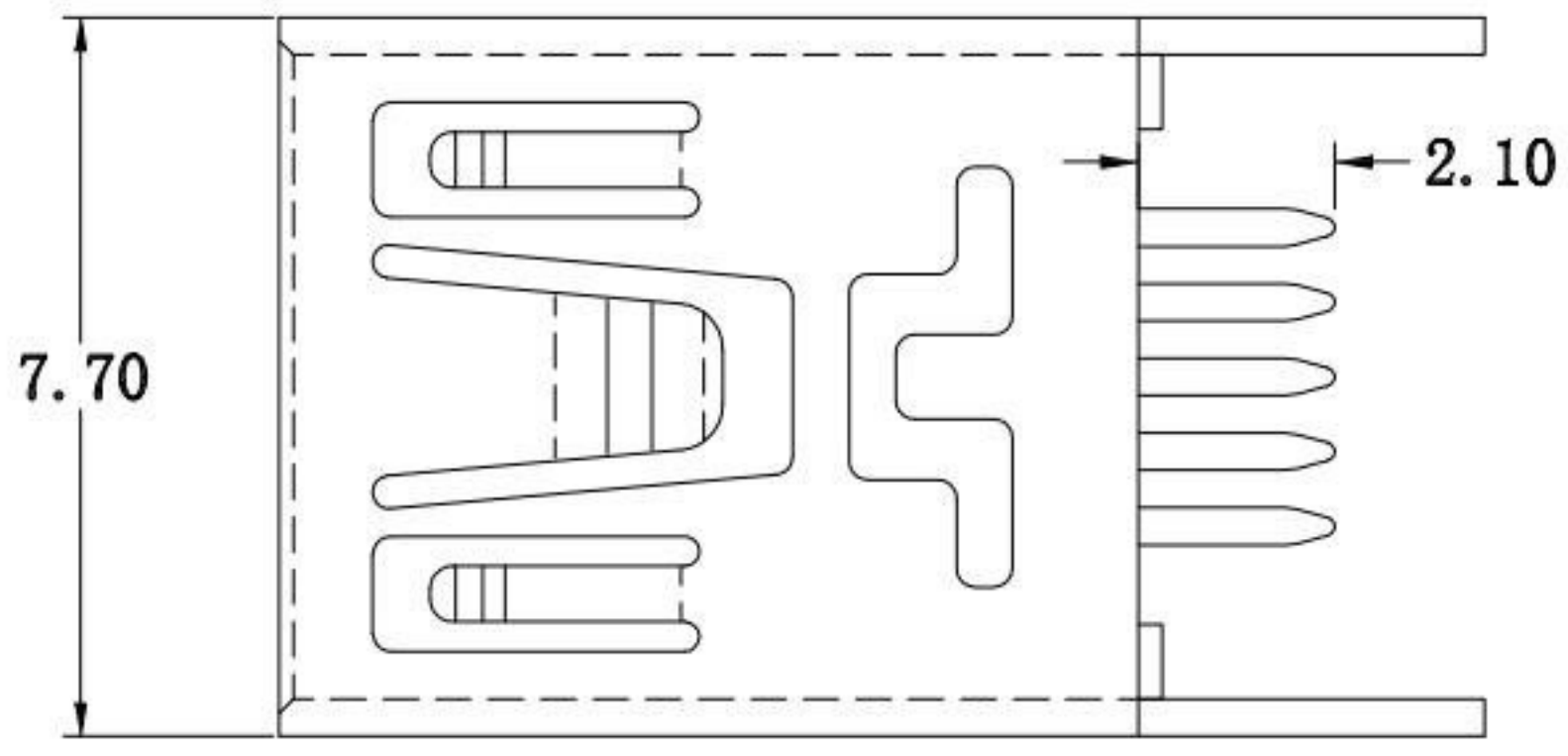




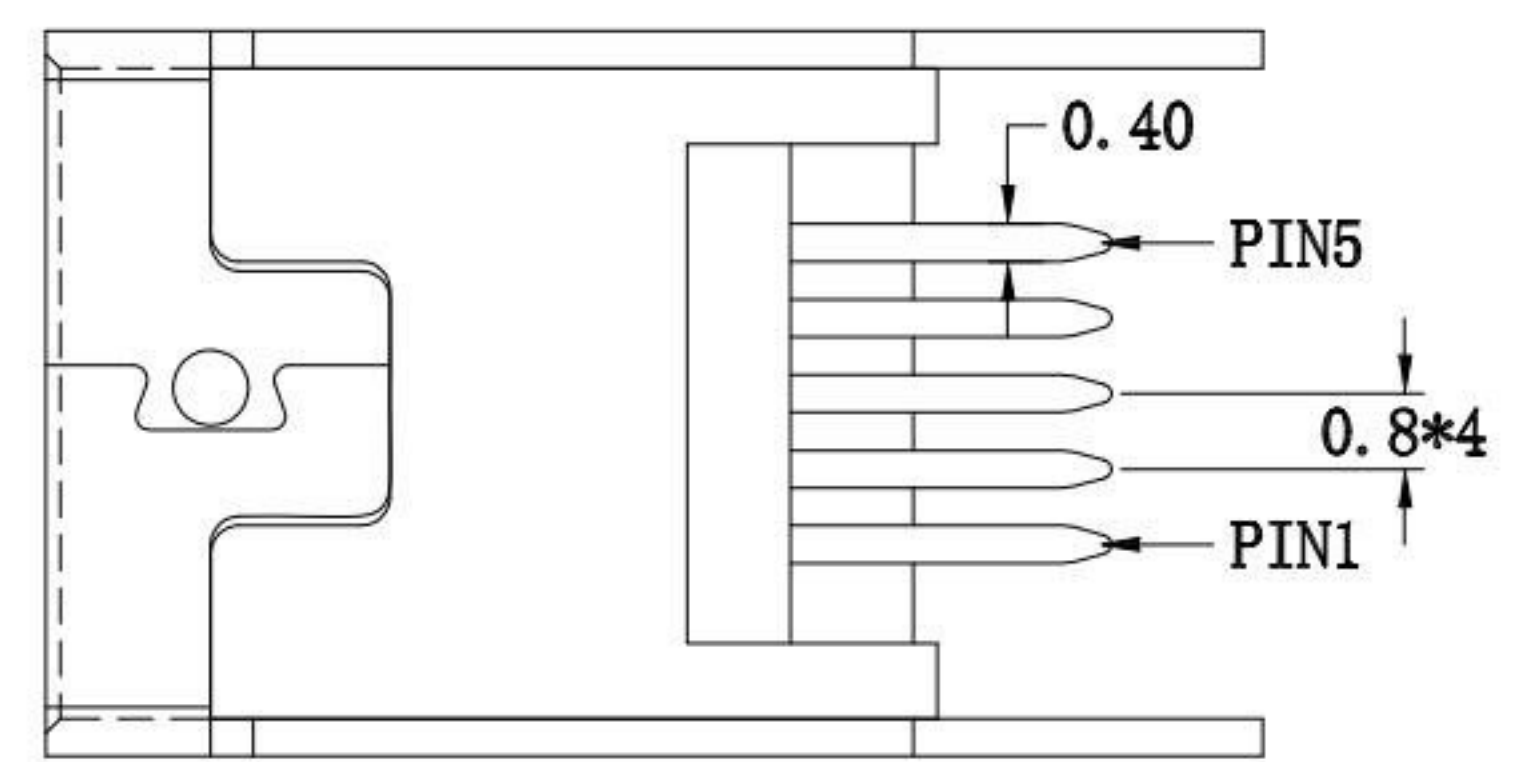
MUSB-5B-VD-x-S175

鍍層厚度 :

Blank	: 1u"
2	: 15u"
3	: 30u"



P.C.B LAYOUT MOUNTING PATTERN



SPECIFICATIONS

Electrical :

- 1.Current Rating : 1.0A / contact terminal
- 2.Voltage Rating : 30V DC
- 3.Contact Resistance : 50 mΩ Max
- 4.Dielectric Withstanding Voltage : 300 V AC AT Sec Level
- 5.Insulation Resistance : 100 MΩ Min

Mechanical :

- 1.Connector Mate and Unmate Force
Mate force : 3.0 kgf (Max)
Unmate force : 0.7 kgf (Min)
- 2.Terminal Retention : 0.5 kgf (Min)

Material :

- 1.Housing : High Temperature Thermal Plastics, UL 94V-0 , LCP , Black
- 2.Contact : PHOSPHOR BRONZE / BRASS
- 3.Shell : BRASS

Finish :

- 1.Contact : Plated Gold in Mating Area ; Gold Plated on Solder Balls ; Nickel under plated overall
- 2.Shell : Nickel under Plated surface layer

KSD 科斯达电子科技有限公司
 SWITCH CONNECTOR KSD ELECTRONIC TECHNOLOGY Co., LTD
 全球 互联零组件制造企业

TOLERANCE UNLESS OTHERWISE STATED :	Up to 5 ±0.2	3RD. ANGEL'S	UNITS	MM
	Above 5 ~ 15 ±0.3			
	Above 15 ~ 30 ±0.4			
	Above 30 ~ 50 ±0.5			
	Angle ±0.3°			

DRAWN BY:	DATE	MAT'L	TITLE	CONNECTOR
Jack Lu	11/04/13			
CHECKED BY:	DATE	FINISH	MODLE	MINI USB 5B/F 180度 DIP 直插脚
Jacky Chen	11/04/13			
APPROVED BY:	DATE	SCALE	DWG NO.	MUSB-5B-VD-x-S175
Tony Kao	11/04/13	1 : 1		
		SHEET NO.	PART NO.	MUSB-5B-VD-x-S175
		1 of 1		

ITEM NO.	DESCRIPTION	DRAWN	DATE