

### PCB LAYOYT

#### SPECIFICATION

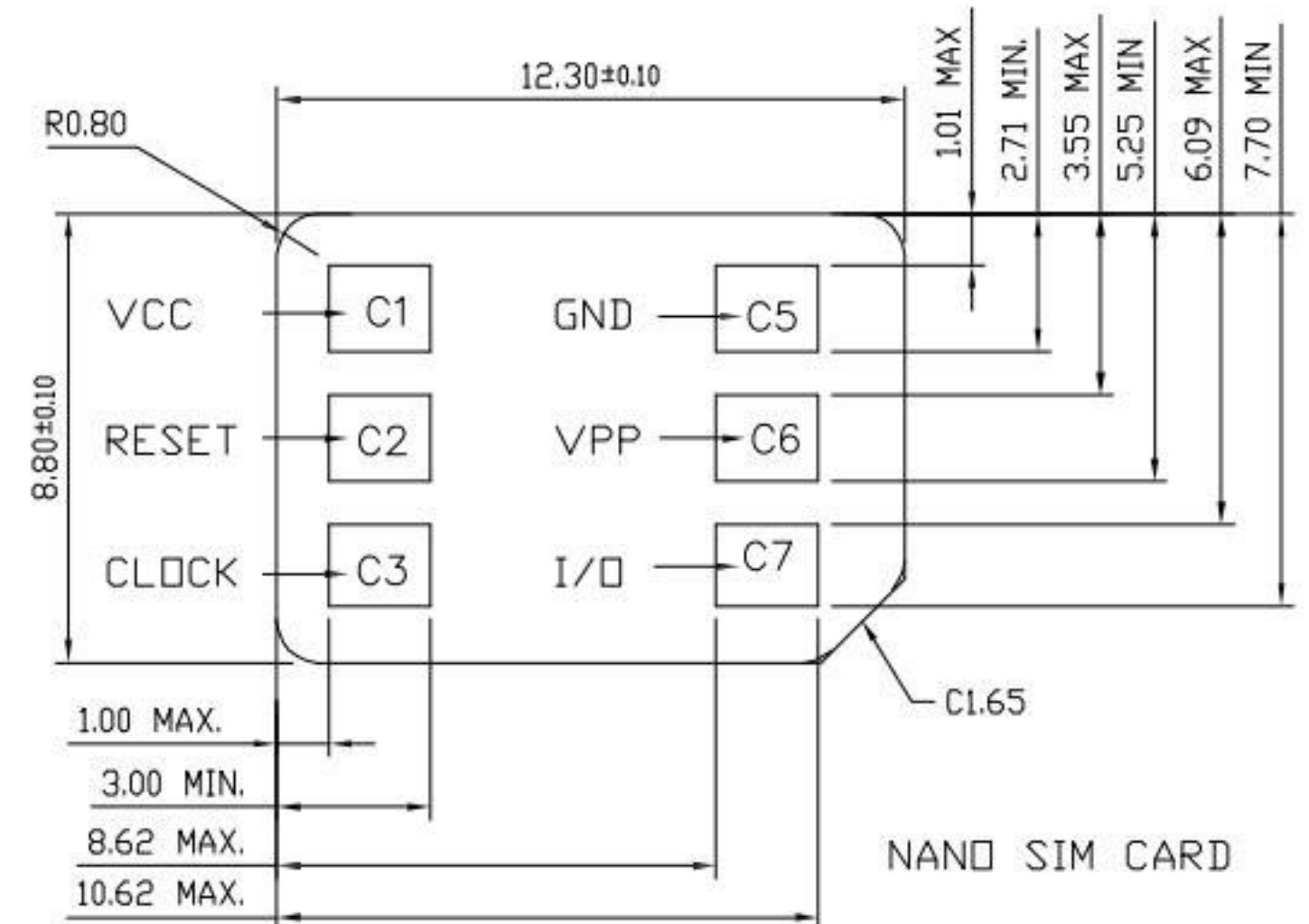
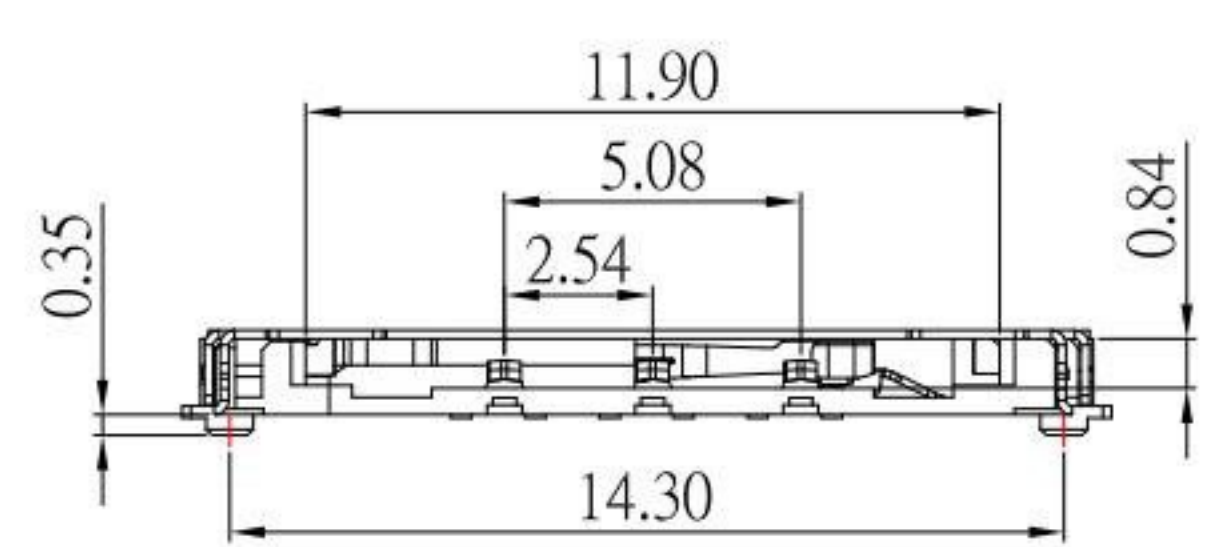
- Electrical :
1. Rating: 0.5A , 50V
  - 2.Contact Resistance: 100 mΩ Max.
  - 3.Insulation Resistance: 1000 MΩ Min.
  - 4.Dielectrec Withstanding Voltage: 250 V AC

#### Material:

- 1.Housing: LCP , Black
- 2.Contact: Phosphor Bronze
- 3.Shell: SUS

#### Finish:

- 1.Contact: Plated Gold in Mating Area ;  
Gold Plated on Solder Balls ;  
Nickel under plated overall
- 2.Shell: Nickel under Plated surface layer



8	新增尺寸	Jack	032123
7	更新尺寸	Jack	031523
6	更新圖面	Jack	070822
5	新增材質標示	Jack	041521
4	新增PCB LAYOUT外型框	Jack	033021
3	更新圖面尺寸及新增尺寸	Jack	032921
2	新增PCB LAYOUT標示PIN名稱	Jack	032621
1	新增卡托位置	Jack	082318
ITEM NO.	DESCRIPTION	DRAWN	DATE

**KSD** 科斯达电子科技有限公司  
 SWITCH CONNECTOR KSD ELECTRONIC TECHNOLOGY Co., LTD  
 全球 互聯零組件製造企業

TOLERANCE UNLESS OTHERWISE STATED :  
 Up to 5 ±0.2  
 Above 5 ~ 15 ±0.3  
 Above 15 ~ 30 ±0.4  
 Above 30 ~ 50 ±0.5  
 Angle ±0.3

3RD. ANGEL'S

UNITS MM

DRAWN BY:	DATE	MATERIAL	TITLE	CONNECTOR
Jack Lu	03/21/23			
CHECKED BY:	DATE	FINISH	MODLE	NANO SIM卡托款帶開關 帶偵測PIN
Jacky Chen	03/21/23			
APPROVED BY:	DATE	SCALE	DWG NO.	NSIM-0605IP62-S267
Tony Kao	03/21/23	1 : 1	PART NO.	NSIM-0605IP62-S267
SHEET NO.	1 of 1			SIZE A4
				VER R8