

OJ-0001A-xx x xx-S141

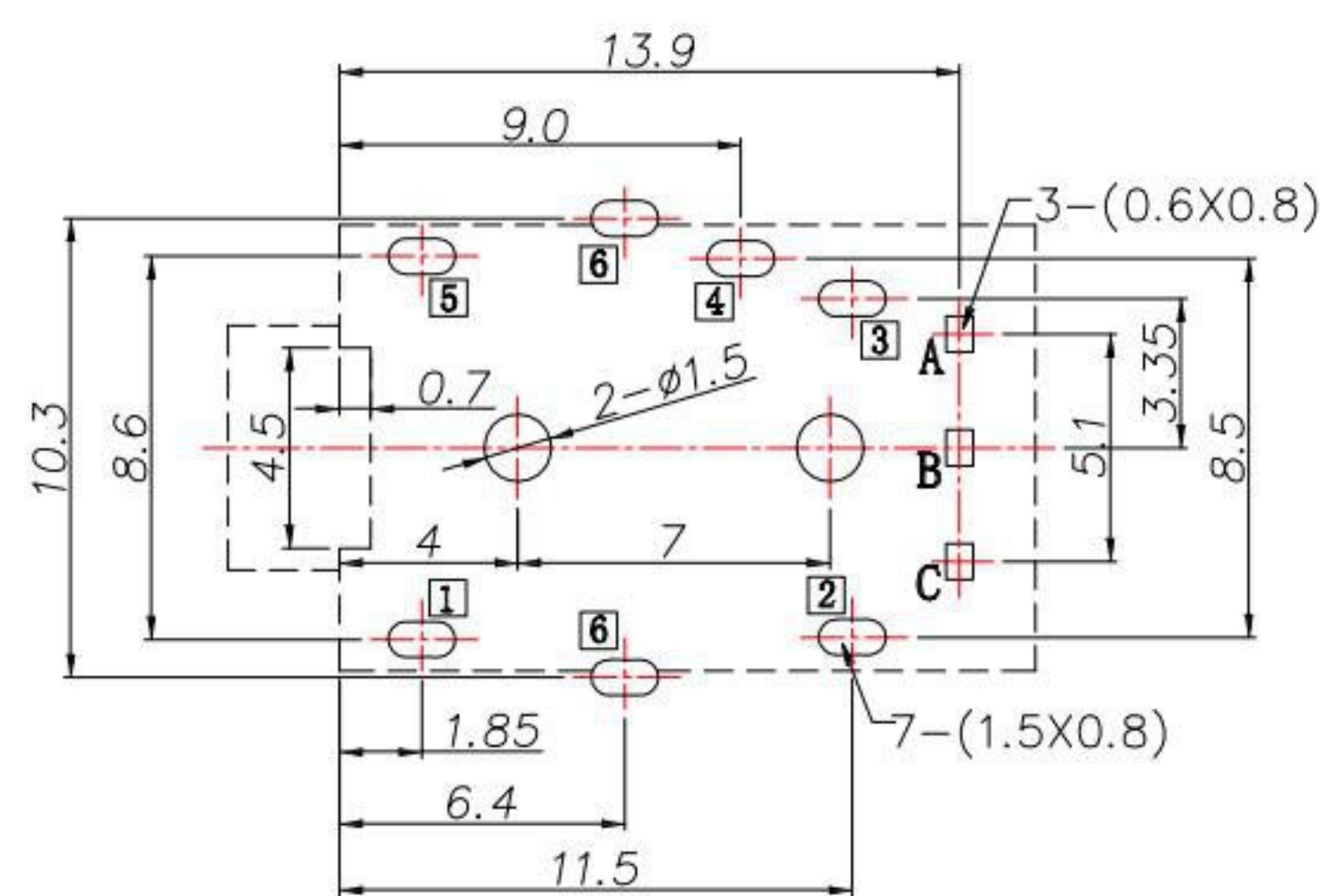
Housing Color :  
 Black: Blank  
 Green : GR  
 Red : R

端子鍍層 :  
 Ag : Blank  
 Au : G

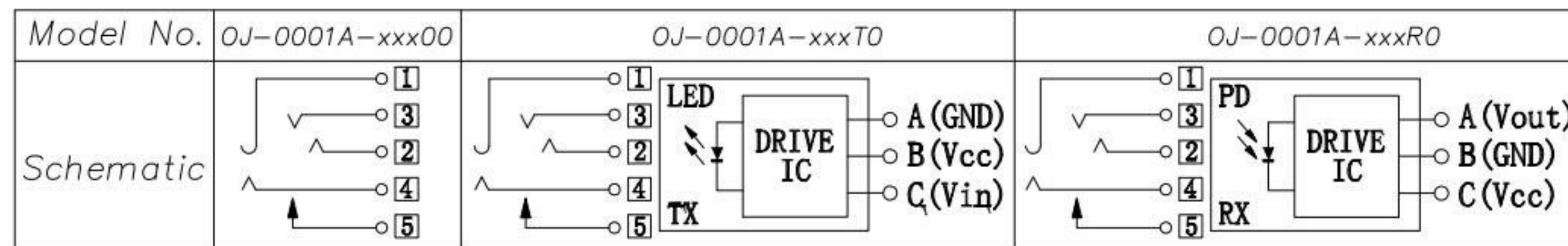
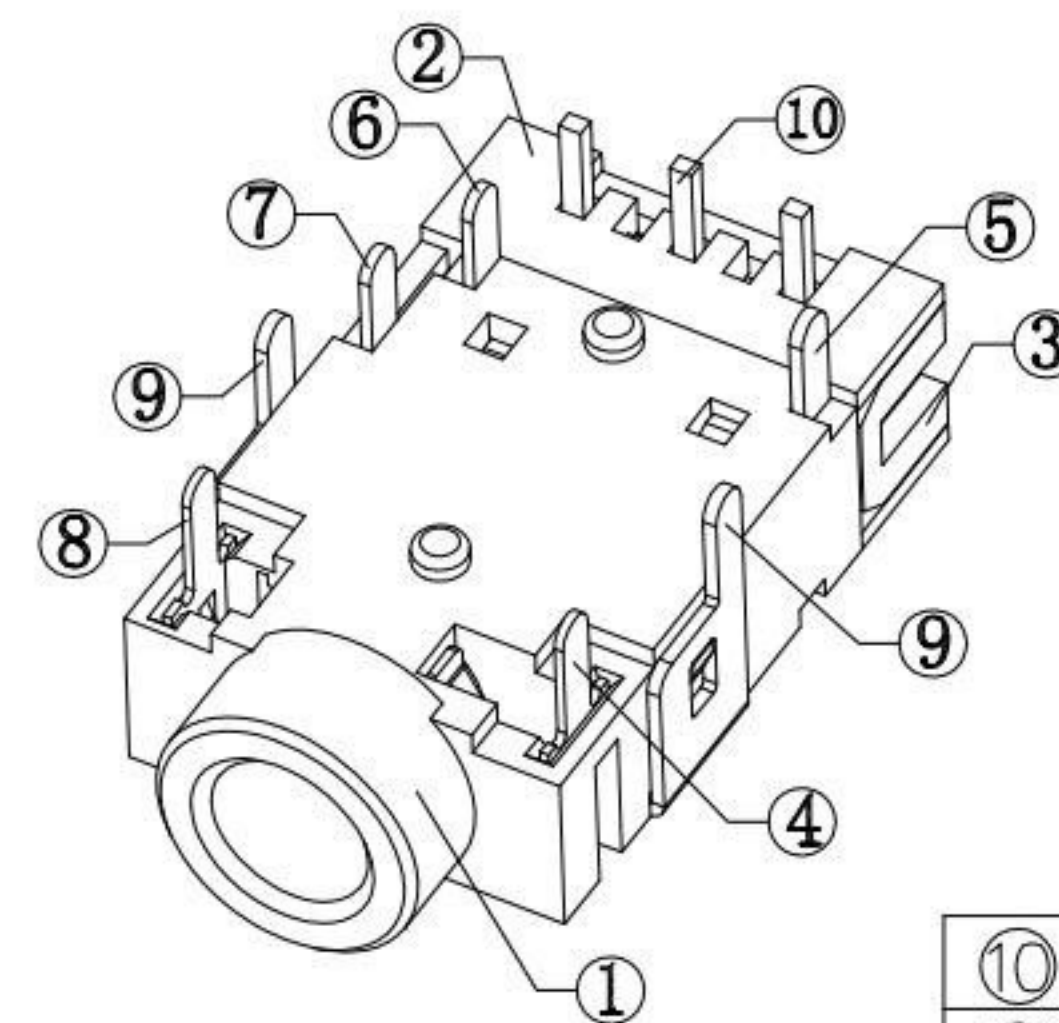
No Special Option : 00  
 Transmit Signal by Fiber : T0  
 Receive Signal by Fiber : R0

SPECIFICATION

1. Rating : DC 30V 0.5A
2. Contact resistance :  $\leq 30m\Omega$
3. Insulation resistance :  $\geq 100M\Omega$
4. Withstand voltage : 500VAC
5. Insertion and extraction force : 3-30N
6. life test : 5,000 cycles



P.C.B LAYOUT MOUNTING PATTERN  
(COPPER-SIDED VIEW)

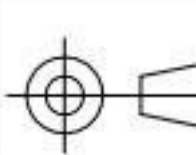


NO.	DESCRIPTION	QTY	MATERIAL	PLATING
10	Fiber	1		
9	Shell	6	Brass	Nickel Plating
8	Make terminal	5	Phosphor bronze	
7	Transfer terminal	4	Phosphor bronze	
6	Ring spring	3	Phosphor bronze	
5	Tip spring	2	Phosphor bronze	
4	Earth spring	1	Phosphor bronze	
3	Cover	1	PA9T	
2	Housing(B)	1	PA9T	
1	Housing(A)	1	PA9T	

**KSD** 科斯达电子科技有限公司  
 SWITCH CONNECTOR KSD ELECTRONIC TECHNOLOGY Co., LTD  
 全球 互联网 零组件 制造企业

TOLERANCE UNLESS OTHERWISE STATED:  
 Up to 5 ±0.2  
 Above 5 ~ 15 ±0.3  
 Above 15 ~ 30 ±0.4  
 Above 30 ~ 50 ±0.5  
 Angle ±0.3°

3RD. ANGEL'S



UNITS

MM

DRAWN BY: Jack Lu  
 DATE: 06/22/18  
 CHECKED BY: Jacky Chen  
 DATE: 06/22/18  
 APPROVED BY: Tony Kao  
 DATE: 06/22/18

MAT'L	TITLE	JACK
FINISH	MODLE	OPTICAL JACK
SCALE	DWG NO.	OJ-0001A-xx x xx-S141
SHEET NO.	PART NO.	OJ-0001A-xx x xx-S141

1	更新料號	Jack	062218
ITEM NO.	DESCRIPTION	DRAWN	DATE