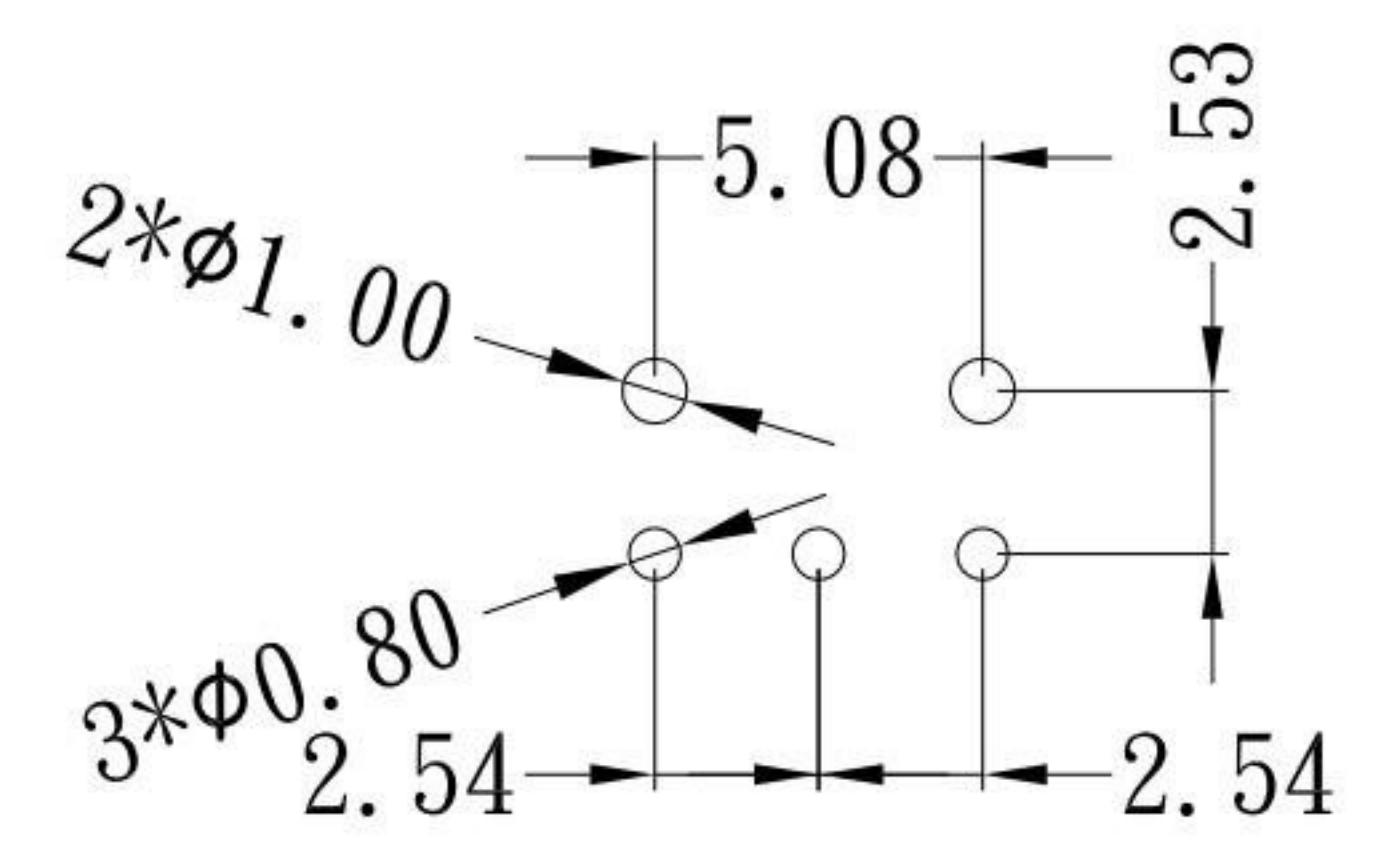
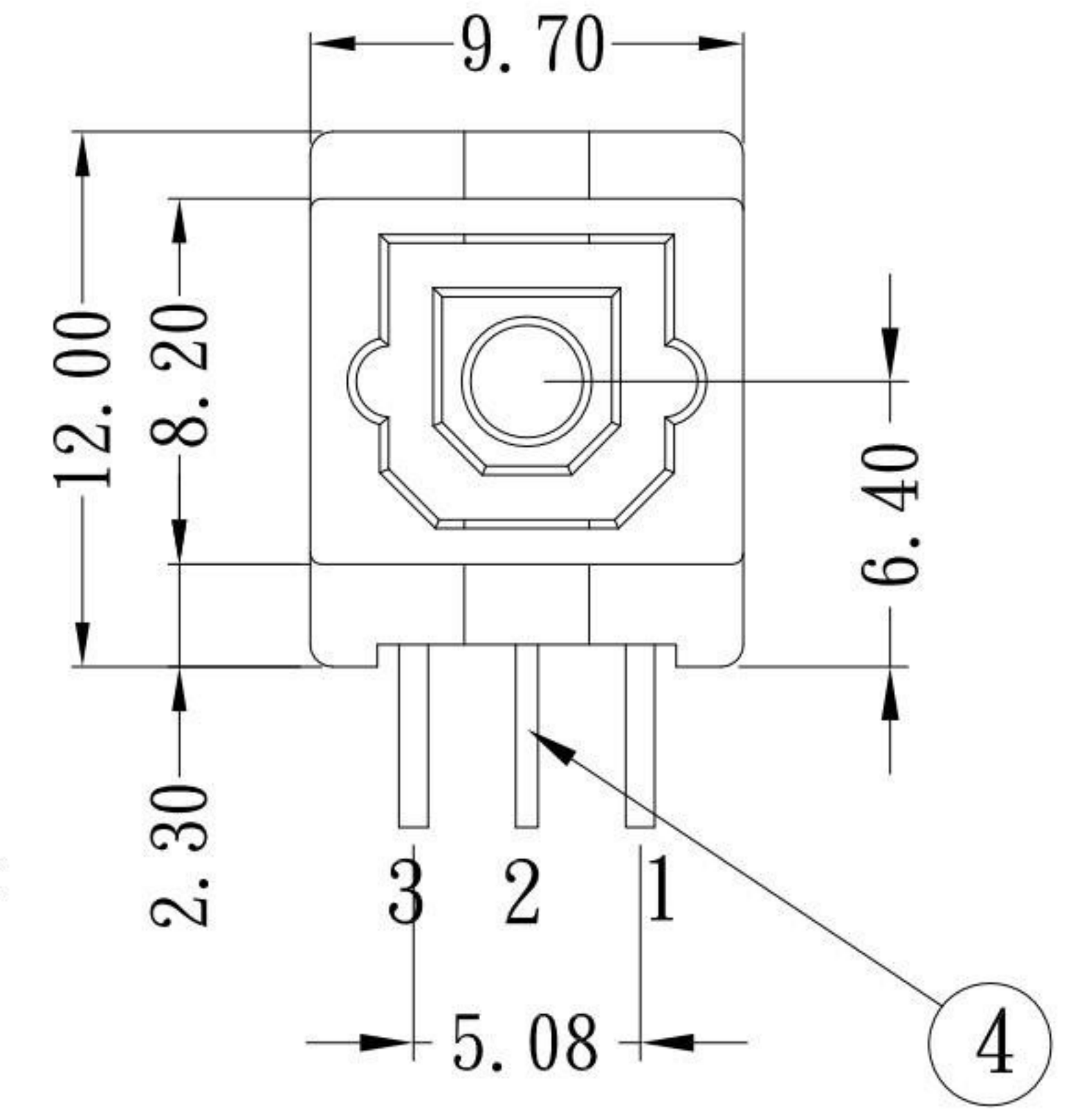


Pin Function:
 1. Gout
 2. GND
 3. Vcc



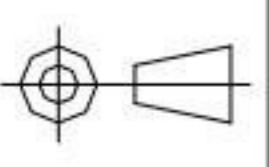
PCB LAYOUT

NO	PART NAME	QTY	MATERIAL	REMARK
1	BODY	1	PBT+15%GF	
2	PIN	2	BRASS	PLATED TIN
3	PLUG	1	PBT+15%GF	
4	IR	1	PHOSPHOR BRONZE	PLATED TIN, TRANSMITTER

KSD 科斯达电子科技有限公司
 SWITCH CONNECTOR KSD ELECTRONIC TECHNOLOGY Co., LTD
 全球 互聯零組件 制造企业

TOLERANCE UNLESS OTHERWISE STATED:
 Up to 5 ±0.2
 Above 5 ~ 15 ±0.3
 Above 15 ~ 30 ±0.4
 Above 30 ~ 50 ±0.5
 Angle ±0.3

3RD. ANGEL'S



UNITS

MM

DRAWN BY: Jack Lu
 CHECKED BY: Jacky Chen
 APPROVED BY: Tony Kao

DATE: 01/30/13

MAT'L	TITLE	JACK
FINISH	MODLE	OPTICAL JACK (接收端)
SCALE: 1:1	DWG NO.	OJ-1151AR-S215
SHEET NO. 1 of 1	PART NO.	OJ-1151AR-S215

ITEM NO.	DESCRIPTION	DRAWN	DATE
1	更新材質及鍍層	Jack	013013

SIZE: A4
 VER: R1