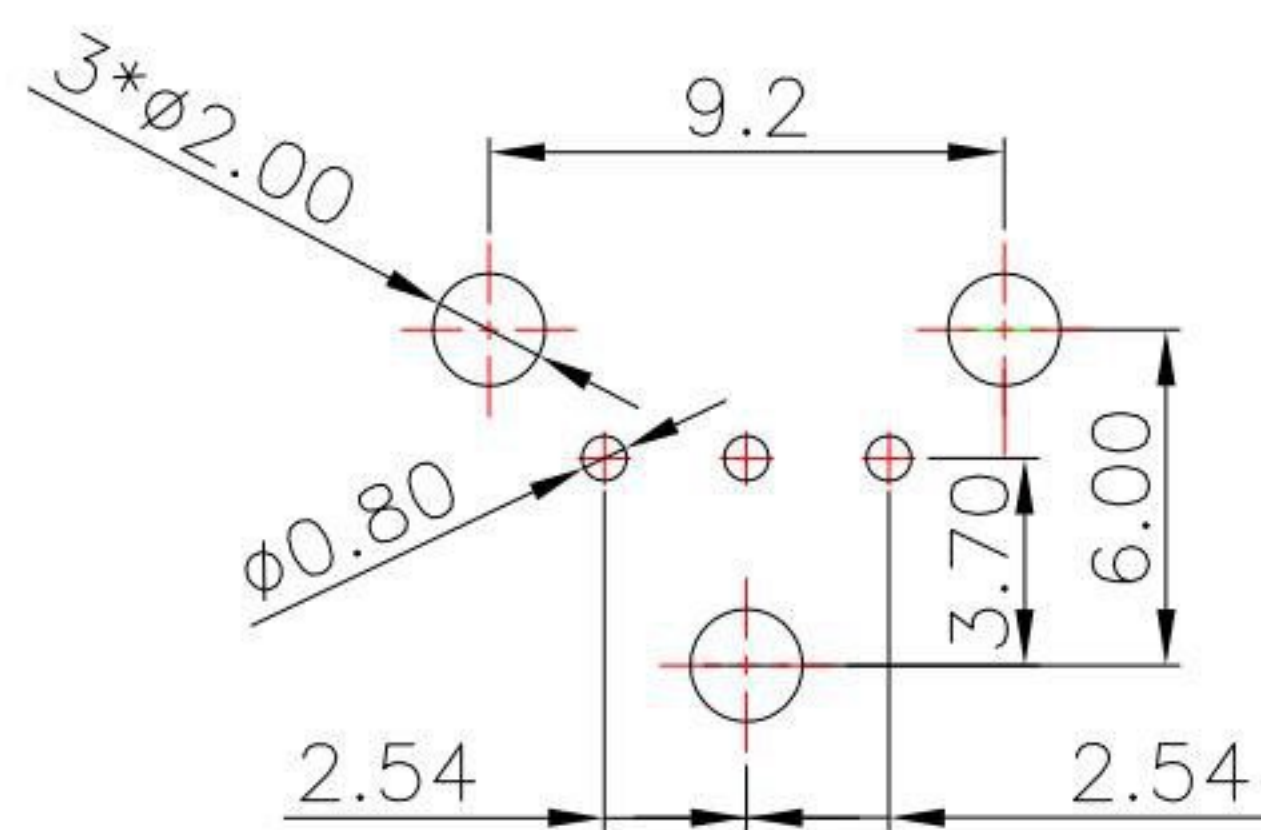
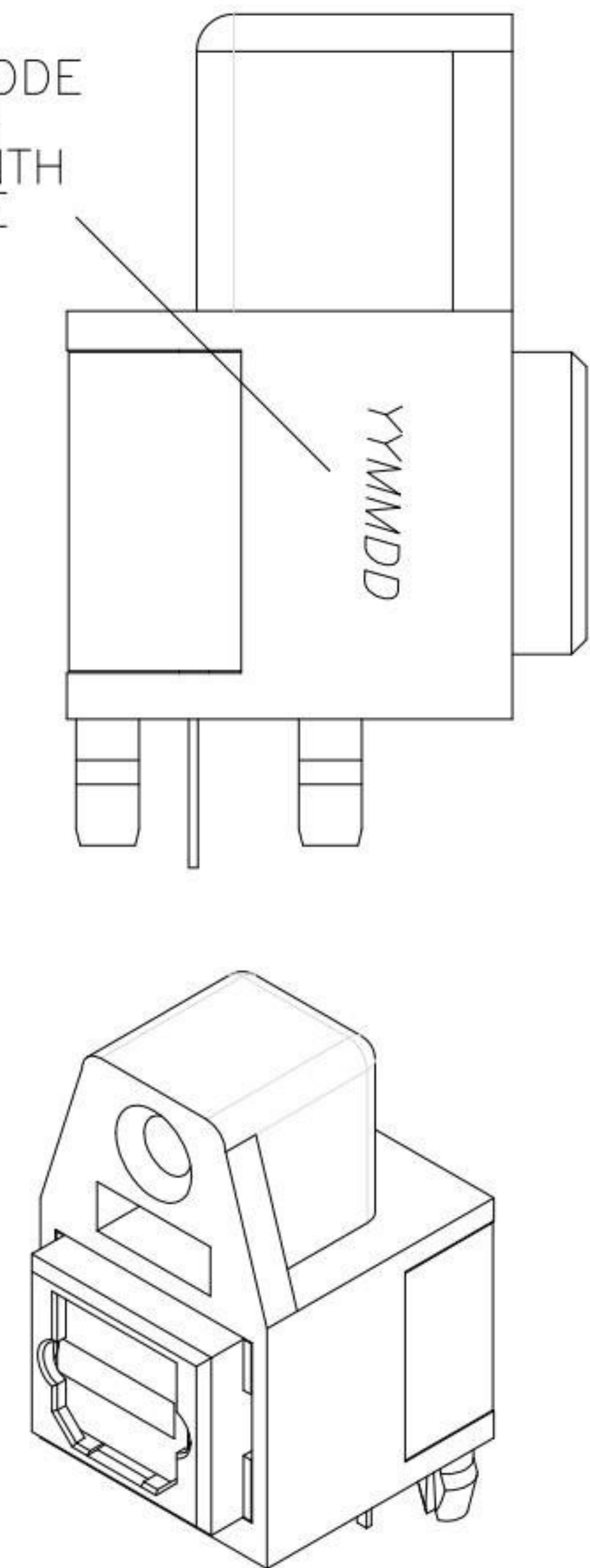
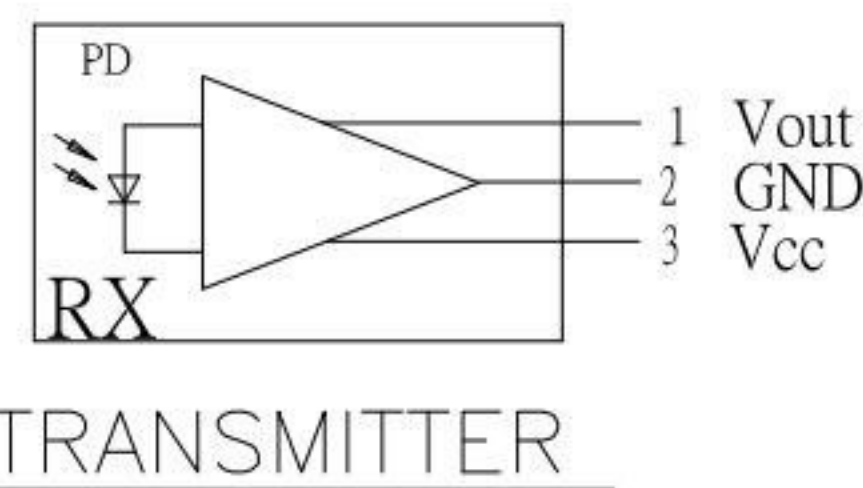


DATE CODE  
YY:YEAR  
MM:MONTH  
DD:DATE



PCB LAYOUT  
TOP VIEW

PIN FUNCTION  
Pin1: GND  
Pin2: Vcc  
Pin3: Vin



| NO. | DESCRIPTION | QTY | MATERIAL | REMARK |
|-----|-------------|-----|----------|--------|
| 6   | POF         | 1   | DLR1202  |        |
| 5   | SPRING      | 1   | SUS      |        |
| 4   | SET         | 1   | PA66     | BLACK  |
| 3   | BACK COVER  | 1   | PA66     | BLACK  |
| 2   | SHUTTER     | 1   | PA66     | BLACK  |
| 1   | HOUSING     | 1   | PA66     | BLACK  |

**KSD** 科斯达电子科技有限公司  
SWITCH CONNECTOR 全球互联零组件制造企业 KSD ELECTRONIC TECHNOLOGY Co., LTD

TOLERANCE UNLESS OTHERWISE STATED:  
Up to 5 ±0.2  
Above 5 ~ 15 ±0.3  
Above 15 ~ 30 ±0.4  
Above 30 ~ 50 ±0.5  
Angle ±0.3

3RD. ANGEL'S

UNITS MM

|              |          |        |           |                  |
|--------------|----------|--------|-----------|------------------|
| DRAWN BY:    | DATE     | MAT'L  | TITLE     | JACK             |
| Jack Lu      | 08/29/17 |        | MODLE     | OPTICAL JACK 接收端 |
| CHECKED BY:  | DATE     | FINISH | DWG NO.   | OJ-402C-RX-S214  |
| Jacky Chen   | 08/29/17 |        | PART NO.  | OJ-402C-RX-S214  |
| APPROVED BY: | DATE     | SCALE  | SHEET NO. | 1 of 1           |
| Tony Kao     | 08/29/17 | 1:1    |           |                  |

| ITEM NO. | DESCRIPTION | DRAWN | DATE   |
|----------|-------------|-------|--------|
| 2        | 更新為A0版      | Jack  | 082917 |
| 1        | 更新尺寸        | Jack  | 062317 |