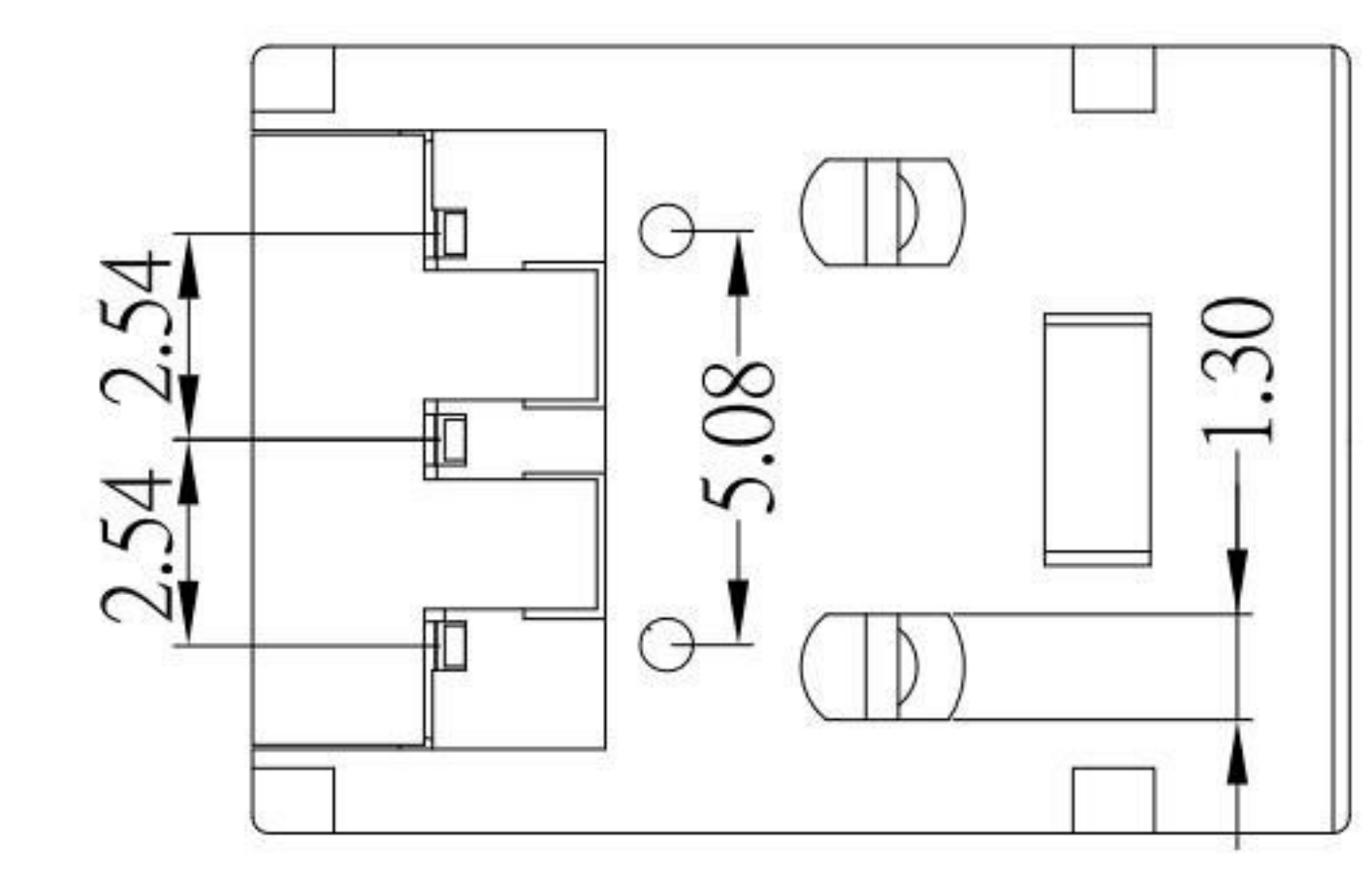
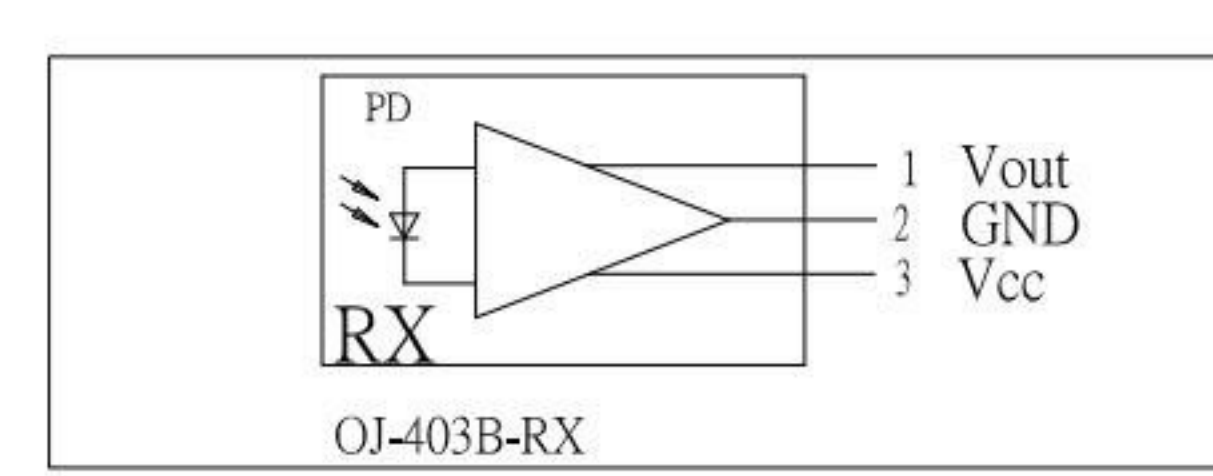
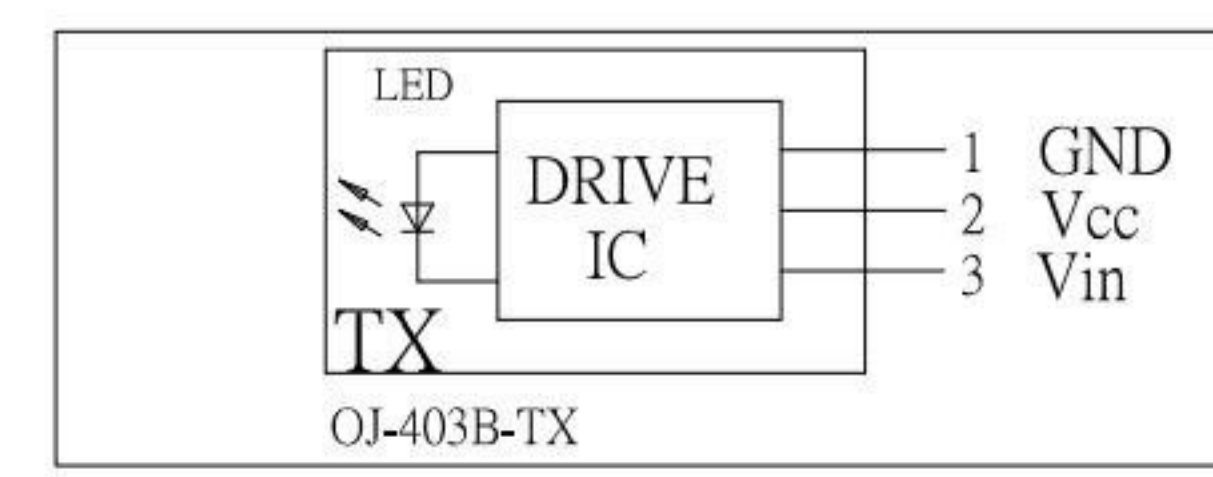


PCB LAYOUT



⑦	IC		TX	1
⑥	Fixed PIN	SPCC	SN	2
⑤	SPRING	SUS301		1
④	GATE	PA9T	BLACK	1
③	FRAME	PA9T	BLACK	1
②	COVER	PA9T	BLACK	1
①	HOUSING	PA9T	BLACK	1
ITEM	DESCRIPTIONs	MATERIAL	FINISH	Q' TY

KSD 科斯达电子科技有限公司
 SWITCH CONNECTOR KSD ELECTRONIC TECHNOLOGY Co., LTD
 全球 互联零组件制造企业

TOLERANCE UNLESS OTHERWISE STATED:
 Up to 5 ±0.2
 Above 5 ~ 15 ±0.3
 Above 15 ~ 30 ±0.4
 Above 30 ~ 50 ±0.5
 Angle ±0.3

3RD. ANGEL'S

UNITS MM

DRAWN BY:	DATE	MAT'L	TITLE	JACK
Jack Lu	06/05/20			
CHECKED BY:	DATE	FINISH	MODLE	OPTICAL JACK
Jacky Chen	06/05/20			
APPROVED BY:	DATE	SCALE	DWG NO.	OJ-403B-XX-S214
Tony Kao	06/05/20	1:1	PART NO.	OJ-403B-XX-S214
SHEET NO.	1 of 1			SIZE A4
				VER R

ITEM NO.	DESCRIPTION	DRAWN	DATE