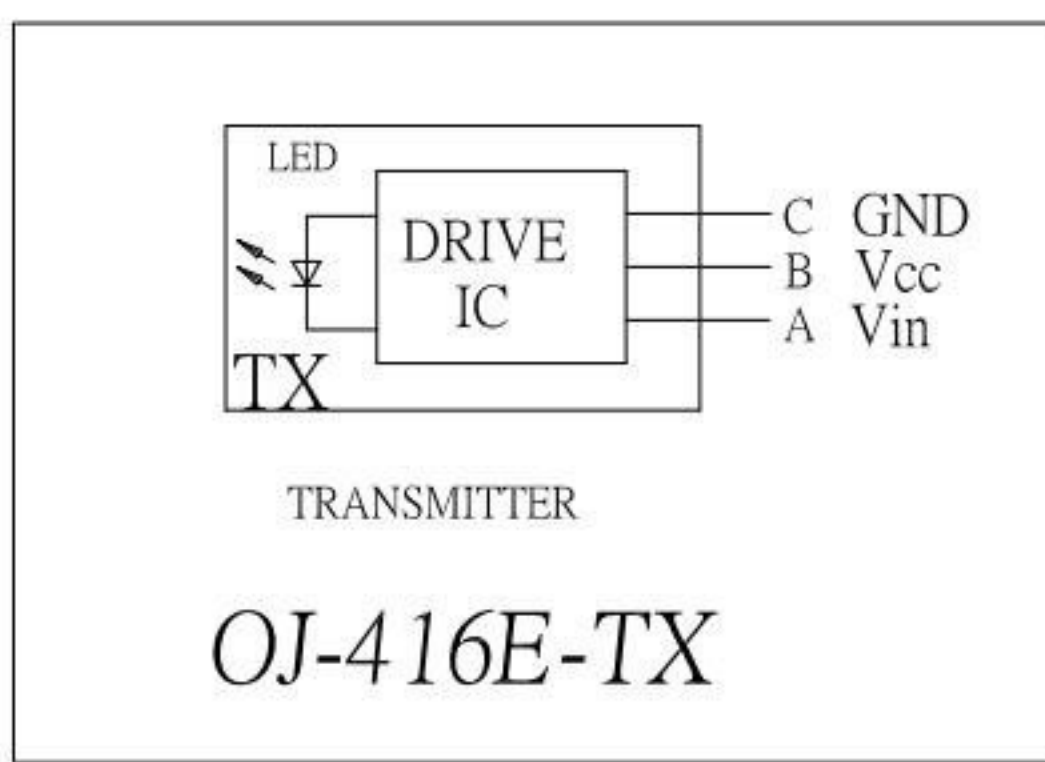
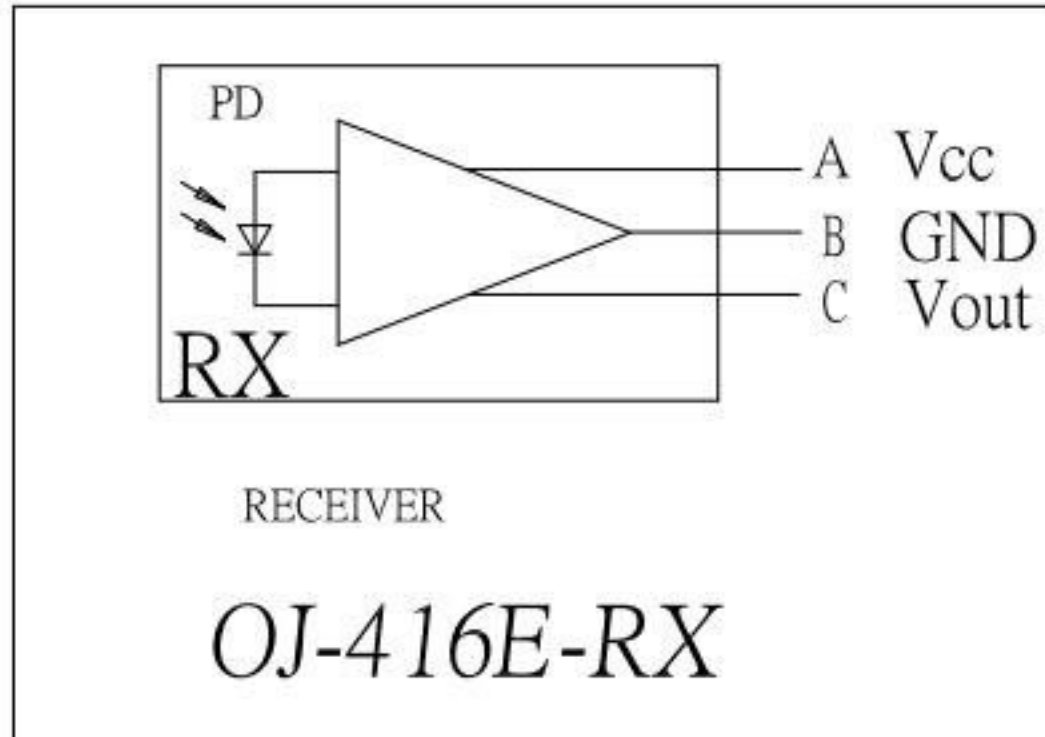


### OJ-416E-XXx-S214

TX	1	16 Mbps
RX	2	25 Mbps



- SPECIFICATIONS:
1. DISSIPATION CURRENT: 5.0 mA.
  2. OPERATING VOLTAGE(Vcc): 2.7-5.5 V.
  3. INSERTION FORCE: 4.0Max Kgs
  4. EXTRACTION FORCE: 0.6Kgs TO 4.0 Kgs
  5. ENDURANCE: 500 CYCLES
  6. OPERATING TEMPERATURE: -25 TO +85 °C.

ITEM	DESCRIPTION	MATERIAL	PLATING&COLOR	Q'TY
⑦	COVER 2	PBT	BLACK COLOR	1
⑥	SHELL	SPCC	Cu+Ni+Sn	1
⑤	IC	BRASS		1
④	COVER 1	PBT	BLACK COLOR	1
③	SPRING	SUS		1
②	HOUSING	PBT	BLACK COLOR	1
①	HOUSING	PBT	BLACK COLOR	1

**KSD** 科斯达电子科技有限公司  
SWITCH CONNECTOR KSD ELECTRONIC TECHNOLOGY Co., LTD  
全球 互联零组件制造企业

TOLERANCE UNLESS OTHERWISE STATED:  
 Up to 5 ±0.2  
 Above 5 ~ 15 ±0.3  
 Above 15 ~ 30 ±0.4  
 Above 30 ~ 50 ±0.5  
 Angle ±0.3

3RD. ANGEL'S

UNITS MM

DRAWN BY:	DATE	MAT'L	TITLE	JACK
Jack Lu	08/11/20	FINISH	MODLE	OPTICAL JACK
CHECKED BY:	DATE	SCALE	DWG NO.	OJ-416E-XXx-S214
Jacky Chen	08/11/20	1 : 1	PART NO.	OJ-416E-XXx-S214
APPROVED BY:	DATE	SHEET NO.	1 of 1	
Tony Kao	08/11/20			

ITEM NO.	DESCRIPTION	DRAWN	DATE