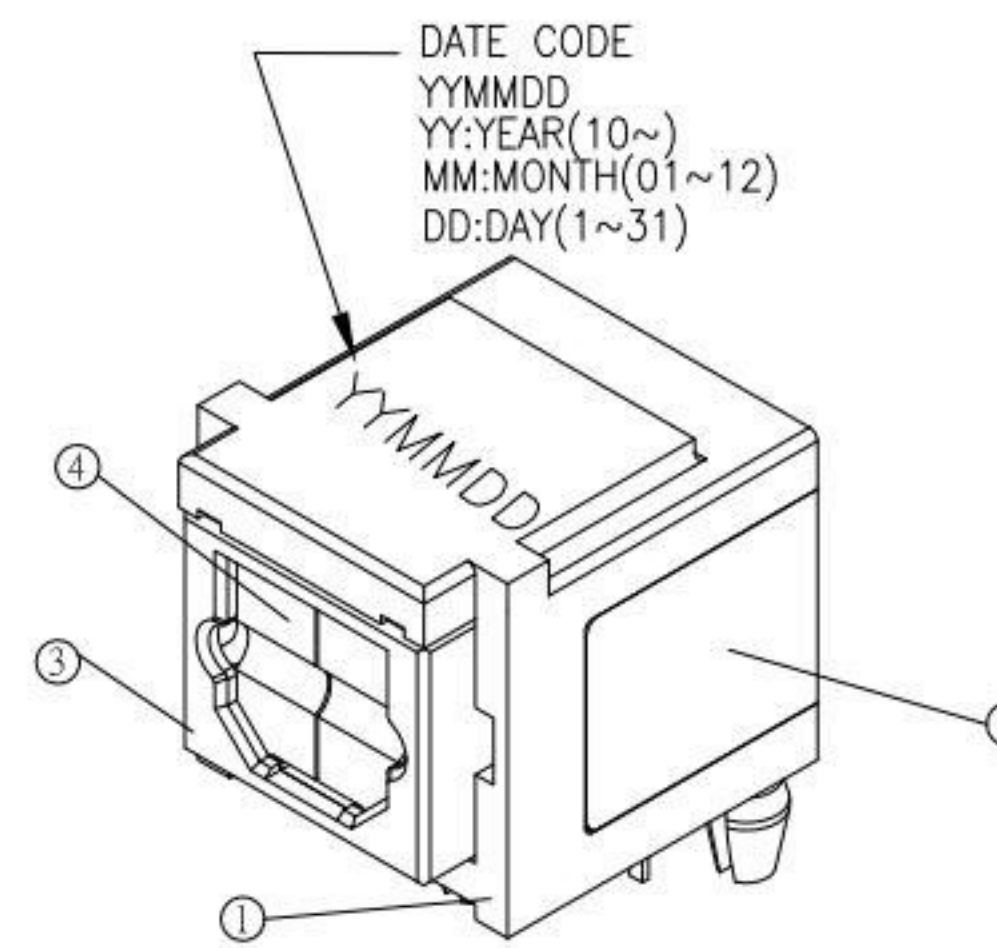
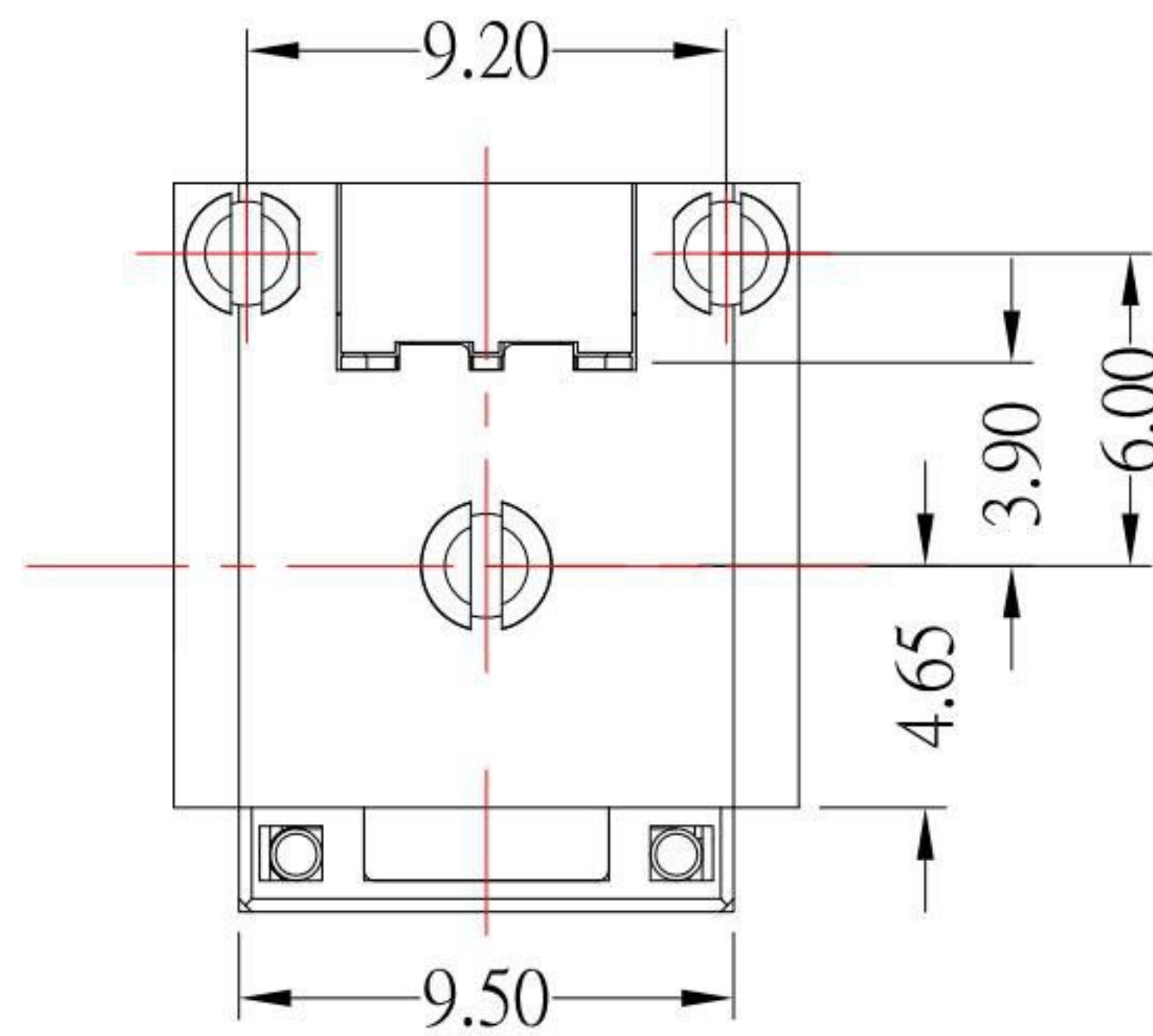
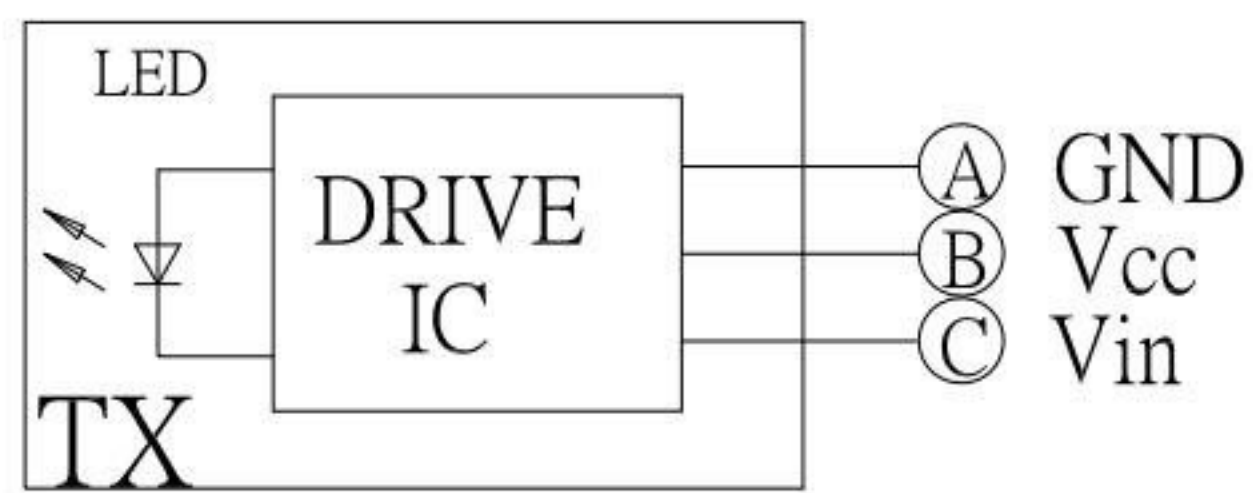


PCB LAYOUT  
TOP VIEW



SPECIFICATIONS:

1. DISSIPATION CURRENT: 5.0 mA.
2. OPERATING VOLTAGE (Vcc): 2.7-5.5 V.
3. INSERTION FORCE: 4.0 Max Kgs
4. EXTRACTION FORCE: 0.6 Kgs TO 4.0 Kgs
5. ENDURANCE: 500 CYCLES
6. OPERATING TEMPERATURE: -25 TO +70 °C.

| ITEM | DESCRIPTION | MATERIAL | PLATING&COLOR | Q'TY |
|------|-------------|----------|---------------|------|
| ⑥    | TX UNIT     | 25M      |               | 1    |
| ⑤    | COIL SPRING | SUS      |               | 2    |
| ④    | GATE        | PA9T     | GREEN COLOR   | 2    |
| ③    | FRAME       | PA9T     | BLACK COLOR   | 1    |
| ②    | COVER       | PA9T     | BLACK COLOR   | 1    |
| ①    | HOUSING     | PA9T     | BLACK COLOR   | 1    |

**KSD** 科斯达电子科技有限公司  
SWITCH CONNECTOR KSD ELECTRONIC TECHNOLOGY Co., LTD  
全球 互联 零组件 制造企业

TOLERANCE UNLESS OTHERWISE STATED:  
Up to 5 ±0.2  
Above 5 ~ 15 ±0.3  
Above 15 ~ 30 ±0.4  
Above 30 ~ 50 ±0.5  
Angle ±0.3

3RD. ANGEL'S

UNITS MM

|              |          |           |          |                   |
|--------------|----------|-----------|----------|-------------------|
| DRAWN BY:    | DATE     | MAT'L     | TITLE    | JACK              |
| Jack Lu      | 11/22/19 |           |          |                   |
| CHECKED BY:  | DATE     | FINISH    | MODLE    | OPTICAL JACK(發射端) |
| Jacky Chen   | 11/22/19 |           |          |                   |
| APPROVED BY: | DATE     | SCALE     | DWG NO.  | OJ-418-TX2-S214   |
| Tony Kao     | 11/22/19 | 1:1       |          |                   |
|              |          | SHEET NO. | PART NO. | OJ-418-TX2-S214   |
|              |          | 1 of 1    |          |                   |

| ITEM NO. | DESCRIPTION | DRAWN | DATE   |
|----------|-------------|-------|--------|
| 1        | 新增傳輸代碼      | Jack  | 112219 |