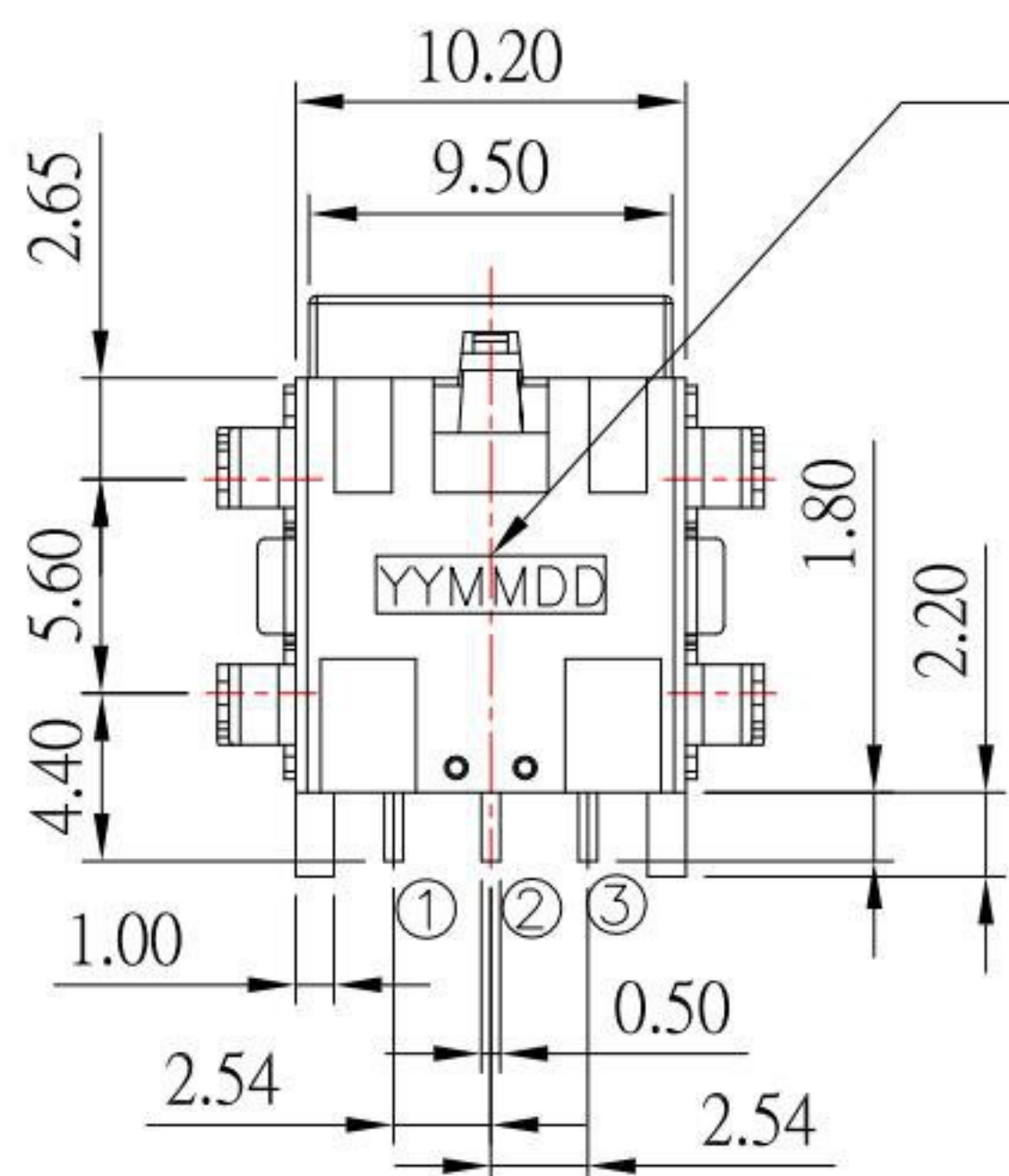
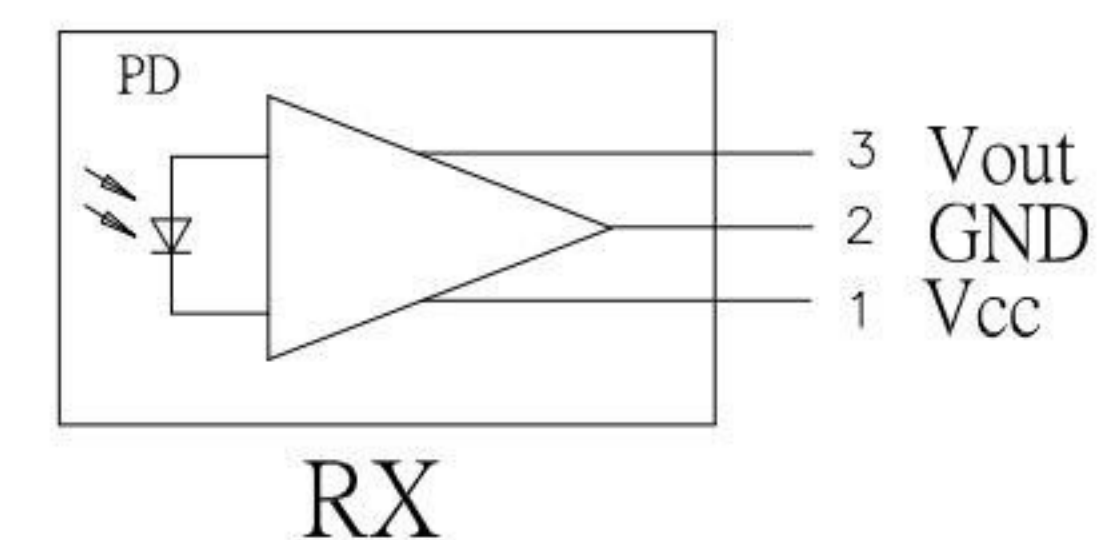
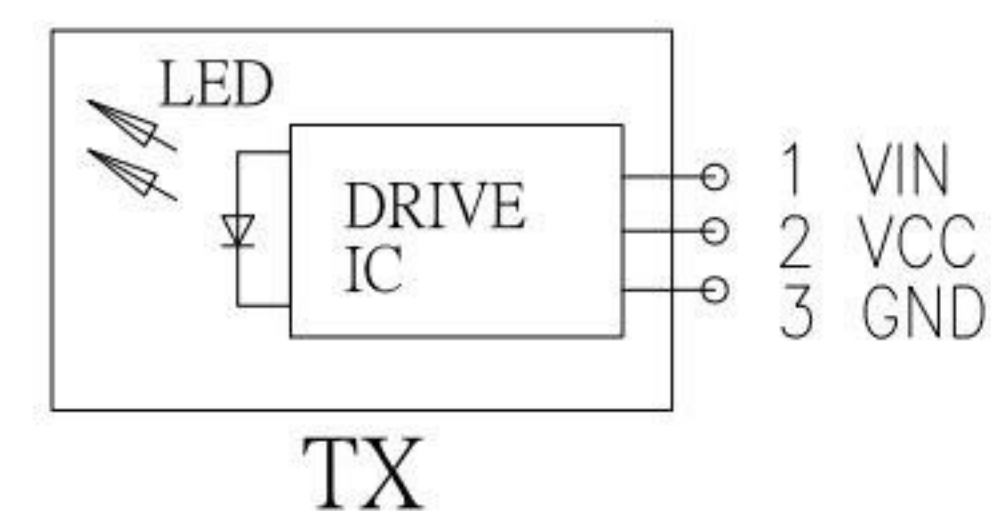
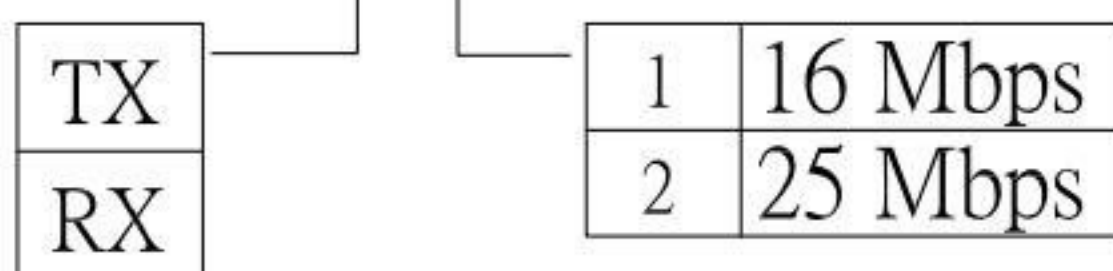


PCB LAYOUT
BOTTOM VIEW



DATE CODE:
YYMMDD
YY:YEAR(10~)
MM:MONTH(01~12)
DD:DATE(01~31)

OJ-421F07XXx-S214

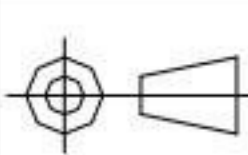


ITEM	DESCRIPTIONs	MATERIAL	Q'TY	NOTE
⑥	DRIVE IC		1	16 Mbps / 25Mbps
⑤	SHELL	SPCC	1	Tin Plated
④	SPRING	SUS	1	
③	COVER	PA9T	1	Black
②	HOUSING	PA9T	1	Black
①	GATE	PA9T	1	Black

KSD 科斯达电子科技有限公司
SWITCH CONNECTOR KSD ELECTRONIC TECHNOLOGY Co., LTD
全球 互联零组件制造企业

TOLERANCE UNLESS OTHERWISE STATED:
Up to 5 ±0.2
Above 5 ~ 15 ±0.3
Above 15 ~ 30 ±0.4
Above 30 ~ 50 ±0.5
Angle ±0.3°

3RD. ANGEL'S



UNITS MM

DRAWN BY:	DATE	MAT'L	TITLE	JACK
Jack Lu	11/20/19		MODLE	OPTICAL JACK
CHECKED BY:	DATE	FINISH	DWG NO.	OJ-421F07XXx-S214
Jacky Chen	11/20/19		PART NO.	OJ-421F07XXx-S214
APPROVED BY:	DATE	SCALE	1:1	
Tony Kao	11/20/19	SHEET NO.	1 of 1	

1

更新料號 Jack 112019

ITEM NO. DESCRIPTION DRAWN DATE

SIZE A4
VER R1