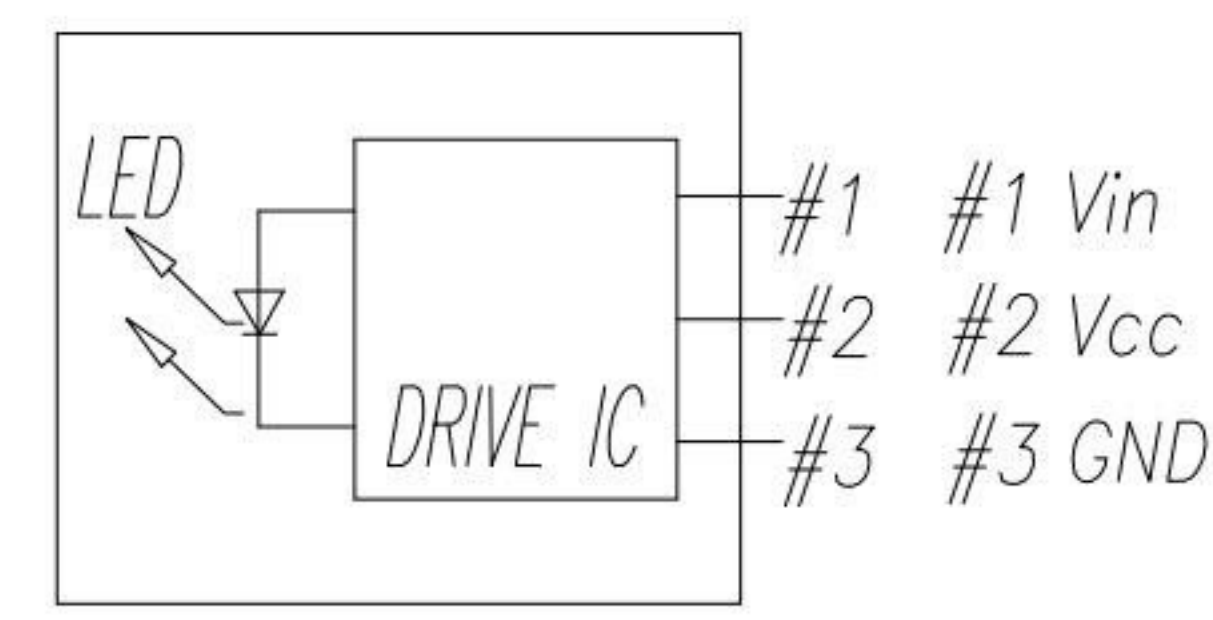
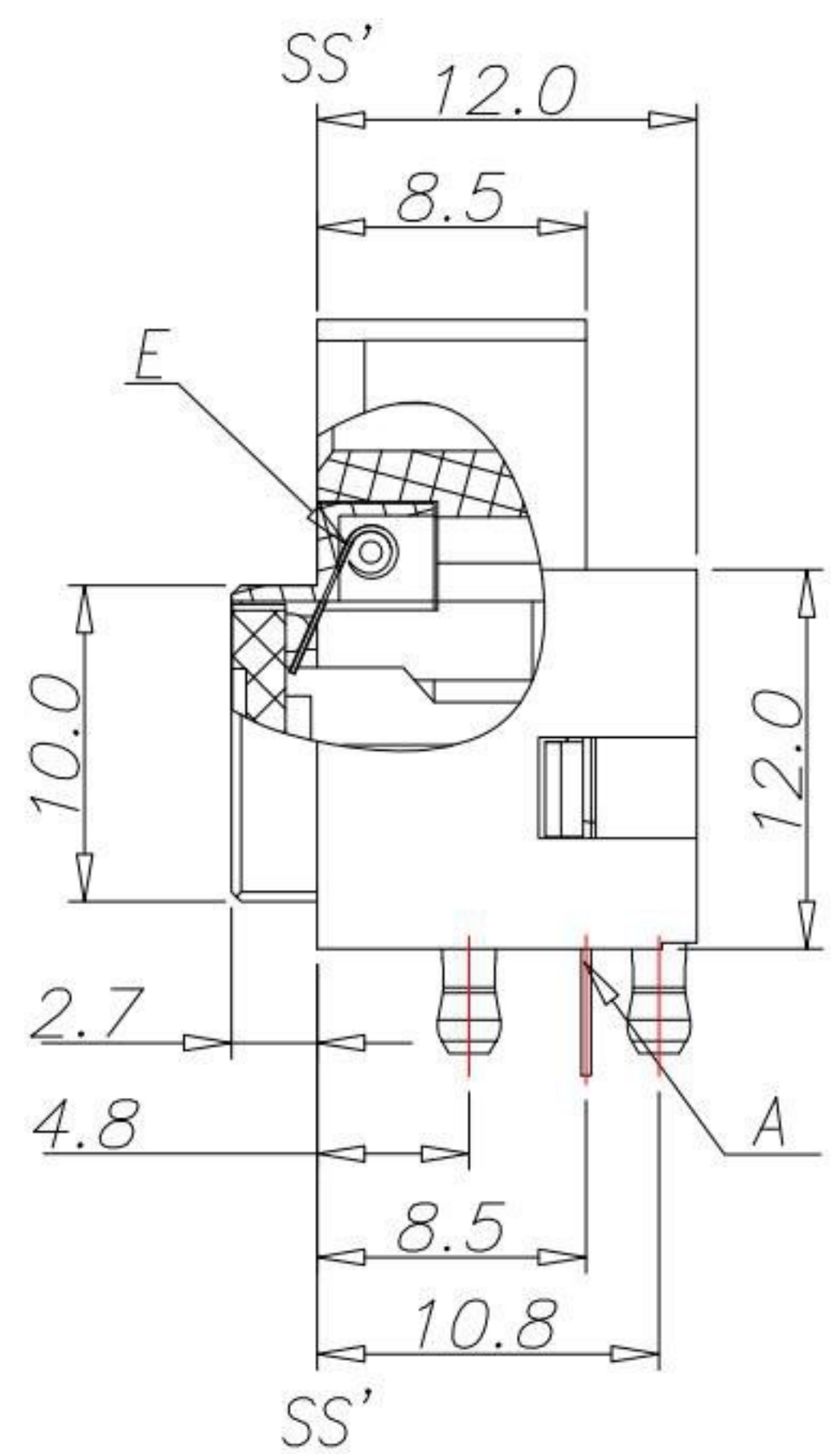
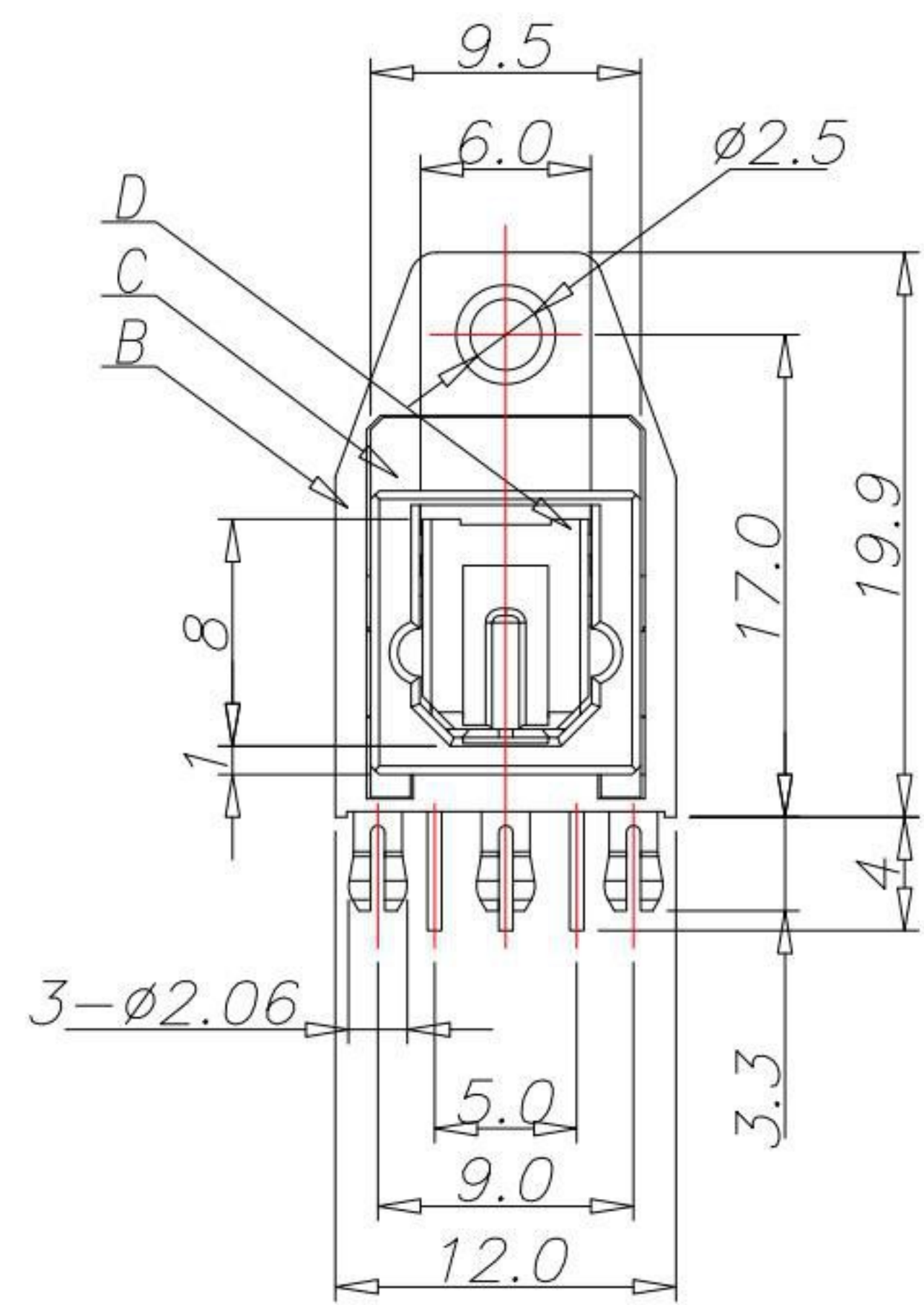


Recommend PCB Layout
(Jack Top View)



Internal equivalent circuit



SPECIFICATION

1. Voltage Rating: $V_{cc}=0.5\sim7V$, $V_{in}=-0.5\sim7.5V$
2. Current Rating: 10mA
3. Insertion Force: 2.5Kgf Max.
4. Extraction Force: 0.5Kgf Min.
5. Life test: 1,500 cycles
6. Temperature Range: $-20\text{ }^{\circ}\text{C}\sim70\text{ }^{\circ}\text{C}$

E	Coil Spring	1	STEEL	
D	Shutter	1	PBT,UL94 V-0	Black
C	Case	1	PBT,UL94 V-0	Black
B	Housing	1	PBT,UL94 V-0	Black
A	DRIVE IC	1	16Mbps(DRIVE IC SPEC)	
NO.	PART NAME	Q'TY	DESCRIPTION	PLATING & COLOR

KSD 科斯达电子科技有限公司
SWITCH CONNECTOR KSD ELECTRONIC TECHNOLOGY Co., LTD
全球 互联零组件制造企业

TOLERANCE UNLESS OTHERWISE STATED:	Up to 5 ±0.2	3RD. ANGEL'S	UNITS	MM
	Above 5 ~ 15 ±0.3			
	Above 15 ~ 30 ±0.4			
	Above 30 ~ 50 ±0.5			
	Angle ±0.3°			

DRAWN BY:	DATE	MAT'L	TITLE	JACK
Jack Lu	07/01/16			
CHECKED BY:	DATE	FINISH	MODLE	OPTICAL JACK(發射端)
Jacky Chen	07/01/16			
APPROVED BY:	DATE	SCALE	DWG NO.	OJ-B5018A-03DB-S214
Tony Kao	07/01/16	1:1		
		SHEET NO.	PART NO.	OJ-B5018A-03DB-S214
		1 of 1		

1	更新料號	Jack	070116
ITEM NO.	DESCRIPTION	DRAWN	DATE