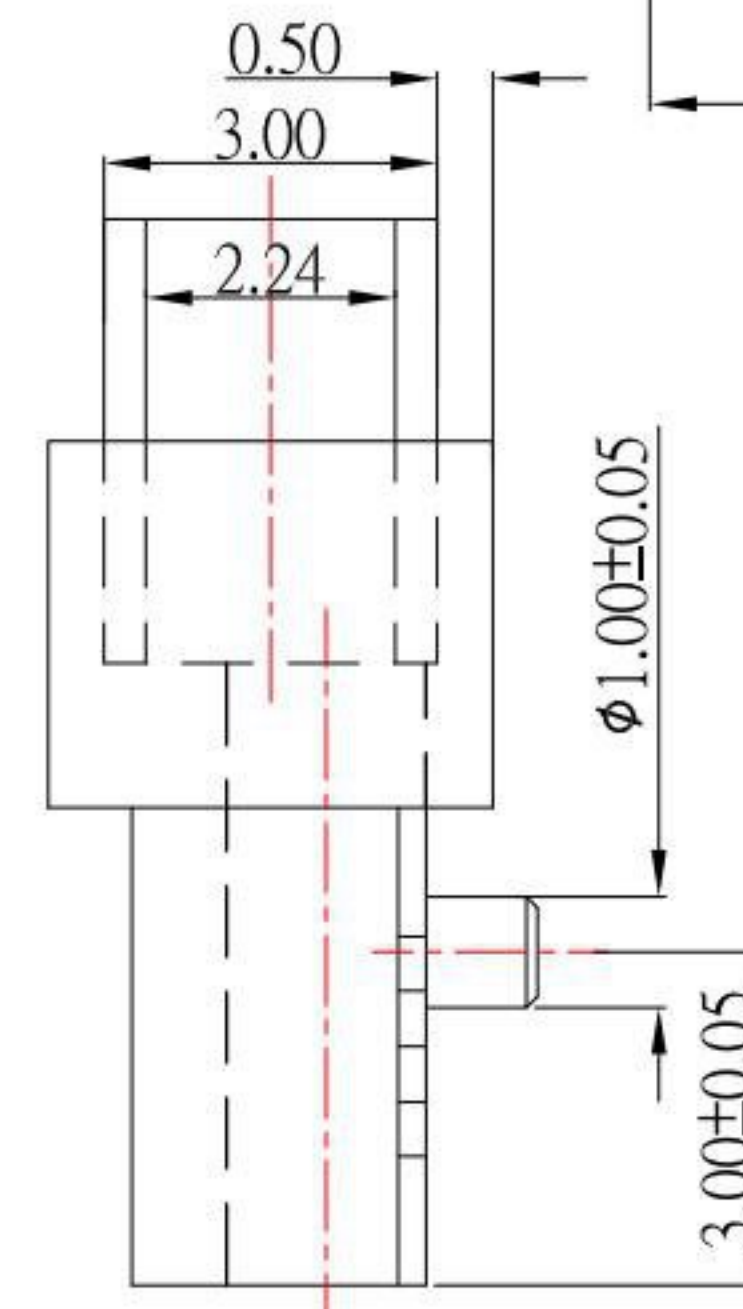
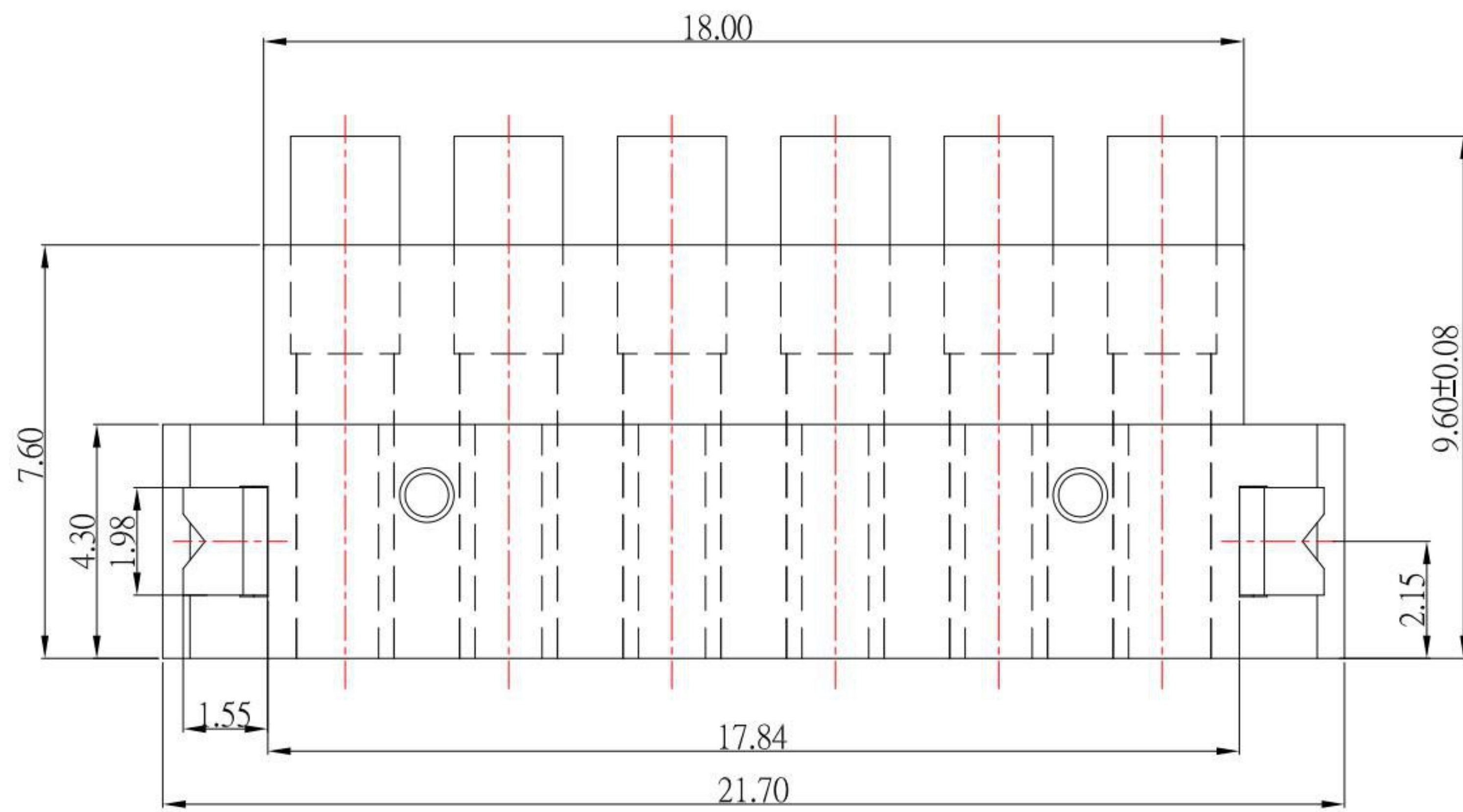
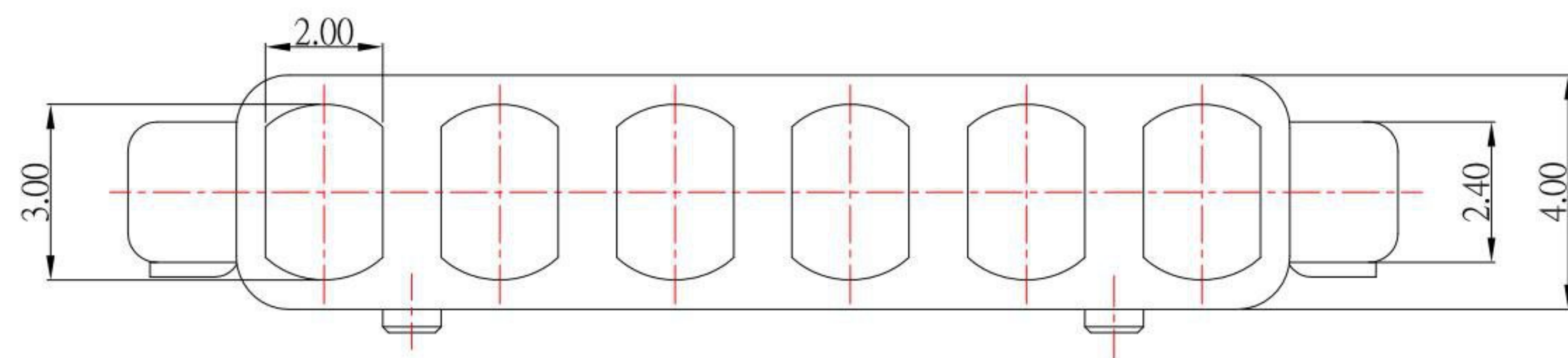


RECOMMEND PCB LAYOUT



NOTE

1. Material
Brass
2. Plating
Au over NI
3. Electrical
Rated current & voltage: DC 12V; 1.0A Max.
4. To ensure the best usage, please operate it based on the working height. Based on the engineering drawings, shall not exceed the maximum allowed compression.
5. To avoid arcing issue, The adaptor start to power supply after connector mated fully.



KSD 科斯达电子科技有限公司
SWITCH CONNECTOR KSD ELECTRONIC TECHNOLOGY Co., LTD
全球 互聯零組件 制造企业

TOLERANCE UNLESS OTHERWISE STATED:
Up to 5 ±0.2
Above 5 ~ 15 ±0.3
Above 15 ~ 30 ±0.4
Above 30 ~ 50 ±0.5
Angle ±0.3°

3RD. ANGEL'S
UNITS MM

DRAWN BY:	DATE	MAT'L	TITLE	CONNECTOR
Jack Lu	12/28/17			
CHECKED BY:	DATE	FINISH	MODLE	POGO PIN
Jacky Chen	12/28/17			
APPROVED BY:	DATE	SCALE	DWG NO.	PGC-3096-6P-S353
Tony Kao	12/28/17	1:1	PART NO.	PGC-3096-6P-S353
SHEET NO.		1 of 1	SIZE A4	
			VER R2	

2	新增尺寸	Jack	122817
1	更新圖面	Jack	122717
ITEM NO.	DESCRIPTION	DRAWN	DATE