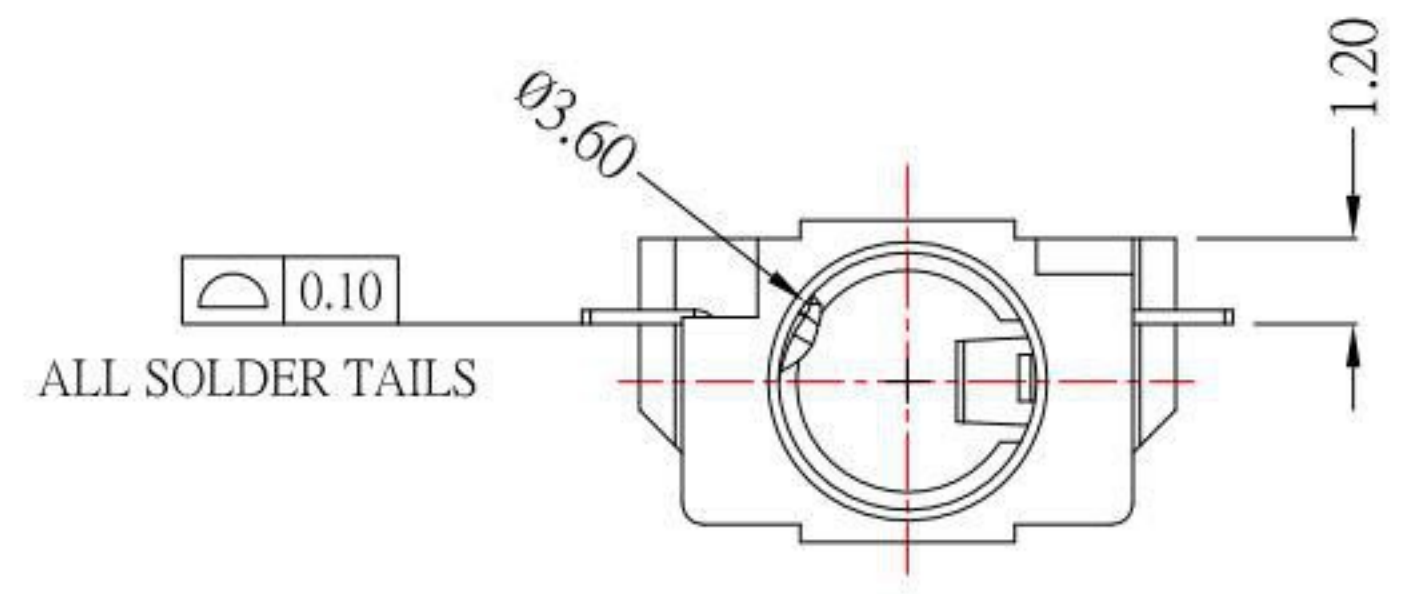
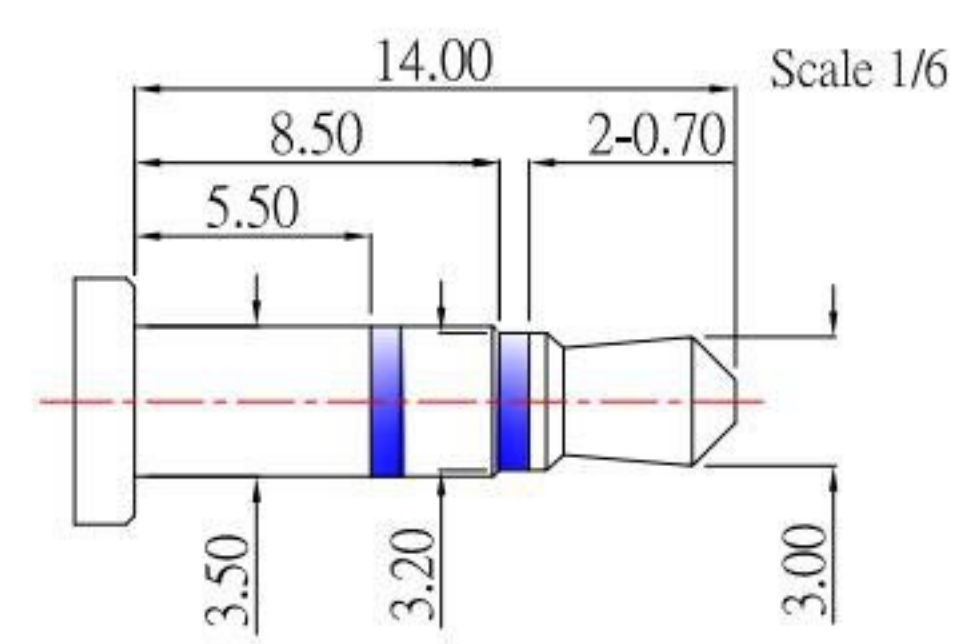
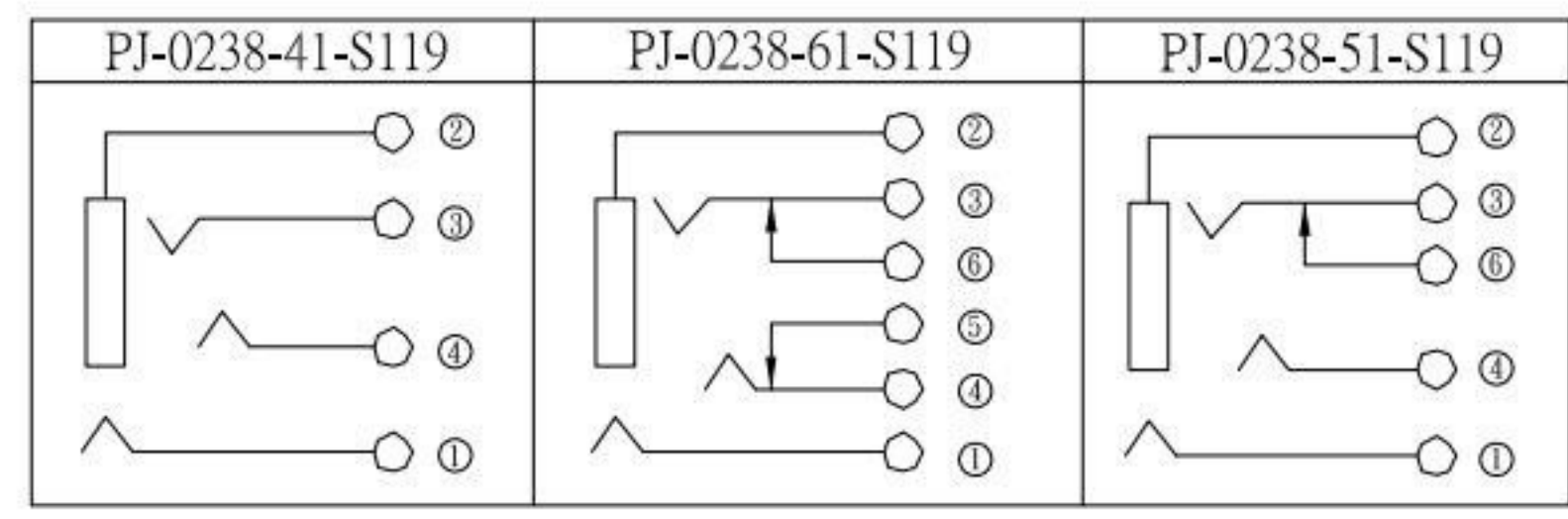


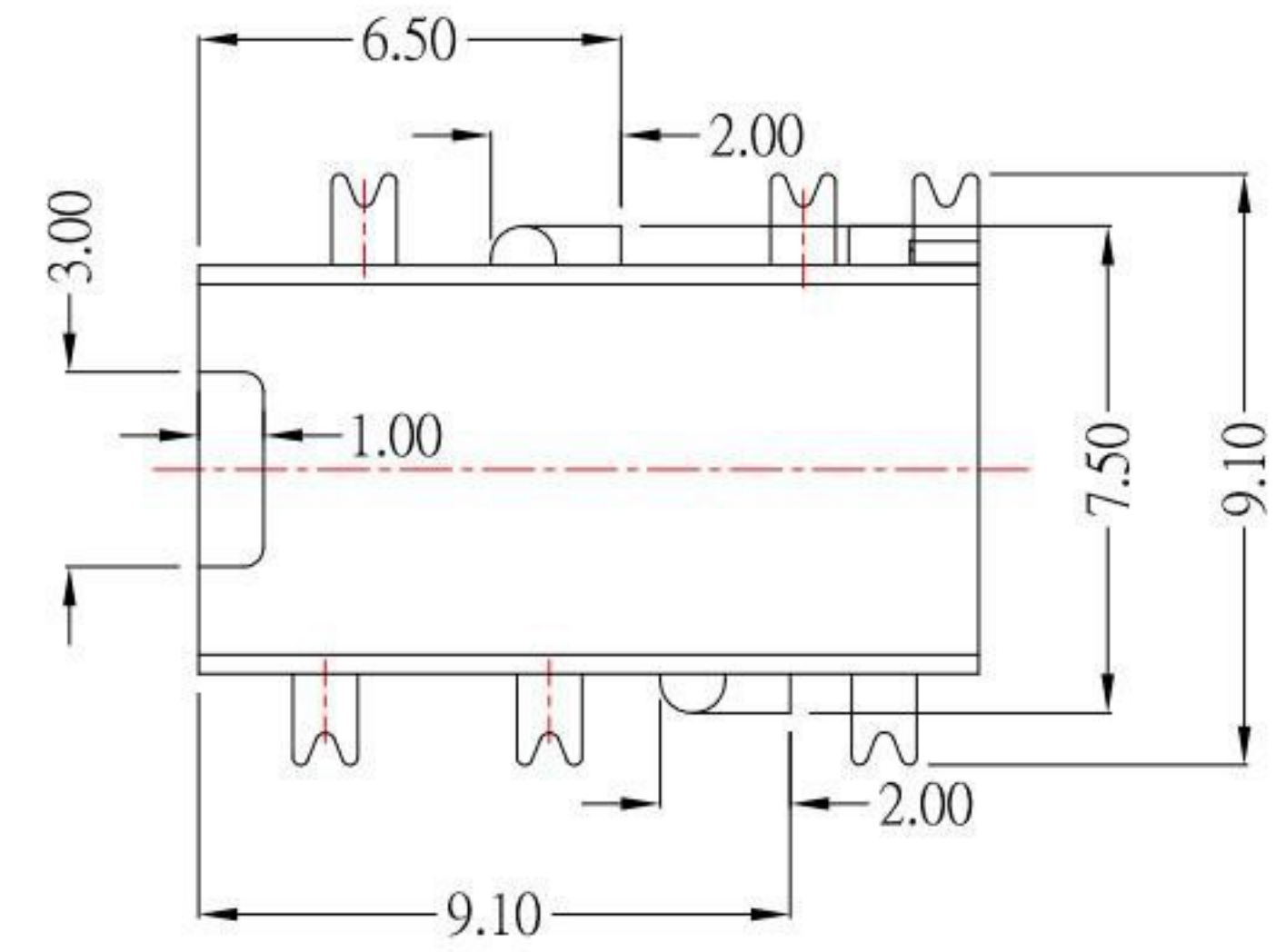
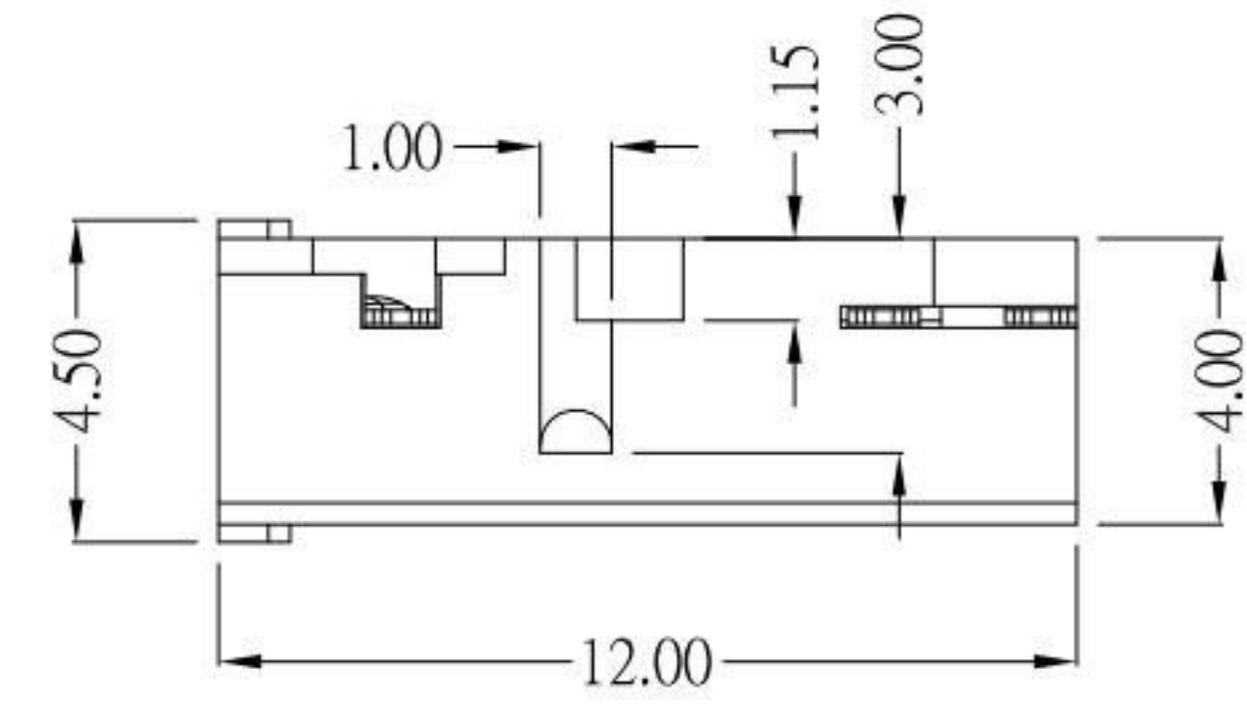
P.C.B LAYOUT
TOP VIEW



SCHEMATIC



(ø3.50 3 POLE PLUG DETAIL DRAWING)



SPECIFICATIONS:

- CONTACT CURRENT RATING: 0.5A.
- CONTACT RESISTANCE: 50 mΩ MAX.;
- INSULATION RESISTANCE: 100MΩ MIN.;
- DIELECTRIC WITHSTANDING: 500V AC MIN.;
- CONNECTOR MATING FORCES: 29.4N (3.00Kgf) MAX.;
- CONNECTOR UNMATING FORCES: 2.94N(0.30Kgf) MIN.

ITEM	PART NAME	QTY	MATERIAL	REMARK
⑦	HOUSING	1	HIGHT TEMPERATURE PLASTIC	
⑥	CONTACT F1	1	BRASS	
⑤	CONTACT E1	1	BRASS	
④	CONTACT D1	1	BeCu	
③	CONTACT C1	1	BeCu	
②	CONTACT C1	1	BeCu	
①	CONTACT B	1	PHOSPHOR BRONZE	

KSD 科斯达电子科技有限公司
SWITCH CONNECTOR 全球 互联网 零组件 制造企业
KSD ELECTRONIC TECHNOLOGY Co., LTD

TOLERANCE UNLESS OTHERWISE STATED:	Up to 5 ±0.2	3RD. ANGEL'S	UNITS	MM
	Above 5 ~ 15 ±0.3			
	Above 15 ~ 30 ±0.4			
	Above 30 ~ 50 ±0.5			
	Angle ±0.3			

DRAWN BY:	DATE
Jack Lu	12/23/14
CHECKED BY:	DATE
Jacky Chen	12/23/14
APPROVED BY:	DATE
Tony Kao	12/23/14

MAT'L	TITLE	JACK
FINISH	MODLE	PHONE JACK
SCALE	DWG NO.	PJ-0238-xx-S119
SHEET NO.	PART NO.	PJ-0238-xx-S119
		SIZE A4
		VER A1

ITEM NO.	DESCRIPTION	DRAWN	DATE
2	更新料號選項	Jack	122314
1	更新為A0版	Jack	010914