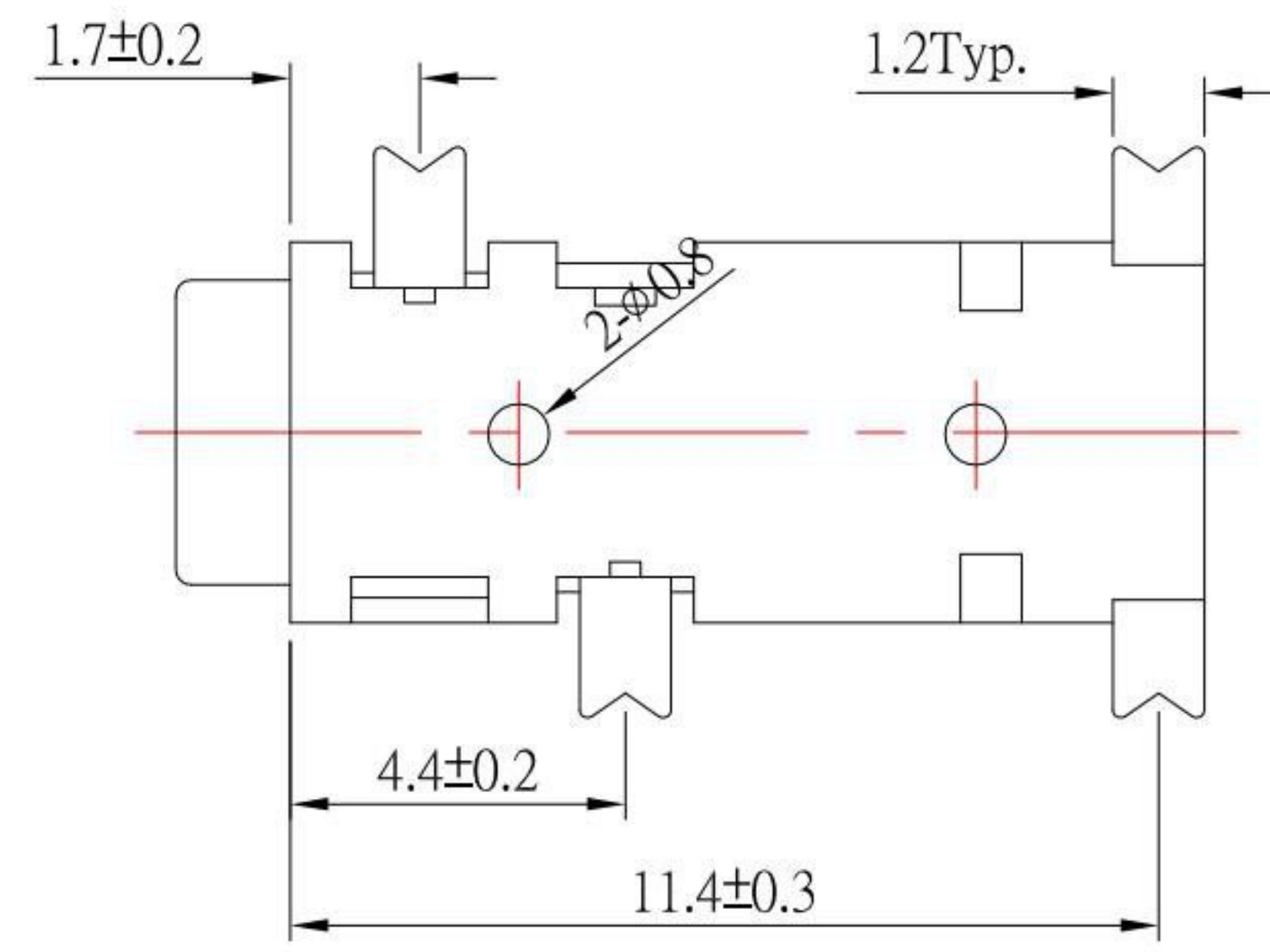
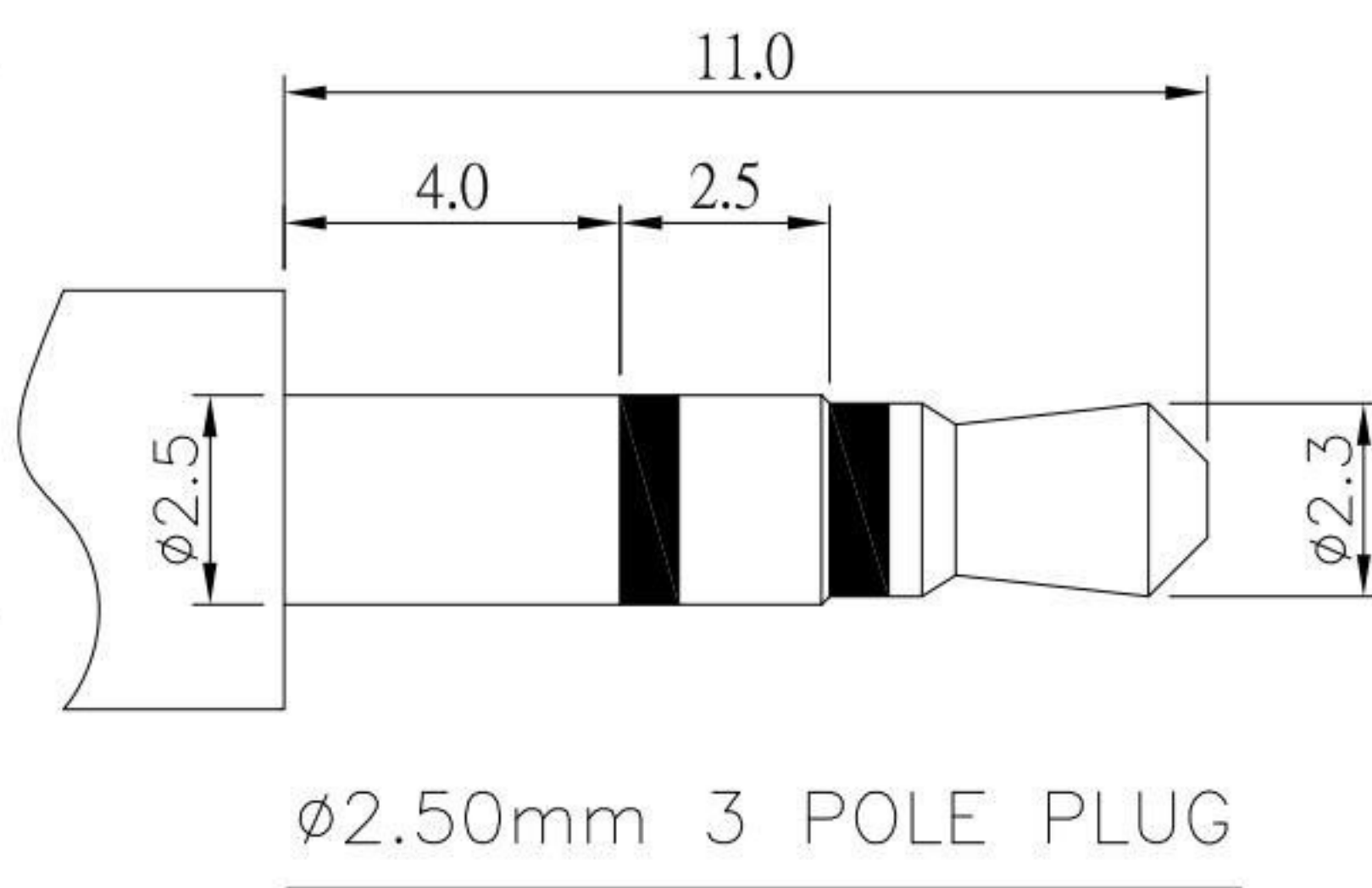


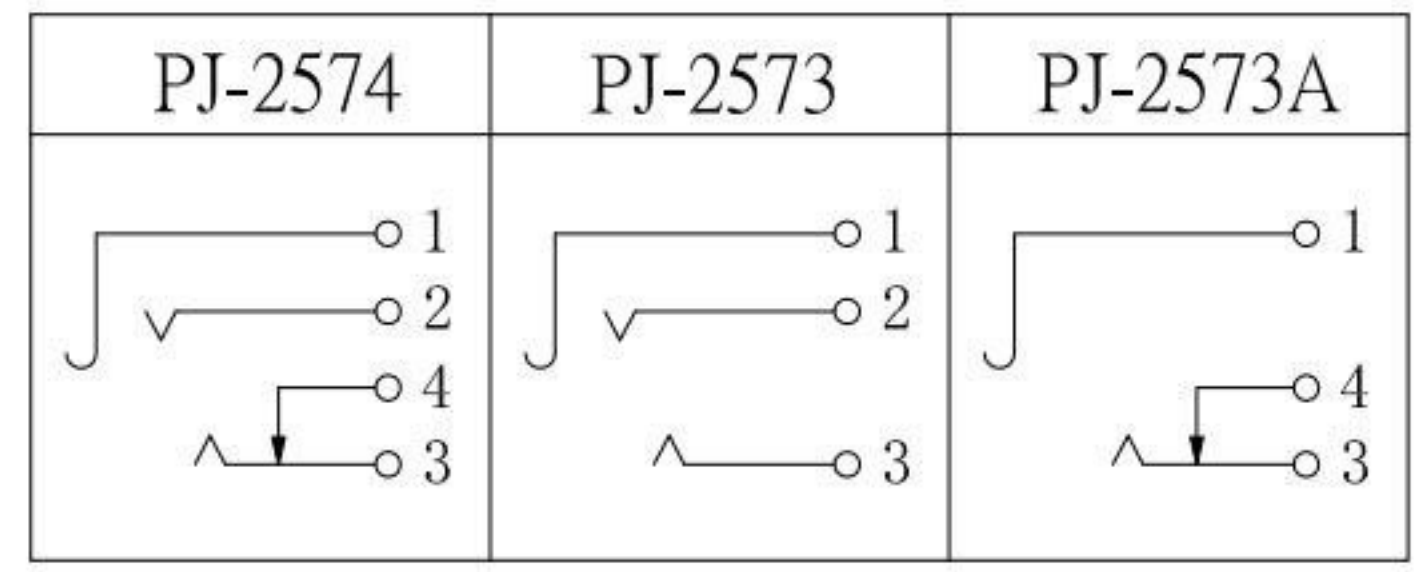
P.C.B LAYOUT MOUNTING PATTERN (TOP VIEW)



SPECIFICATION

1. Rating : DC 30V 0.5A
2. Contact resistance : ≤30mΩ
3. Insulation resistance : ≥100MΩ
4. Withstand voltage : 500VAC
5. Insertion and extraction force : 3-20N
6. life test : 5,000 cycles

SCHEMATIC



NO.	DESCRIPTION	QTY	MATERIAL	PLATING
5	HOUSING	1	PA9T	
4	CURVE PIECE	1	BRASS	Ag-Plating
3	SPRING	1	PHOSPHOR BRONZE	Ag-Plating
2	SPRING	1	PHOSPHOR BRONZE	Ag-Plating
1	SPRING	1	PHOSPHOR BRONZE	Ag-Plating

KSD 科斯达电子科技有限公司
 SWITCH CONNECTOR KSD ELECTRONIC TECHNOLOGY Co., LTD
 全球 互联零组件制造企业

TOLERANCE UNLESS OTHERWISE STATED:
 Up to 5 ±0.2
 Above 5 ~ 15 ±0.3
 Above 15 ~ 30 ±0.4
 Above 30 ~ 50 ±0.5
 Angle ±0.3°

3RD. ANGEL'S

UNITS MM

DRAWN BY:	DATE	MAT'L	TITLE	JACK
Jack Lu	04/23/21		MODLE	PHONE JACK
CHECKED BY:	DATE	FINISH	DWG NO.	PJ-257x-S124
Jacky Chen	04/23/21		PART NO.	PJ-257x-S124
APPROVED BY:	DATE	SCALE	1:1	
Tony Kao	04/23/21	SHEET NO.	1 of 1	

ITEM NO.	DESCRIPTION	DRAWN	DATE
1	更新樣式	Jack	042321

SIZE A4
 VER R1