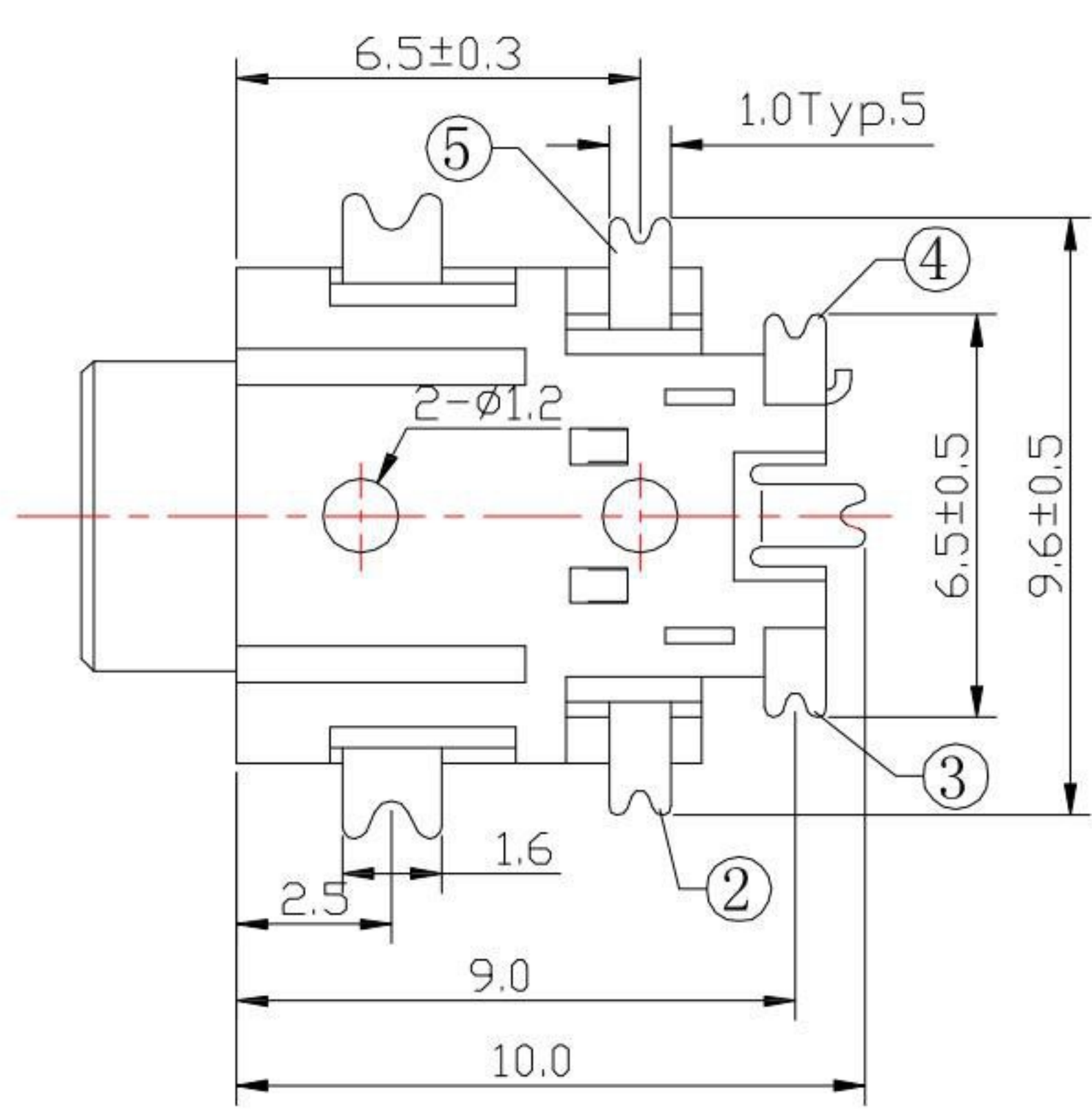
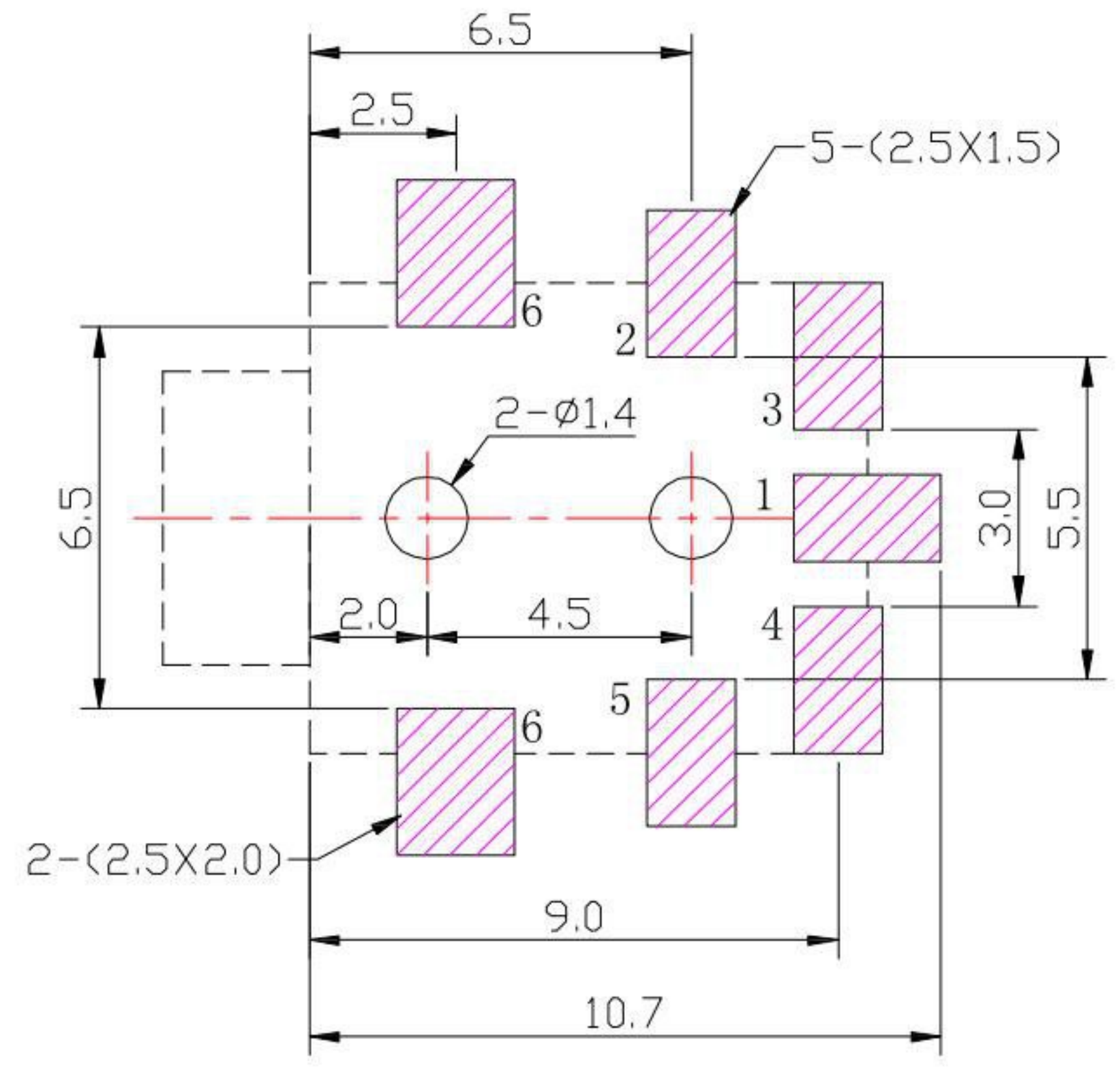
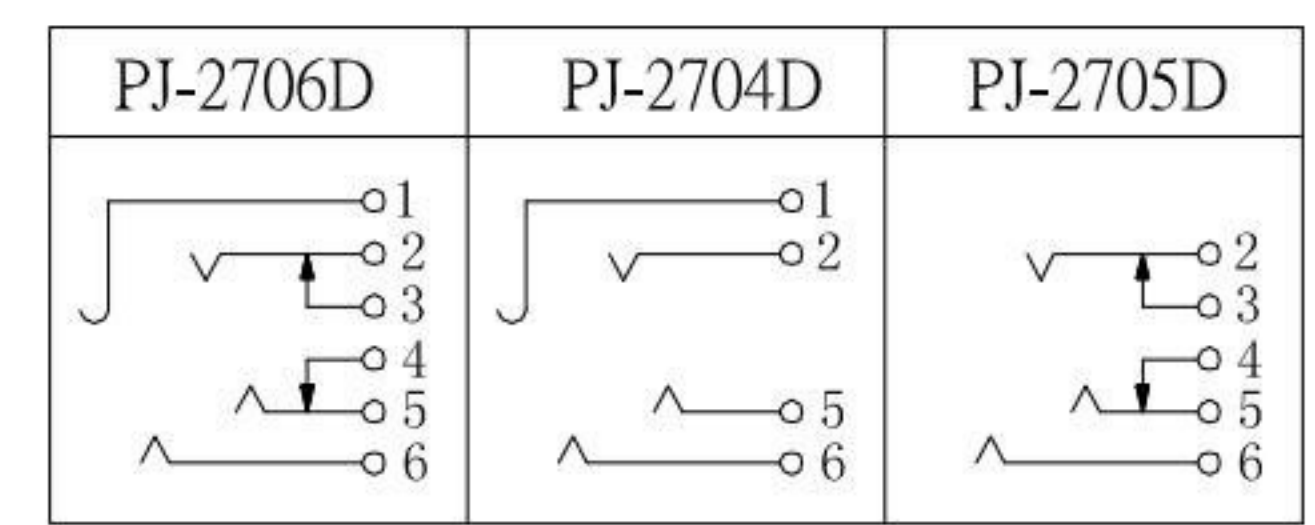


SCHEMATIC



SPECIFICATION

1. Rating : DC 30V , 1.0A
2. Contact resistance : $\leq 30m\Omega$
3. Insulation resistance : $\geq 100M\Omega$
4. Withstand voltage : 500VAC
5. Insertion and extraction force : 3-20N
6. life test : 5,000 cycles

PCB LAYOUT MOUNTING PATTERN
TOP VIEW

⑦	HOUSING	1	PA9T	
⑥	6# CONTACT FOOT	1	PHOSPHOR BRONZE	Ag-Plating
⑤	5# CONTACT FOOT	1	SUS	Ag-Plating
④	4# CONTACT FOOT	1	BRASS	Ag-Plating
③	3# CONTACT FOOT	1	BRASS	Ag-Plating
②	2# CONTACT FOOT	1	SUS	Ag-Plating
①	1# CONTACT FOOT	1	SUS	Ag-Plating
NO.	DESCRIPTION	QTY	MATERIAL	PLATING

KSD 科斯达电子科技有限公司
SWITCH CONNECTOR KSD ELECTRONIC TECHNOLOGY Co., LTD
全球 互联网 零组件 制造企业

TOLERANCE UNLESS OTHERWISE STATED:	Up to 5 ±0.2	3RD. ANGEL'S	UNITS	MM
	Above 5 ~ 15 ±0.3			
	Above 15 ~ 30 ±0.4			
	Above 30 ~ 50 ±0.5			
	Angle			

DRAWN BY:	DATE	MAT'L	TITLE	JACK
Jack Lu	01/24/17			
CHECKED BY:	DATE	FINISH	MODLE	PHONE JACK
Jacky Chen	01/24/17			
APPROVED BY:	DATE	SCALE	DWG NO.	PJ-270xD-S125
Tony Kao	01/24/17	1:1		
		SHEET NO.	PART NO.	PJ-270xD-S125
		1 of 1		

ITEM NO.	DESCRIPTION	DRAWN	DATE
2	更新為A0版	Jack	012417
1	更新電路選項	Jack	051616

SIZE	A4
VER	A0