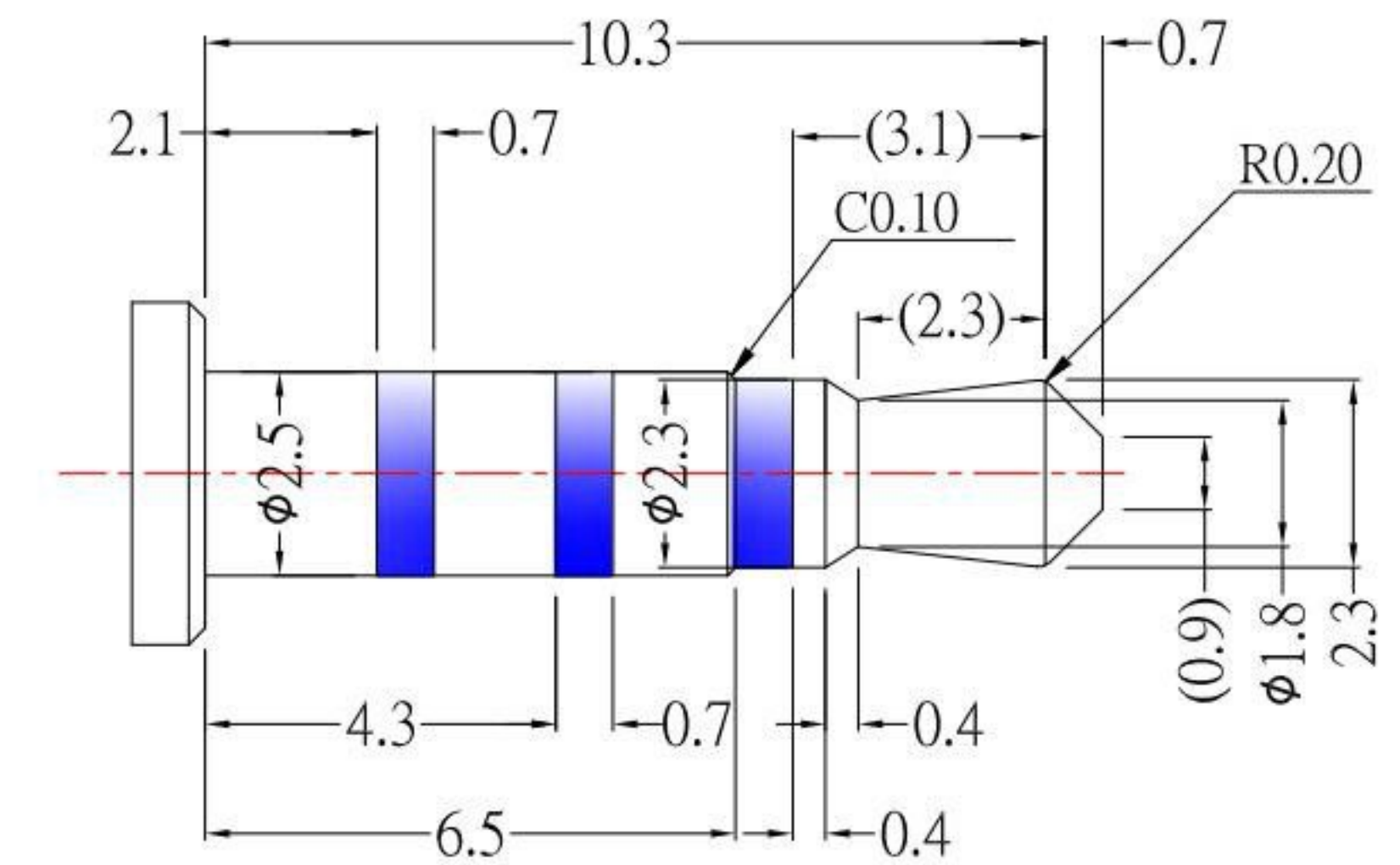
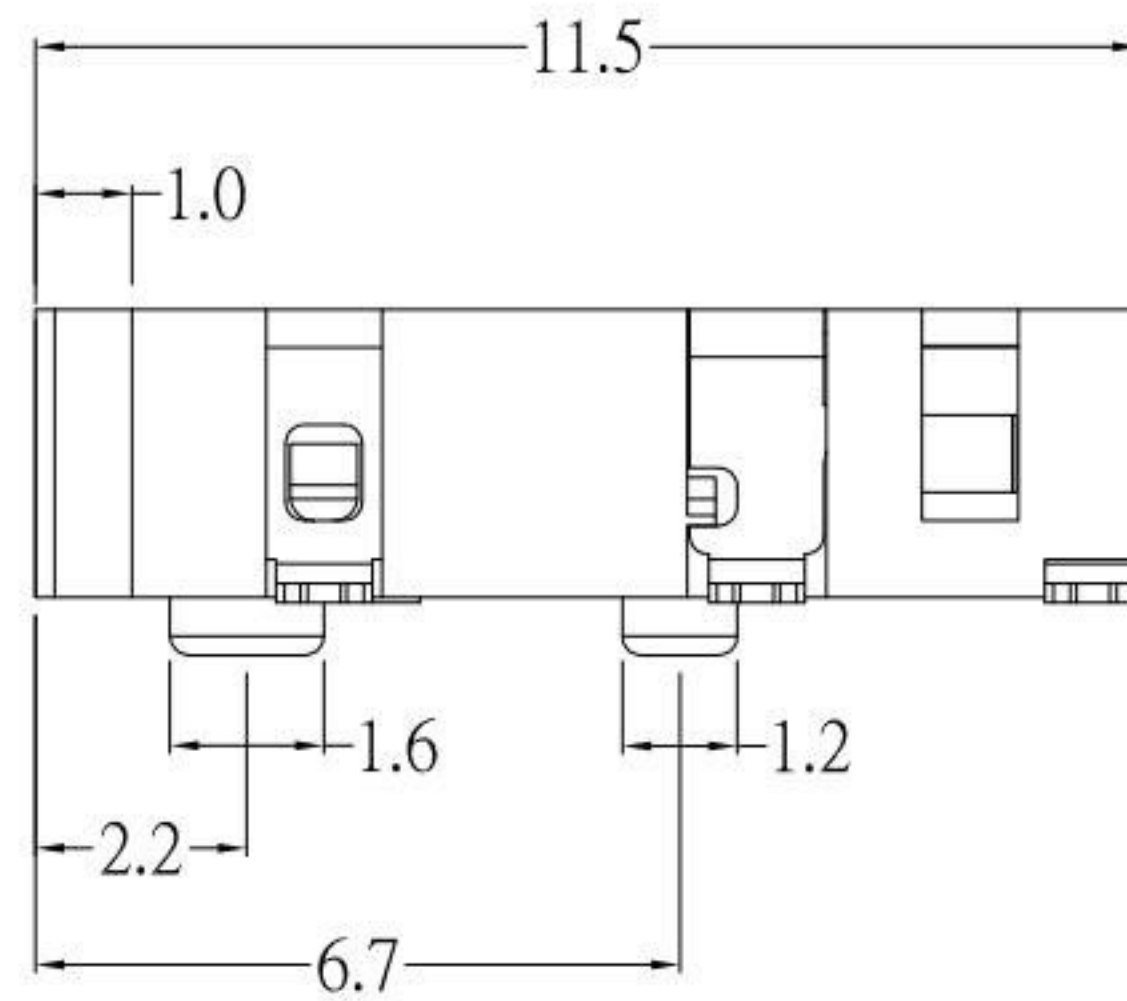
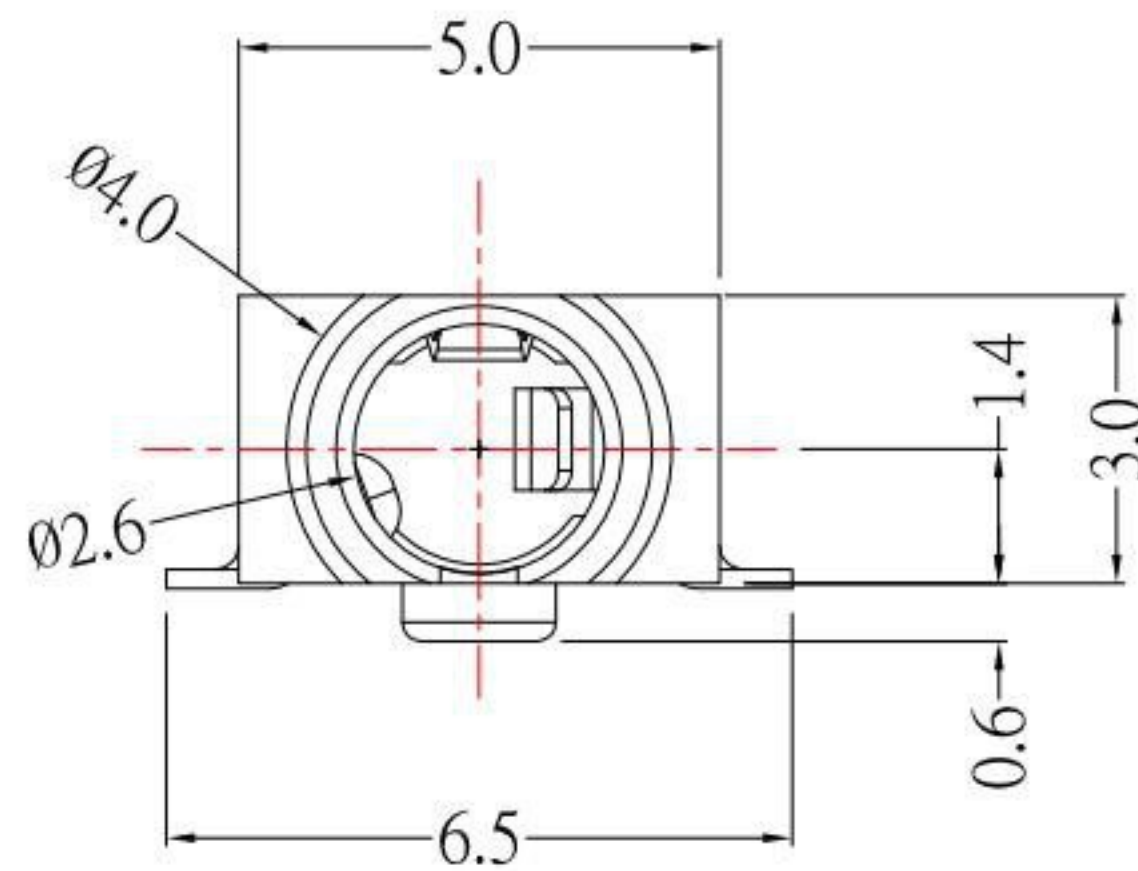
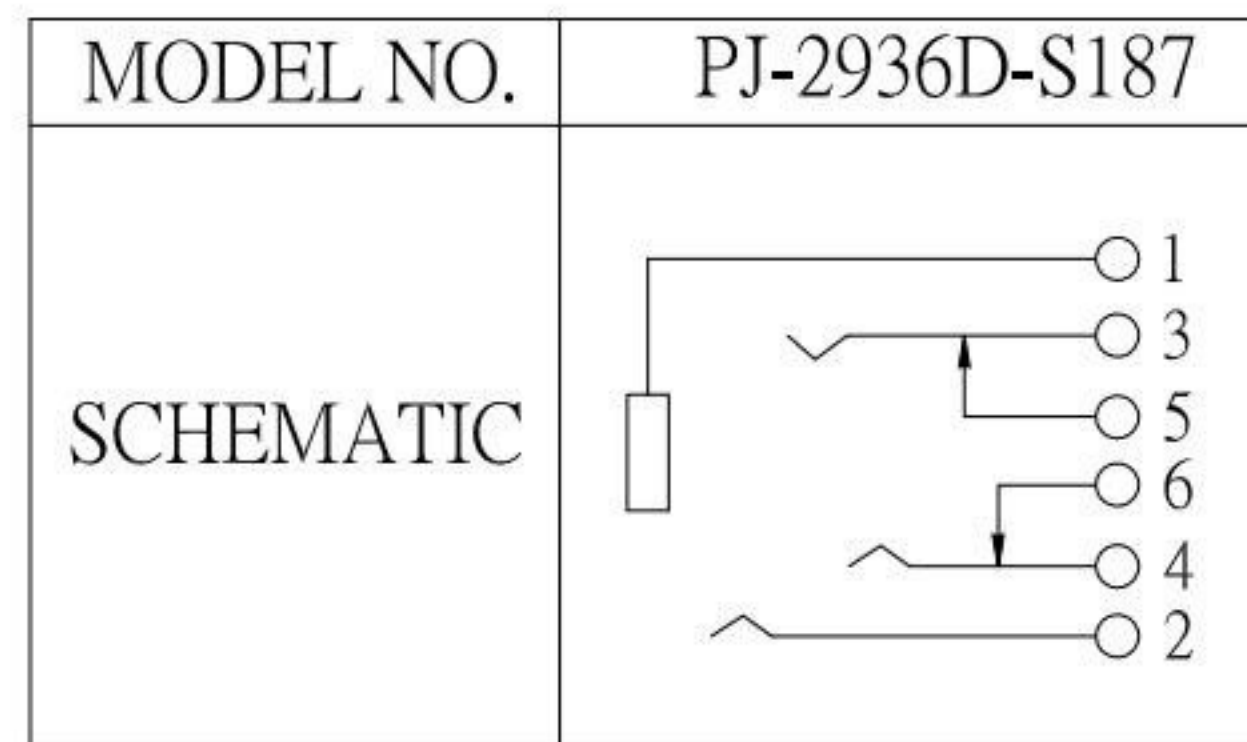
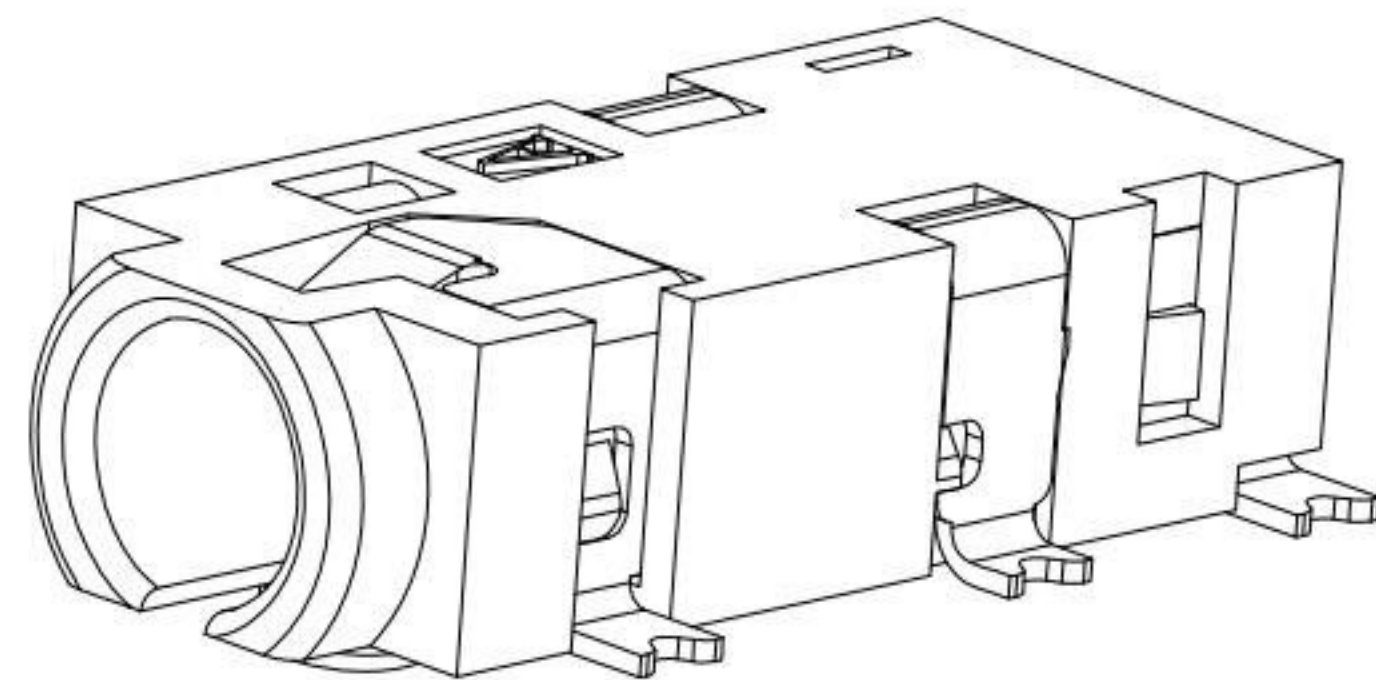


P.C.B LAYOUT(TOP VIEW)



φ2.50mm 4 POLE PLUG DETAIL DRAWING



NO.	DESCRIPTION	QTY	MATERIAL	REMARK
⑥	HOUSING	1	PA9T	Black
⑤	TERMINAL #5	2	Brass	Au-Plating
④	TERMINAL #4	1	Phosphor Bronze	Au-Plating
③	TERMINAL #3	1	Phosphor Bronze	Au-Plating
②	TERMINAL #2	1	Phosphor Bronze	Au-Plating
①	TERMINAL #1	1	Phosphor Bronze	Au-Plating

KSD 科斯达电子科技有限公司
 SWITCH CONNECTOR KSD ELECTRONIC TECHNOLOGY Co., LTD
 全球 互联零组件制造企业

TOLERANCE UNLESS OTHERWISE STATED:
 Up to 5 ±0.2
 Above 5 ~ 15 ±0.3
 Above 15 ~ 30 ±0.4
 Above 30 ~ 50 ±0.5
 Angle ±0.3

3RD. ANGEL'S

UNITS MM

DRAWN BY: Frank Wu DATE: 07/10/12
 CHECKED BY: Jacky Chen DATE: 07/10/12
 APPROVED BY: Tony Kao DATE: 07/10/12

MAT'L		TITLE	JACK
FINISH		MODLE	PHONE JACK
SCALE	1 : 1	DWG NO.	PJ-2936D-S187
SHEET NO.	1 of 1	PART NO.	PJ-2936D-S187

ITEM NO.	DESCRIPTION	DRAWN	DATE

SIZE A4
 VER A