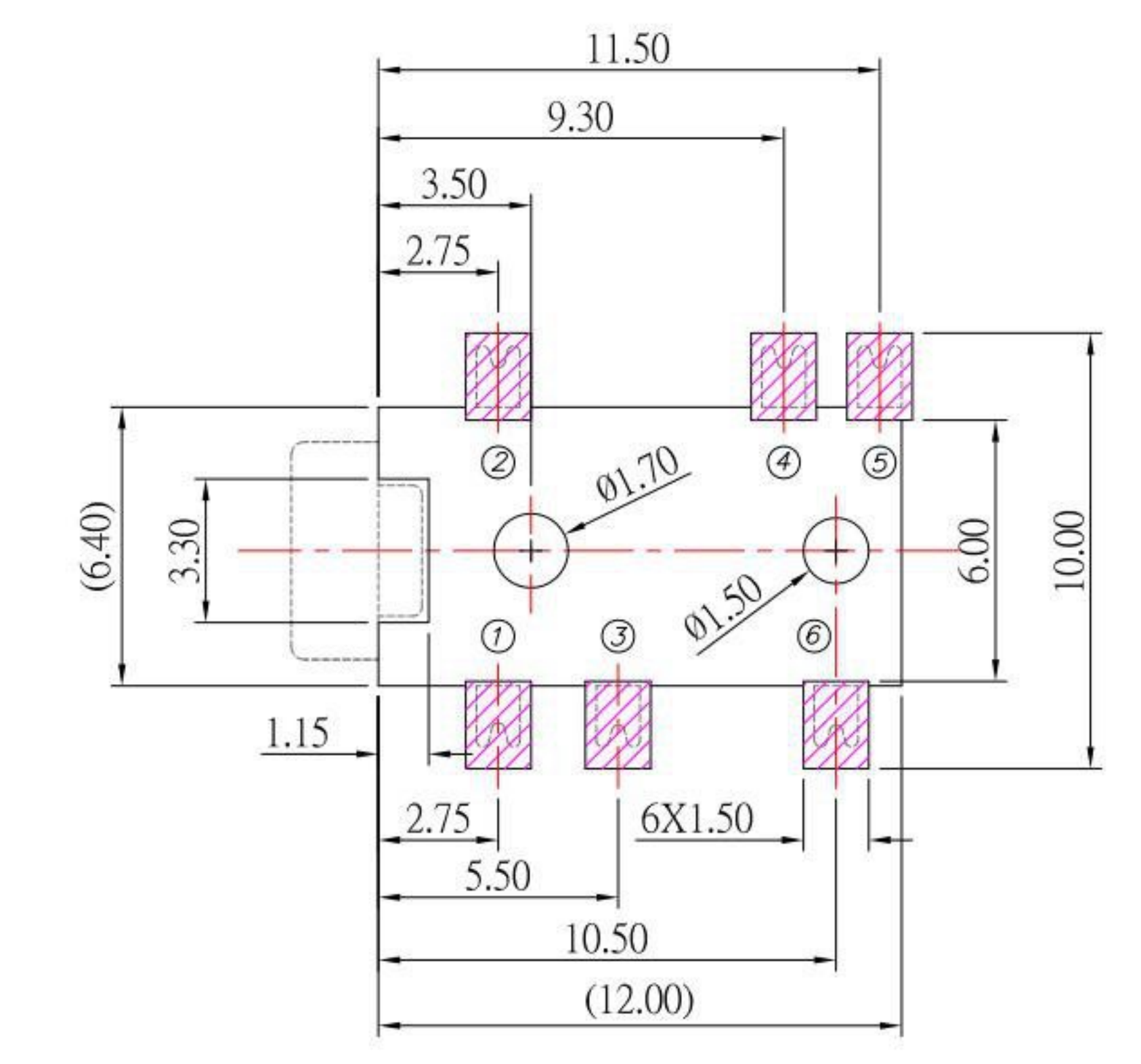
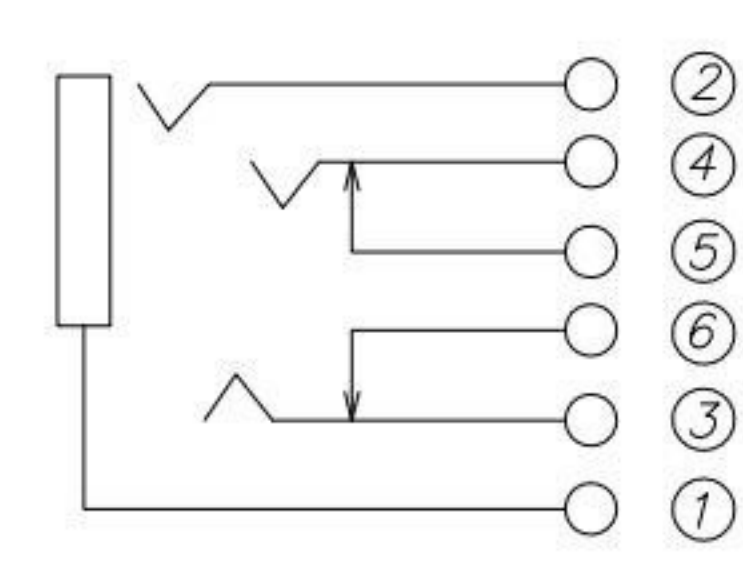
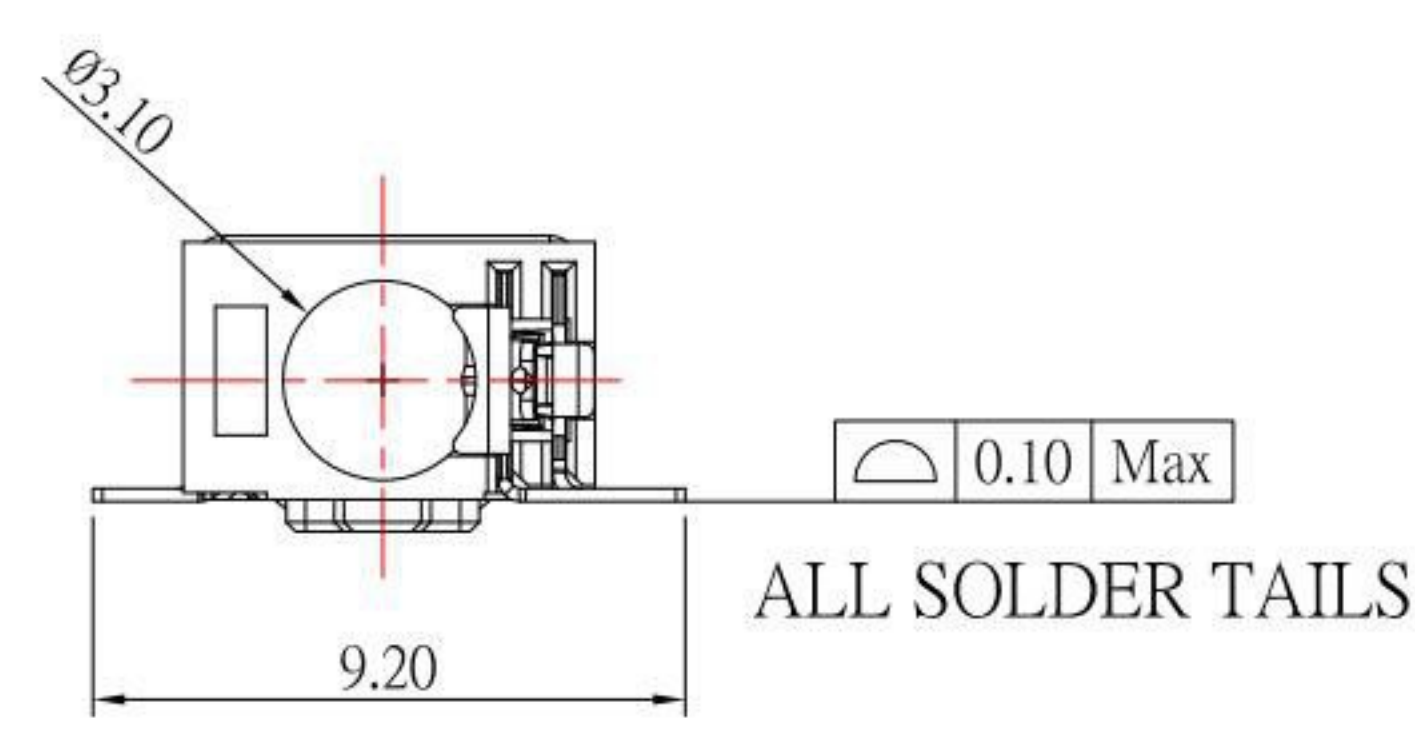


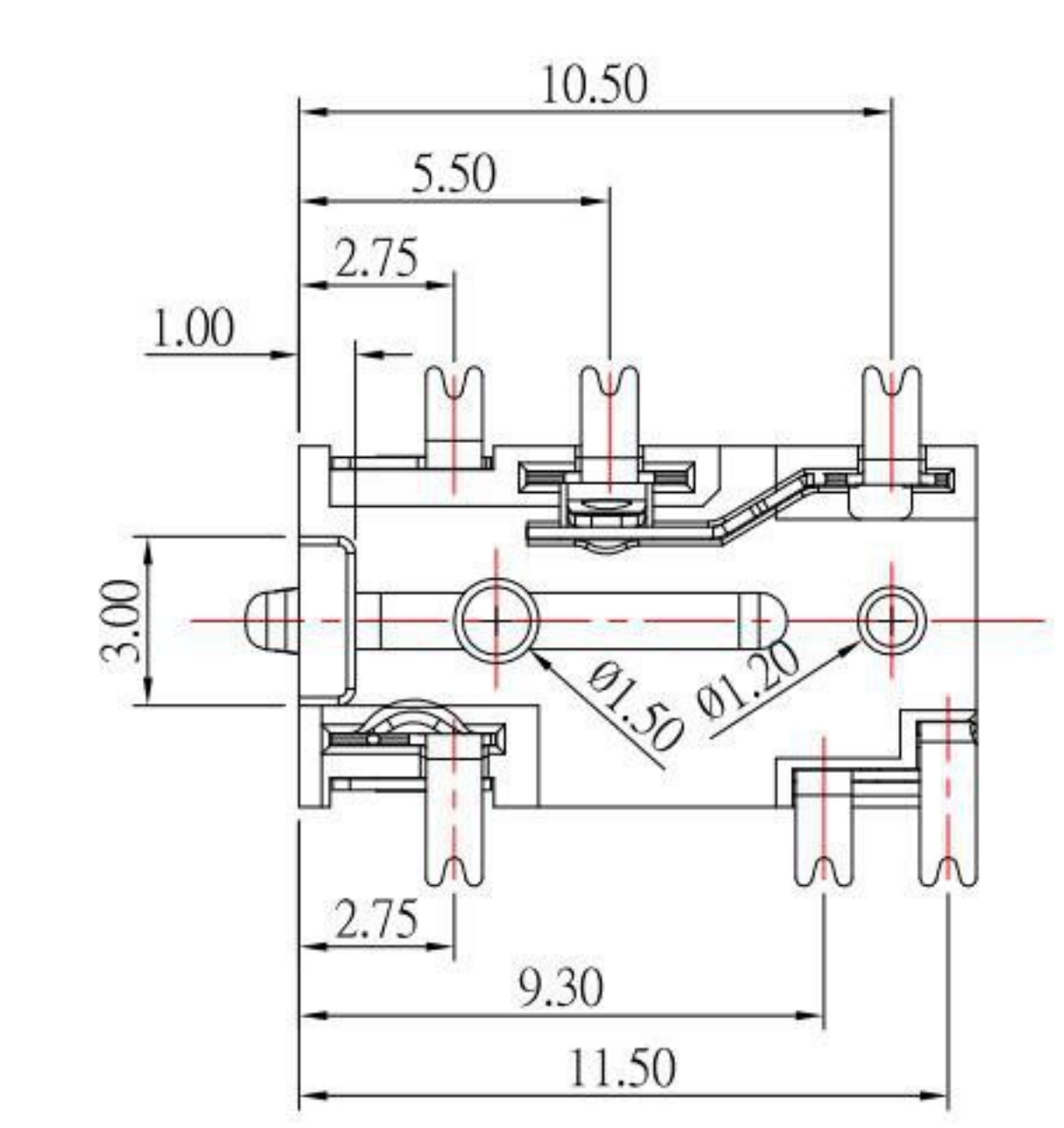
SCHEMATIC



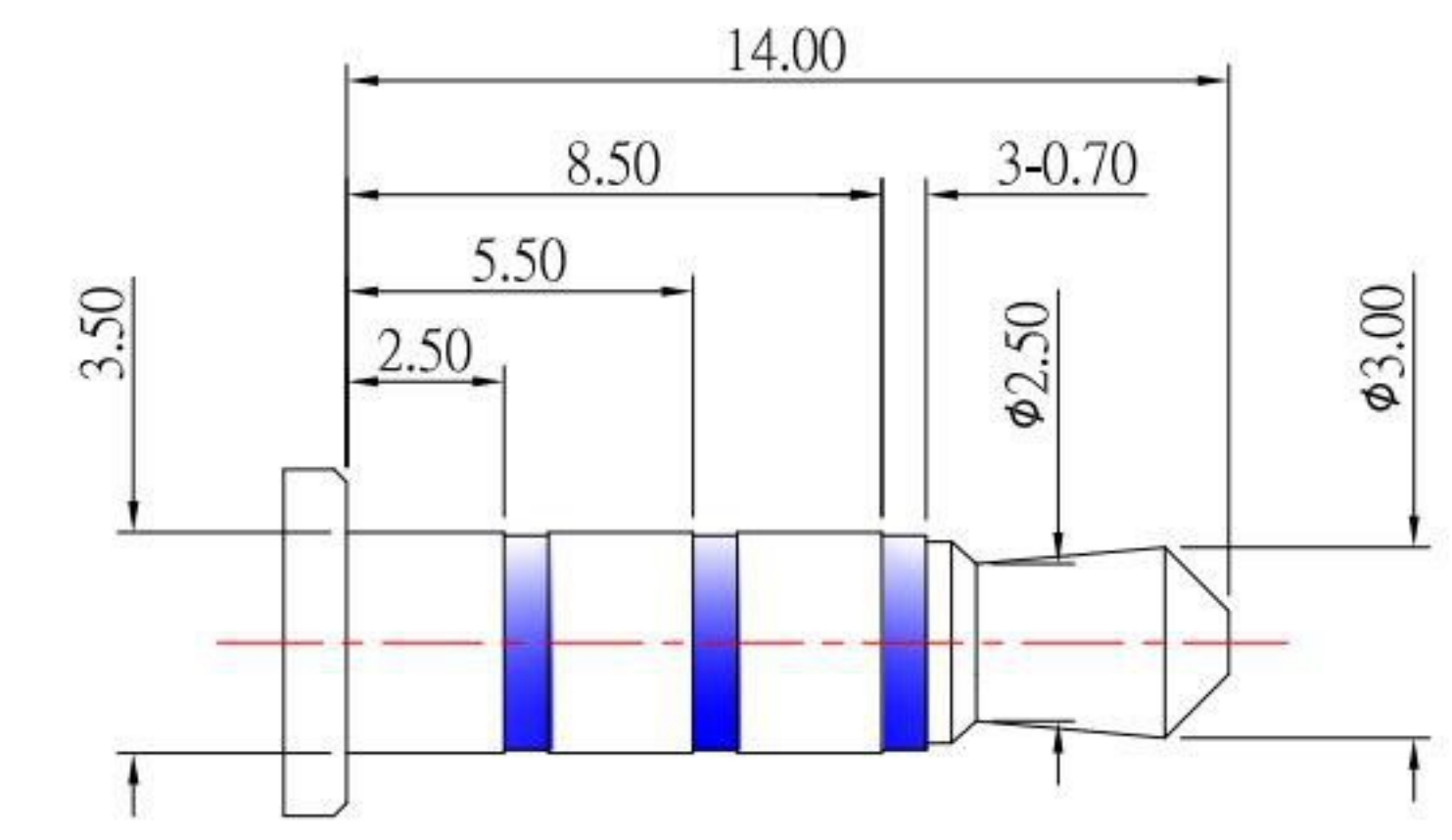
**RECOMMENDED PCB LAYOUT
TOP VIEW**



ALL SOLDER TAILS



NO SPIGOT



(3.50mm 4 POLE PLUG DETAIL DRAWING)

- NOTES:**
- CONTACT CURRENT RATING: 1A.
 - CONTACT RESISTANCE: 50 mΩ MAX.;
 - INSULATION RESISTANCE: 100MΩ MIN.;
 - DIELECTRIC WITHSTANDING: 500V AC MIN.;
 - DURABILITY: 10,000 CYCLES MIN.;
 - CONNECTOR MATING FORCES: 29.4N (3.00Kgf) MAX.;
 - CONNECTOR UNMATING FORCES: 2.94N(0.30Kgf) MIN.;

KSD 科斯达电子科技有限公司
 SWITCH CONNECTOR KSD ELECTRONIC TECHNOLOGY Co., LTD
 全球 互联零组件制造企业

TOLERANCE UNLESS OTHERWISE STATED:
 Up to 5 ±0.2
 Above 5 ~ 15 ±0.3
 Above 15 ~ 30 ±0.4
 Above 30 ~ 50 ±0.5
 Angle ±0.3°

3RD. ANGEL'S

UNITS MM

DRAWN BY:	DATE	MAT'L	TITLE	JACK
Frank Wu	12/22/11			
CHECKED BY:	DATE	FINISH	MODLE	PHONE JACK
Jacky Chen	12/22/11			
APPROVED BY:	DATE	SCALE	DWG NO.	PJ-30266-61-S119
Tony Kao	12/22/11	1 : 1	PART NO.	PJ-30266-61-S119
SHEET NO.	1 of 1			SIZE A4
				VER A

ITEM NO.	DESCRIPTION	DRAWN	DATE