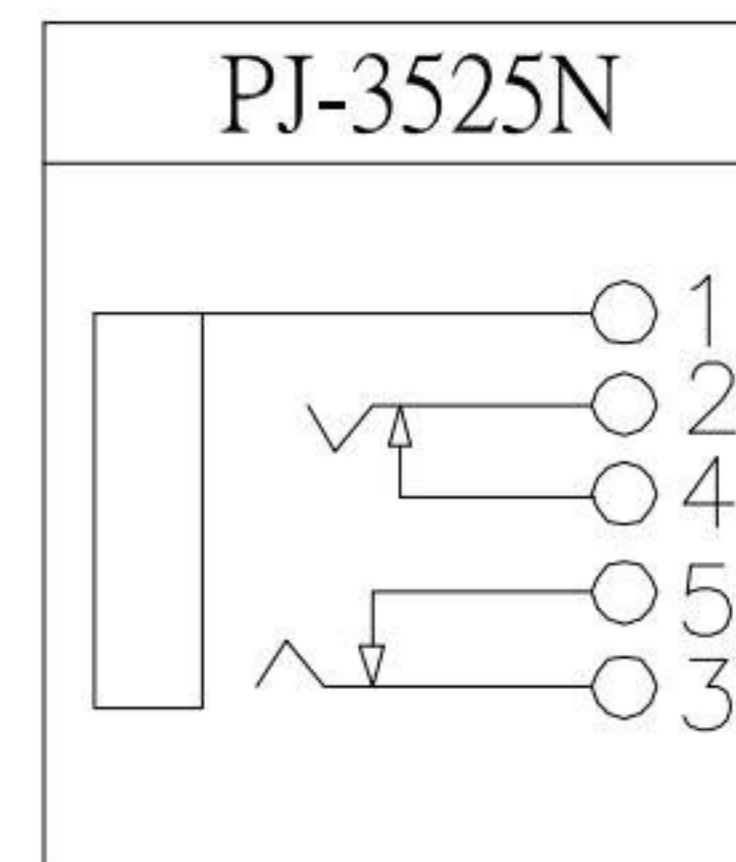
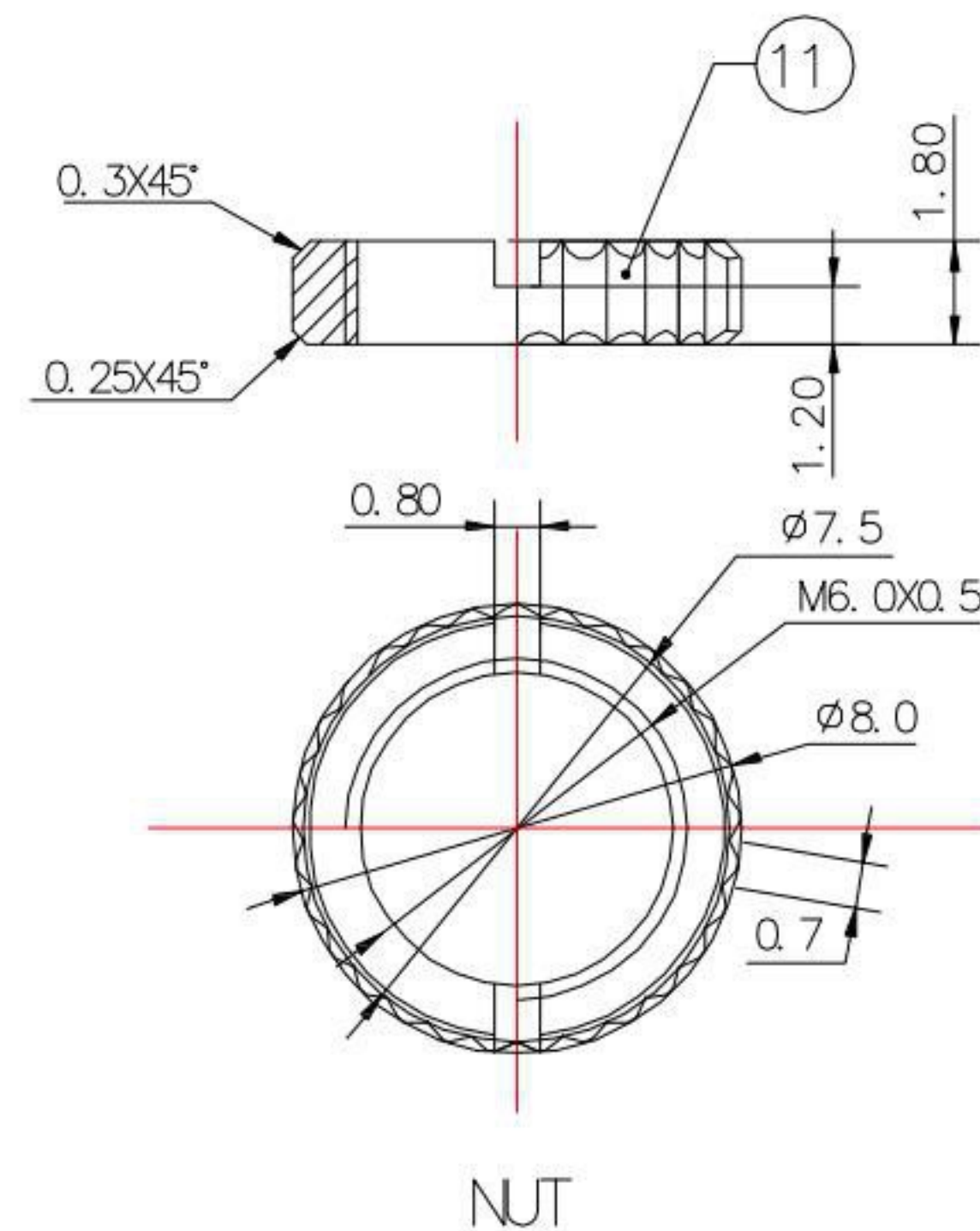


PCB LAYOUT



SPECIFICATION

- 1.Rating : DC 30V 1.0A
- 2.Contact resistance : ≤100mΩ
- 3.Insulation resistance : ≥100MΩ
- 4.Withstand voltage : 500VAC
- 5.Insertion and extraction force : 3-25N
- 6.life test : 5,000 cycles

NO.	DESCRIPTION	QTY	MATERIAL	PLATING
⑪	NUT	1	H59	Ni-Plating
⑩	SPRING-5	1	72A	Ni-Plating
⑨	SPRING-3	1	72A	Ni-Plating
⑧	SOCKET	1	H59	Ni-Plating
⑦	COVER	1	PC	Transparent
⑥	HOUSING	1	PA66	Black
⑤	TERMINAL-5	1	BRASS	Ag-Plating
④	TERMINAL-4	1	BRASS	Ag-Plating
③	TERMINAL-3	1	BRASS	Ag-Plating
②	TERMINAL-2	1	BRASS	Ag-Plating
①	TERMINAL-1	1	BRASS	Ag-Plating

ITEM NO.	DESCRIPTION	DRAWN	DATE
2	新增SPEC	Jack	110315
1	更新材質	Jack	091815

**KSD** 科斯达电子科技有限公司  
 SWITCH CONNECTOR 全球 互聯零組件 制造企业  
 KSD ELECTRONIC TECHNOLOGY Co., LTD

TOLERANCE UNLESS OTHERWISE STATED:  
 Up to 5 ±0.2  
 Above 5 ~ 15 ±0.3  
 Above 15 ~ 30 ±0.4  
 Above 30 ~ 50 ±0.5  
 Angle ±0.3°

3RD. ANGEL'S

UNITS MM

DRAWN BY:	DATE	MAT'L	TITLE	JACK
Jack Lu	11/03/15			
CHECKED BY:	DATE	FINISH	MODLE	PHONE JACK
Jacky Chen	11/03/15			
APPROVED BY:	DATE	SCALE	DWG NO.	PJ-3525N-S258
Tony Kao	11/03/15	1:1		
		SHEET NO.	PART NO.	PJ-3525N-S258
		1 of 1		

SIZE	A4
VER	R2