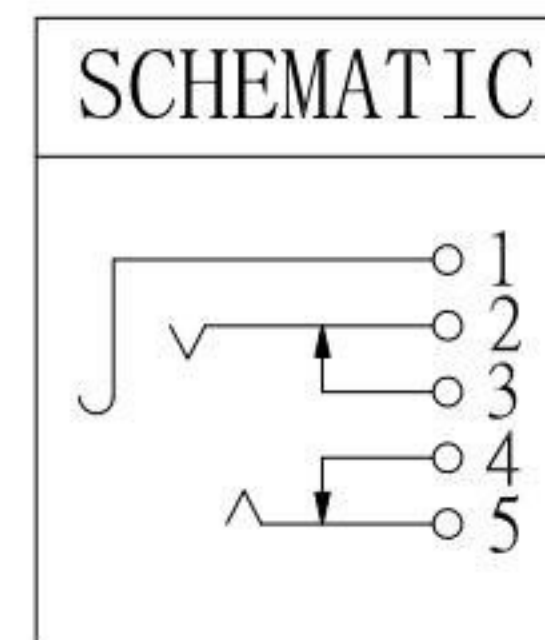
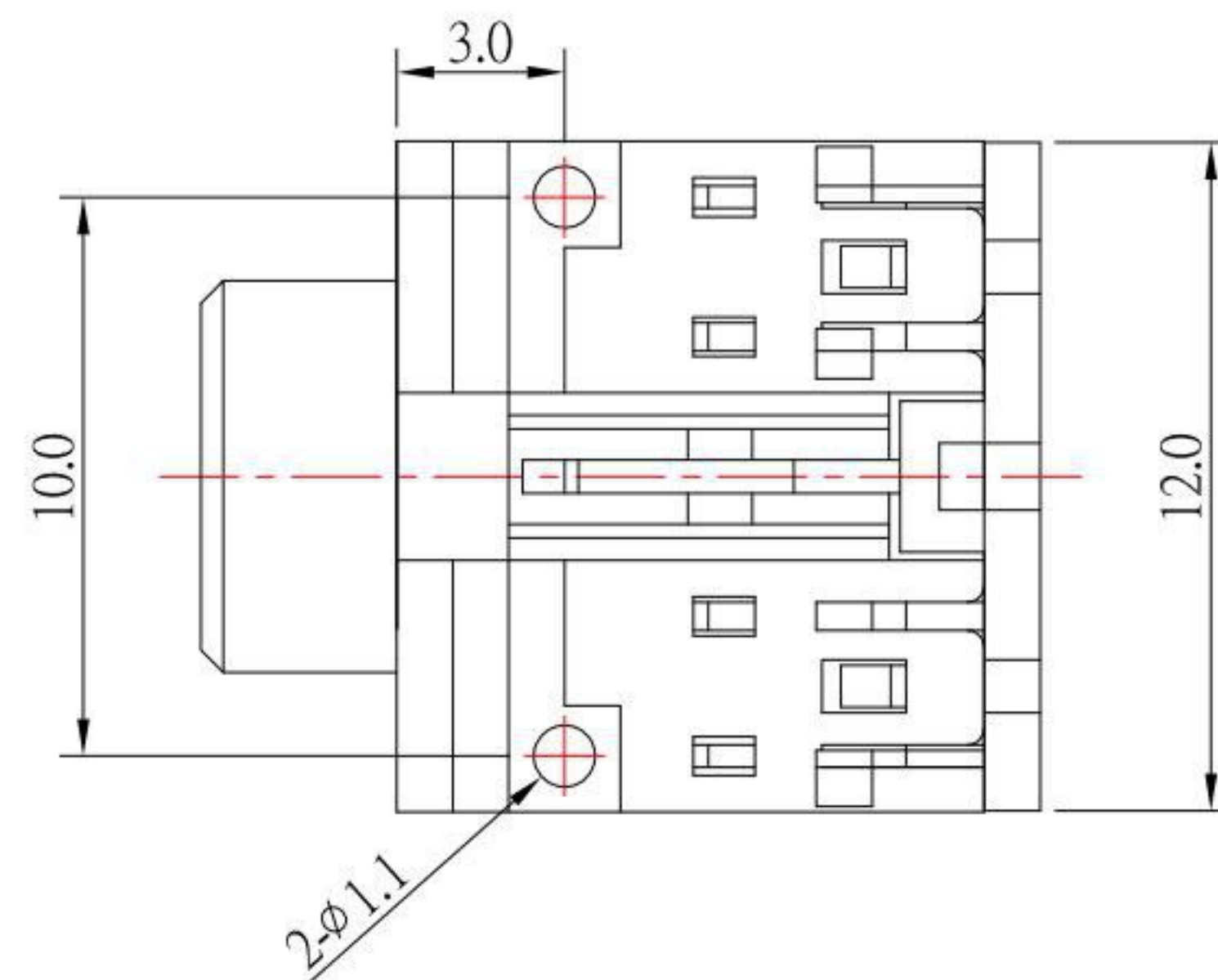
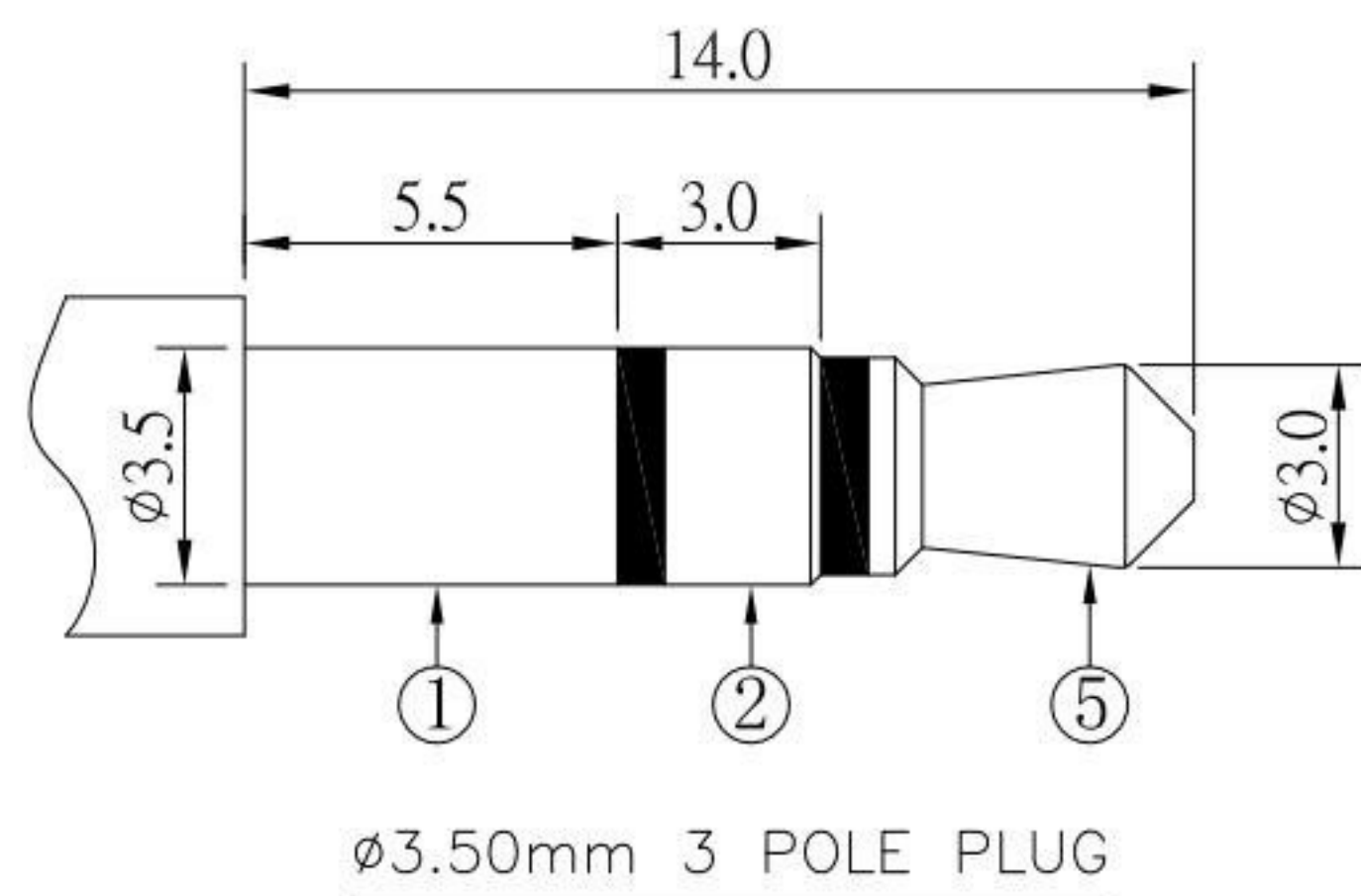


P.C.B LAYOUT MOUNTING PATTERN
(TOP VIEW)



SPECIFICATION

1. Rating : DC 30V, 1.0A ;
2. Contact resistance : $\leq 30m\Omega$;
3. Insulation resistance : $\geq 100M\Omega$;
4. Withstand voltage : 500VAC ;
5. Insertion and extraction force : 3-30N
6. life test : 5,000 cycles °

NO.	DESCRIPTION	QTY	MATERIAL	PLATING
7	COVER	1	PBT	
6	HOUSING	1	PBT	
5	5# CONTACT FOOT	1	PHOSPHOR BRONZE	Sn-Plating
4	4# CONTACT FOOT	1	BRASS	Sn-Plating
3	3# CONTACT FOOT	1	BRASS	Sn-Plating
2	2# CONTACT FOOT	1	PHOSPHOR BRONZE	Sn-Plating
1	1# CONTACT FOOT	1	BRASS	Sn-Plating

ITEM NO.	DESCRIPTION	DRAWN	DATE
6	更新樣式及尺寸	Jack	112922
5	更新樣式及尺寸	Jack	072121
4	更新樣式及尺寸公差	Jack	070821
3	更新樣式	Jack	090518
2	更新為A0版	Jack	011017
1	更新SPEC	Jack	122916

KSD 科斯达电子科技有限公司
SWITCH CONNECTOR 全球 互联零组件制造企业
KSD ELECTRONIC TECHNOLOGY Co., LTD

TOLERANCE UNLESS OTHERWISE STATED :
 Up to 5 ±0.2
 Above 5 ~ 15 ±0.3
 Above 15 ~ 30 ±0.4
 Above 30 ~ 50 ±0.5
 Angle ±0.3°

3RD. ANGEL'S

UNITS MM

DRAWN BY:	DATE	MAT'L	TITLE	JACK
Jack Lu	11/29/22			
CHECKED BY:	DATE	FINISH	MODLE	PHONE JACK
Jacky Chen	11/29/22			
APPROVED BY:	DATE	SCALE	DWG NO.	PJ-3565-S124
Tony Kao	11/29/22	1:1		
		SHEET NO.	PART NO.	PJ-3565-S124
		1 of 1		

SIZE	A4
VER	R6