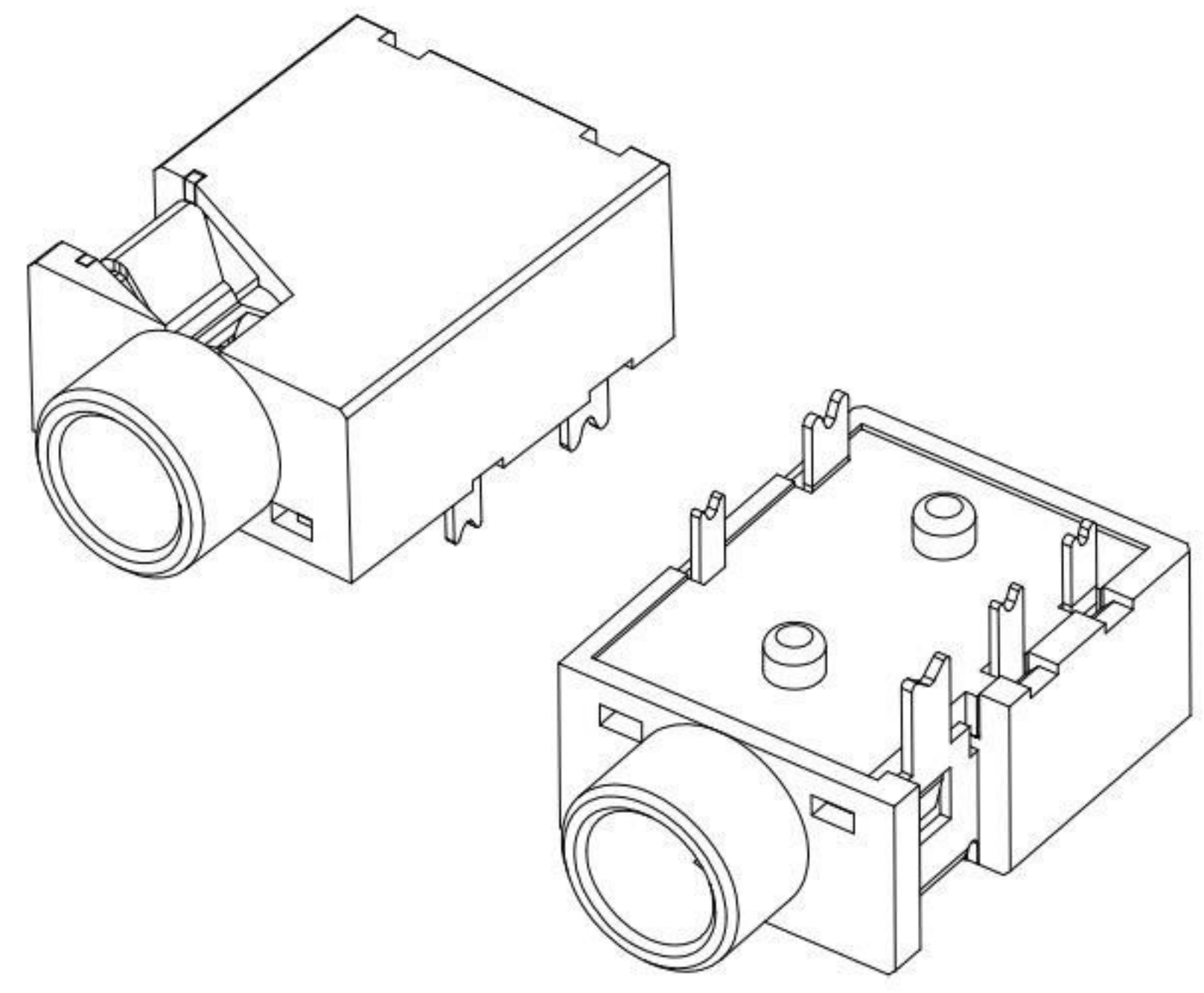
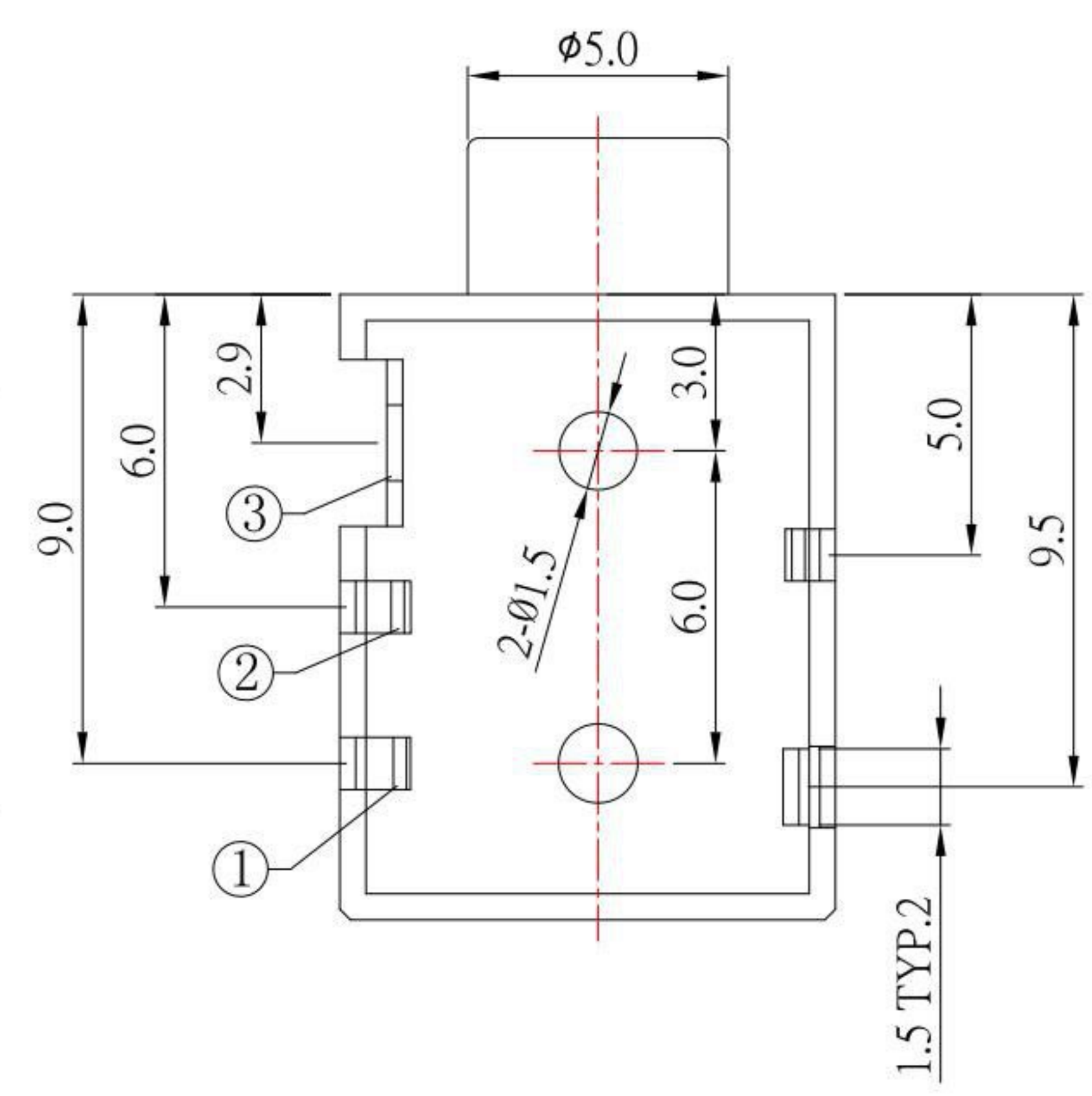
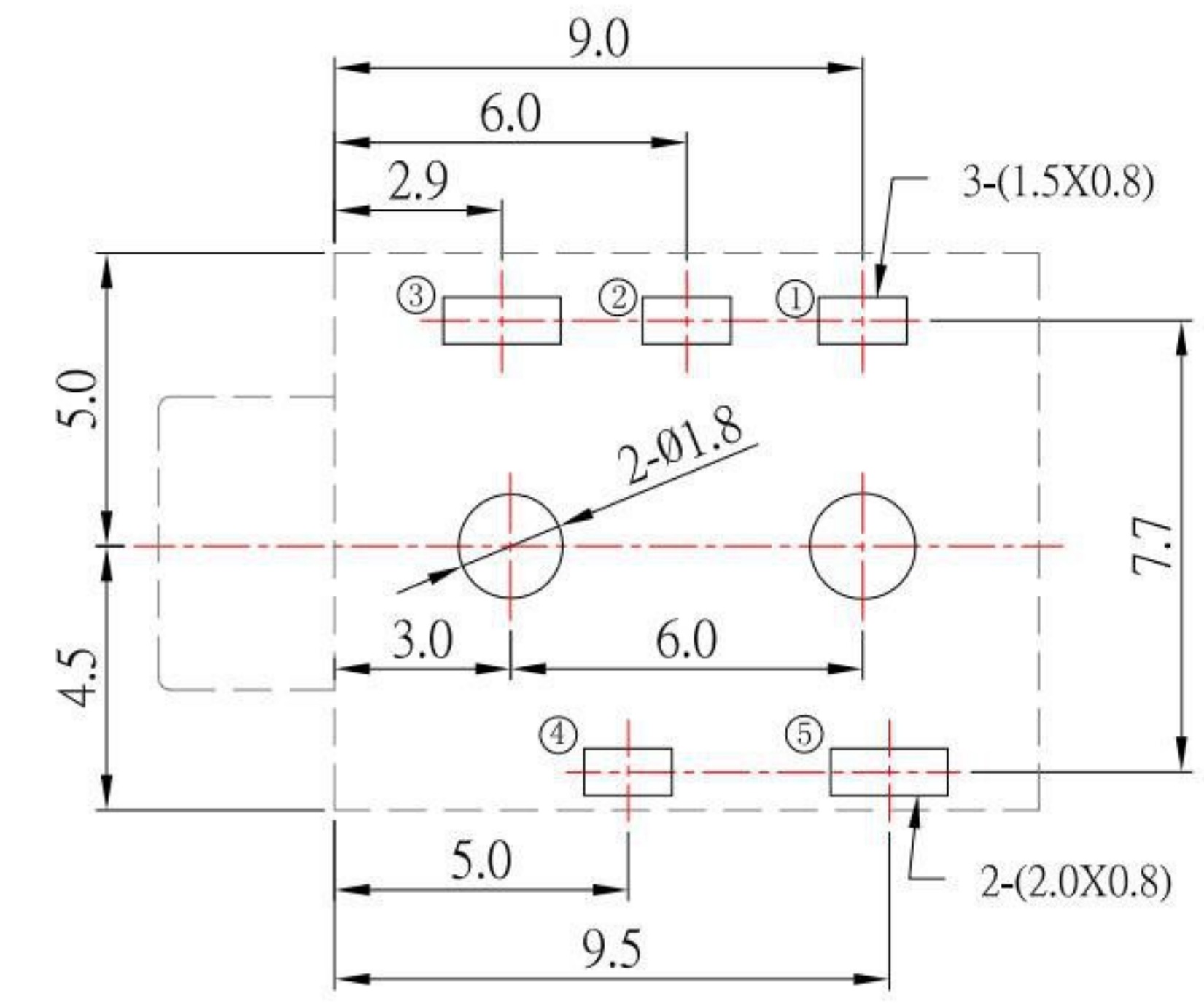


P.C.B LAYOUT  
TOP VIEW



SCHEMATIC

PJ-3675-S125	PJ-3674B-S125	PJ-3674A-S125	PJ-3673-S125	PJ-3673A-S125

SPECIFICATION

- 1.Rating : DC 30V 0.5A ;
- 2.Contact resistance :  $\leq 0.05 \Omega$  ;
- 3.Insulation resistance :  $\geq 100M \Omega$  (DC250V) ;
- 4.Withstand voltage : 500VAC ;
- 5.Insertion and extraction force : 3-20N;
- 6.life test : 5,000 cycles °

**KSD** 科斯达电子科技有限公司  
SWITCH CONNECTOR 全球 互联零组件制造企业  
KSD ELECTRONIC TECHNOLOGY Co., LTD

TOLERANCE UNLESS OTHERWISE STATED :	Up to 5 ±0.2 Above 5 ~ 15 ±0.3 Above 15 ~ 30 ±0.4 Above 30 ~ 50 ±0.5 Angle ±0.3	3RD. ANGEL'S	UNITS	MM
-------------------------------------	---	--------------	-------	----

DRAWN BY:	DATE	MAT'L	TITLE	JACK
Jack Lu	04/23/13			
CHECKED BY:	DATE	FINISH	MODLE	PHONE JACK
Jacky Chen	04/23/13			
APPROVED BY:	DATE	SCALE	DWG NO.	PJ-367x-S125
Tony Kao	04/23/13	1 : 1		
		SHEET NO.	PART NO.	PJ-367x-S125
		1 of 1		
				SIZE A4
				VER A0

ITEM NO.	DESCRIPTION	DRAWN	DATE