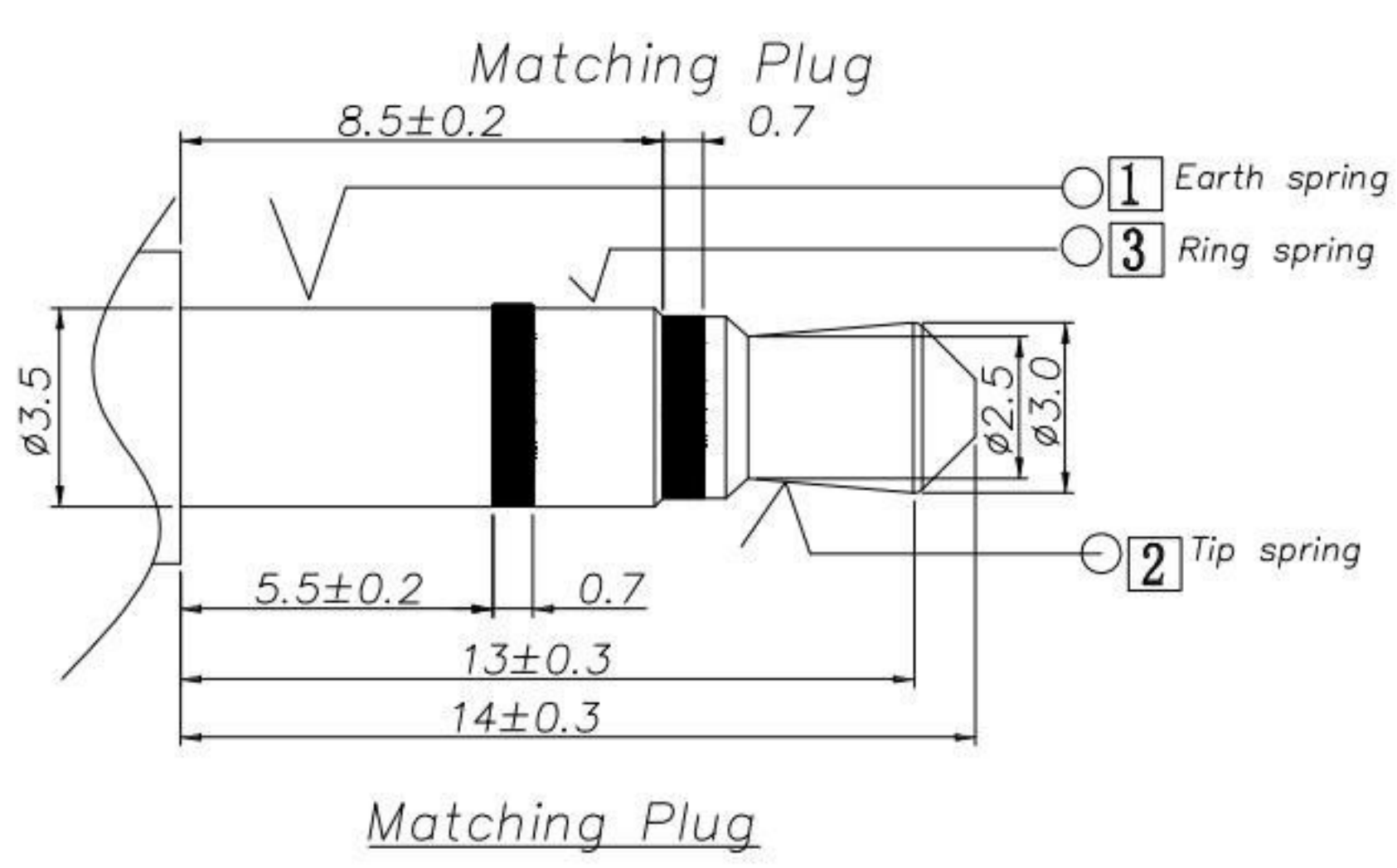
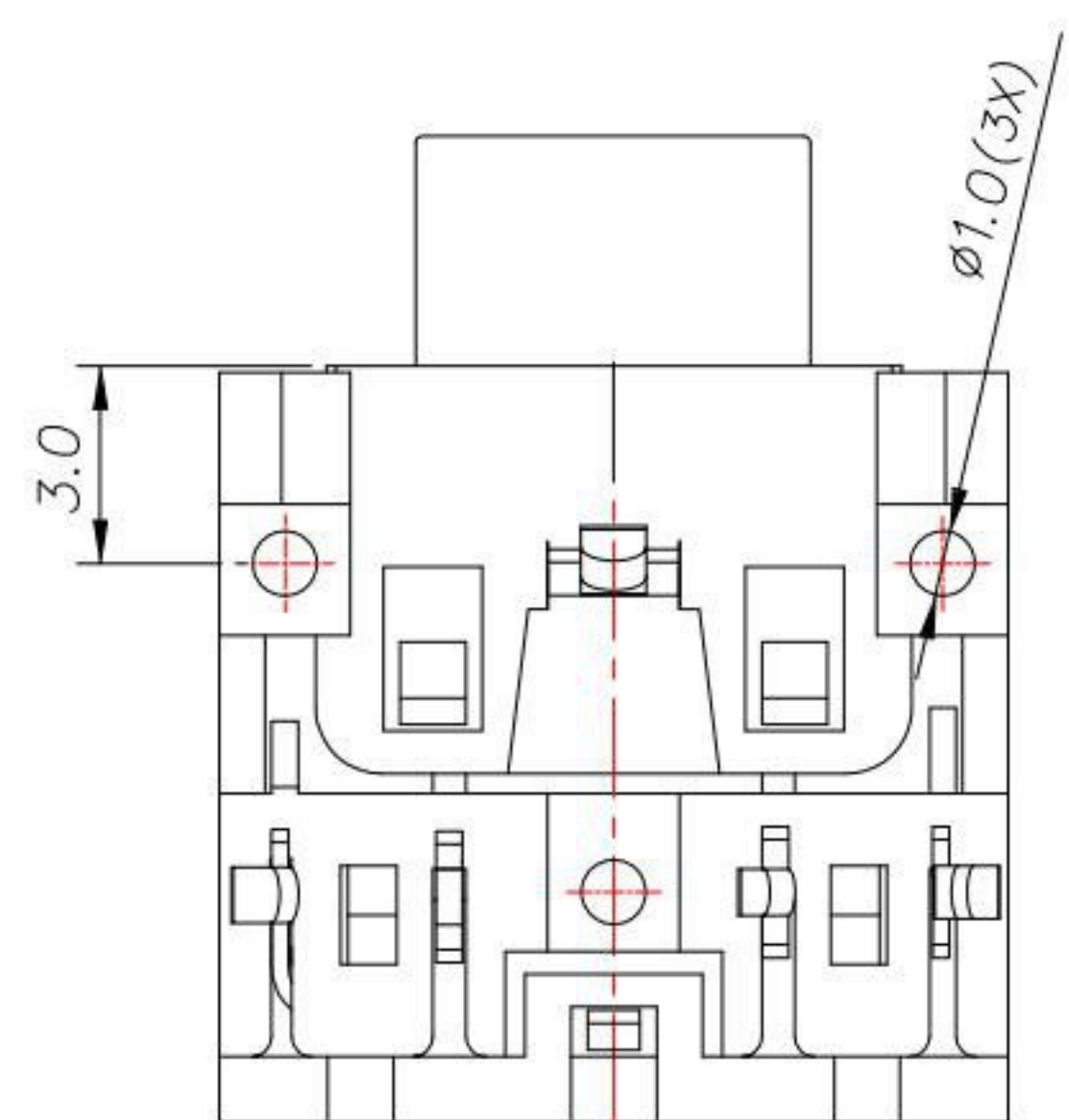


P.C.B LAYOUT



# PJ-368x-x-S141

## SPECIFICATION

COLOR :  
 Pink: PI  
 Green: GR

1. Rating : DC 30V 0.5A
2. Contact resistance :  $\leq 30m\Omega$
3. Insulation resistance :  $\geq 100M\Omega$
4. Withstand voltage : 500VAC
5. Insertion and extraction force : 3-30N
6. life test : 5,000 cycles

Model No.	PJ-3685	PJ-3684A	PJ-3683A	PJ-3683	PJ-3682
Schematic					

□: TERMINAL NO.

NO.	DESCRIPTION	QTY	MATERIAL	PLATING
10	spring	1	SPRING WIRE	Ni-Plating
9	Bushing	1	PBT	
8	Bushing	1	COPPER ALLOY	Ni-Plating
7	Tip spring	5	PHOSPHOR BRONZE	Tin/Ag-Plating
6	Shurt terminal	4	BRASS	Tin/Ag-Plating
5	Shurt terminal	3	BRASS	Tin/Ag-Plating
4	Ring spring	2	PHOSPHOR BRONZE	Tin/Ag-Plating
3	Earth spring	1	BRASS	Tin/Ag-Plating
2	Cover	1	PBT	Black
1	Housing	1	PA66	Black

**KSD** 科斯达电子科技有限公司  
 SWITCH CONNECTOR KSD ELECTRONIC TECHNOLOGY Co., LTD  
 全球 互联网 零组件 制造企业

TOLERANCE UNLESS OTHERWISE STATED:  
 Up to 5 ±0.2  
 Above 5 ~ 15 ±0.3  
 Above 15 ~ 30 ±0.4  
 Above 30 ~ 50 ±0.5  
 Angle ±0.3°

3RD. ANGEL'S

UNITS MM

DRAWN BY:	DATE	MAT'L	TITLE	JACK
Jack Lu	10/15/18		MODLE	PHONE JACK
CHECKED BY:	DATE	FINISH	DWG NO.	PJ-368x-x-S141
Jacky Chen	10/15/18		PART NO.	PJ-368x-x-S141
APPROVED BY:	DATE	SCALE	SHEET NO.	1 of 1
Tony Kao	10/15/18	1:1		

ITEM NO.	DESCRIPTION	DRAWN	DATE
1	新增颜色选项	Jack	101518