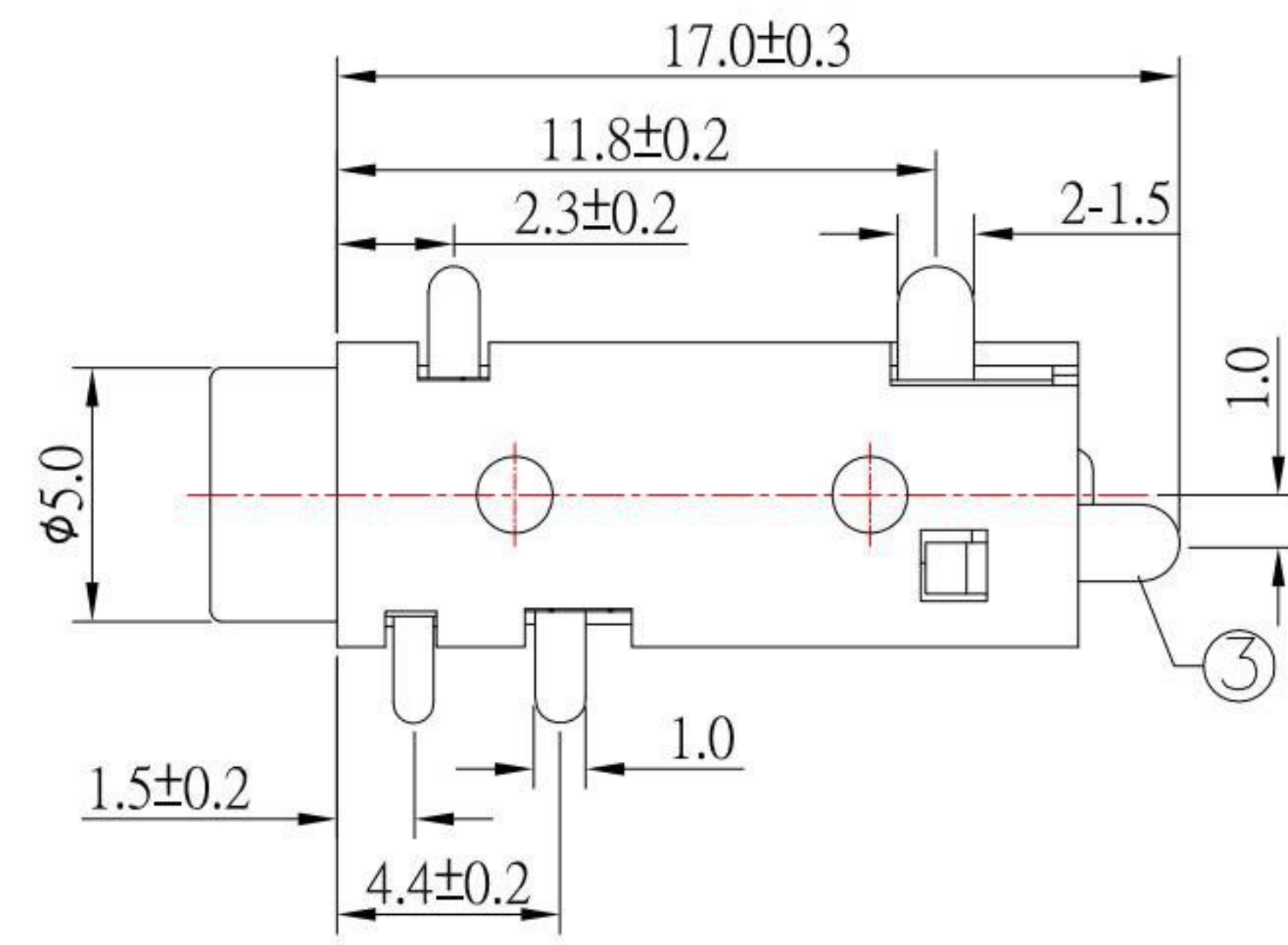
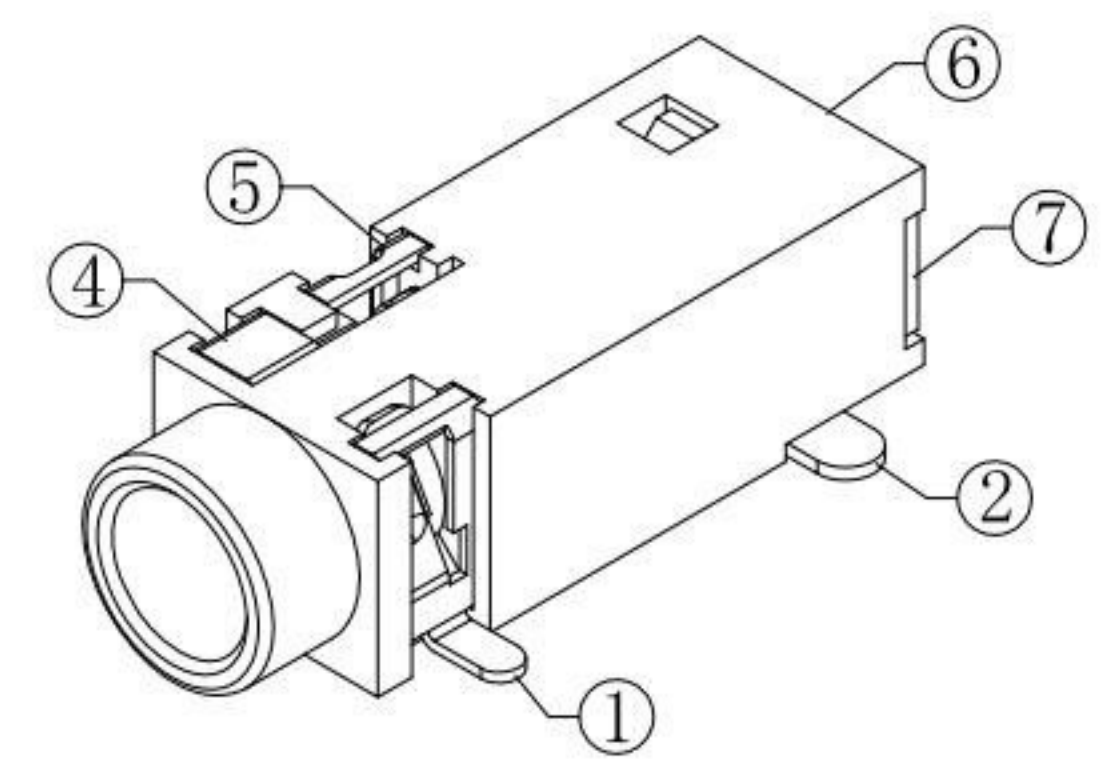


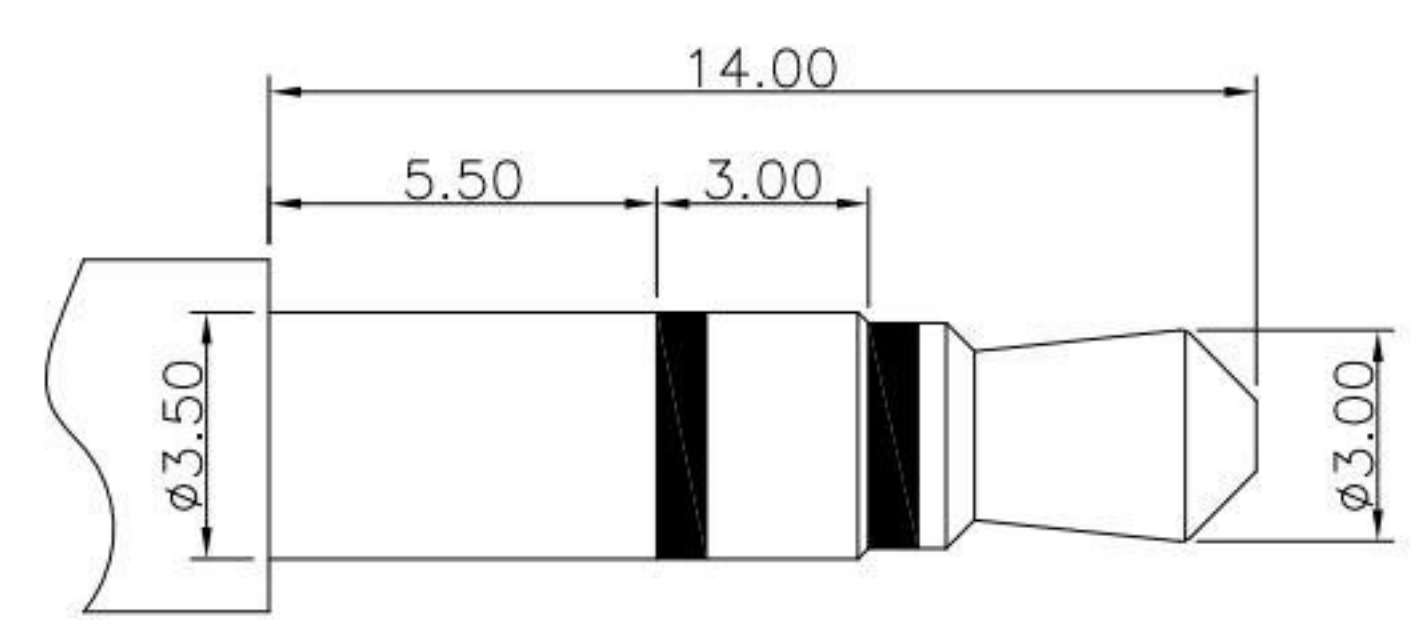
P.C.B LAYOUT  
TOP VIEW



SCHEMATIC

SPECIFICATIONS:

1. Rating : DC 30V , 1.0A ;
2. Contact Resistance : ≤30mΩ Max;
3. Insulation Resistance : ≥100MΩ Min ;
4. Withstand voltage : 500VAC
5. Insertion and extraction force : 3-20N
6. Life test : 5,000 cycles



Ø3.50mm 3 POLE PLUG

PJ-3695	PJ-3694B	PJ-3694A	PJ-3693

NO.	DESCRIPTION	Q'TY	MATERIAL	PLATING
7	COVING	1	PA9T	
6	HOUSING	1	PA9T	
5	#5 CONTACT FOOT	1	SUS	Ag-Plating
4	#4 CONTACT FOOT	1	PHOSPHOR BRONZE	Ag-Plating
3	#3 CONTACT FOOT	1	BRASS	Ag-Plating
2	#2 CONTACT FOOT	1	PHOSPHOR BRONZE	Ag-Plating
1	#1 CONTACT FOOT	1	SUS	Ag-Plating

ITEM NO.	DESCRIPTION	DRAWN	DATE
4	更新樣式	Jack	081821
3	更新尺寸	Jack	100119
2	更新圖面	Jack	032719
1	更新為A0版	Jack	032317

**KSD** 科斯达电子科技有限公司  
 SWITCH CONNECTOR KSD ELECTRONIC TECHNOLOGY Co., LTD  
 全球 互聯零組件 制造企业

TOLERANCE UNLESS OTHERWISE STATED:  
 Up to 5 ±0.2  
 Above 5 ~ 15 ±0.3  
 Above 15 ~ 30 ±0.4  
 Above 30 ~ 50 ±0.5  
 Angle ±0.3°

3RD. ANGEL'S

UNITS MM

DRAWN BY:	DATE	MAT'L	TITLE	JACK
Jack Lu	08/18/21		MODLE	3.5mm PHONE JACK
CHECKED BY:	DATE	FINISH	DWG NO.	SCALE
Jacky Chen	08/18/21		PJ-369x-S124	1 : 1
APPROVED BY:	DATE	SHEET NO.	PART NO.	SIZE
Tony Kao	08/18/21	1 of 1	PJ-369x-S124	A4
				VER R4