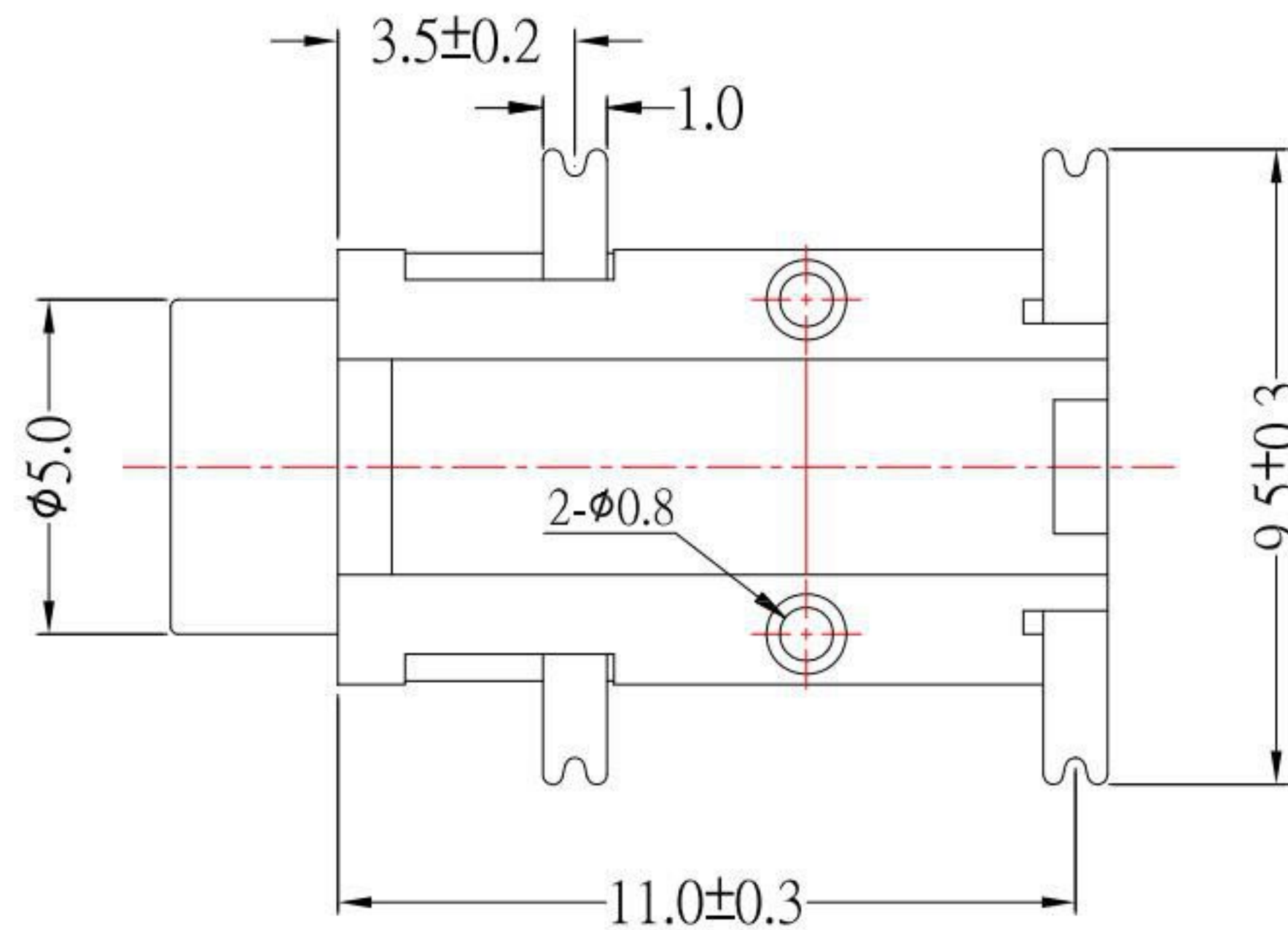
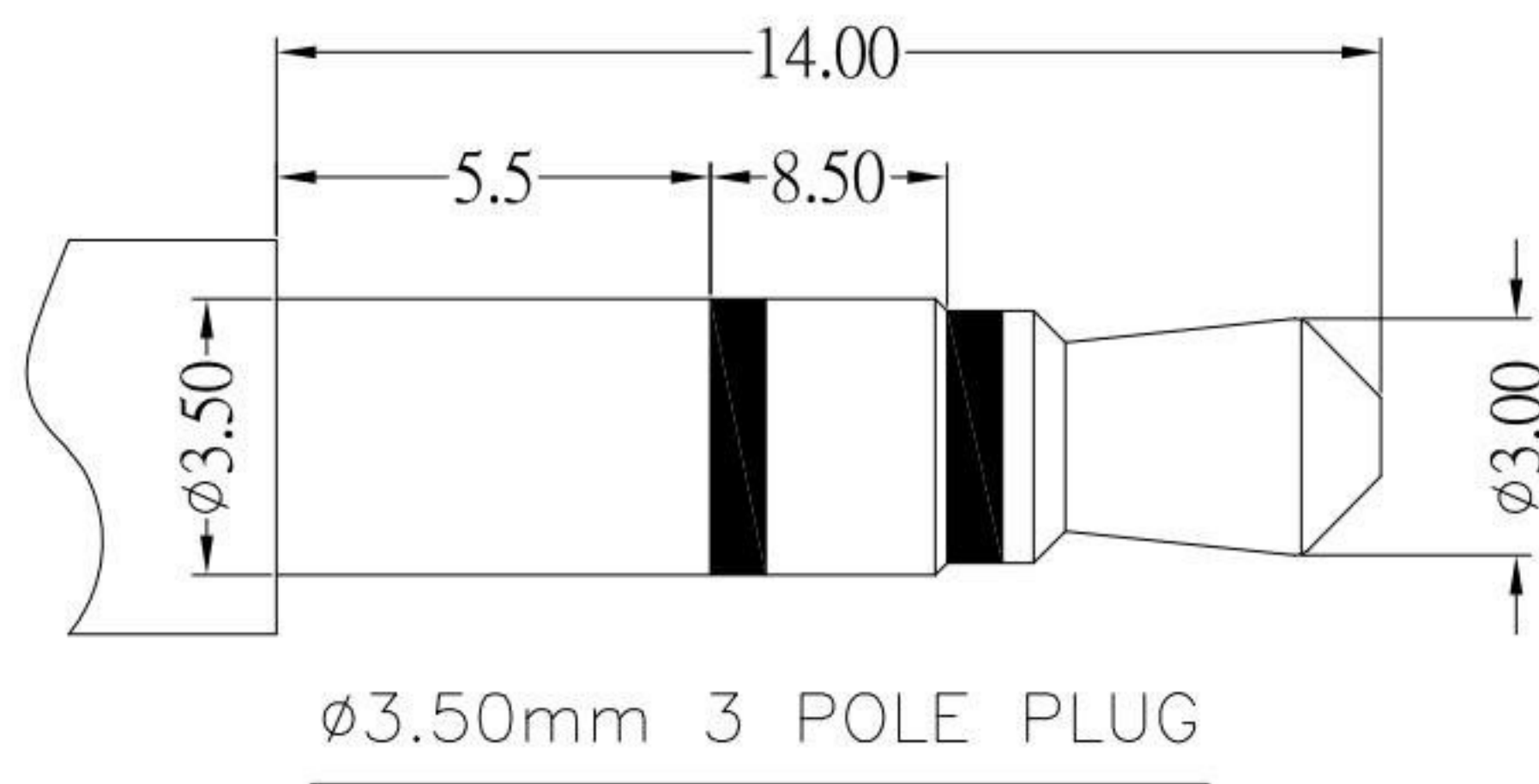
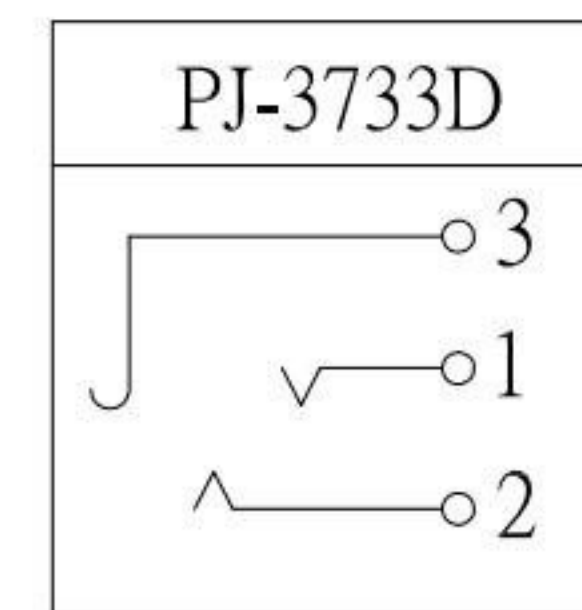


P.C.B LAYOUT
(TOP VIEW)

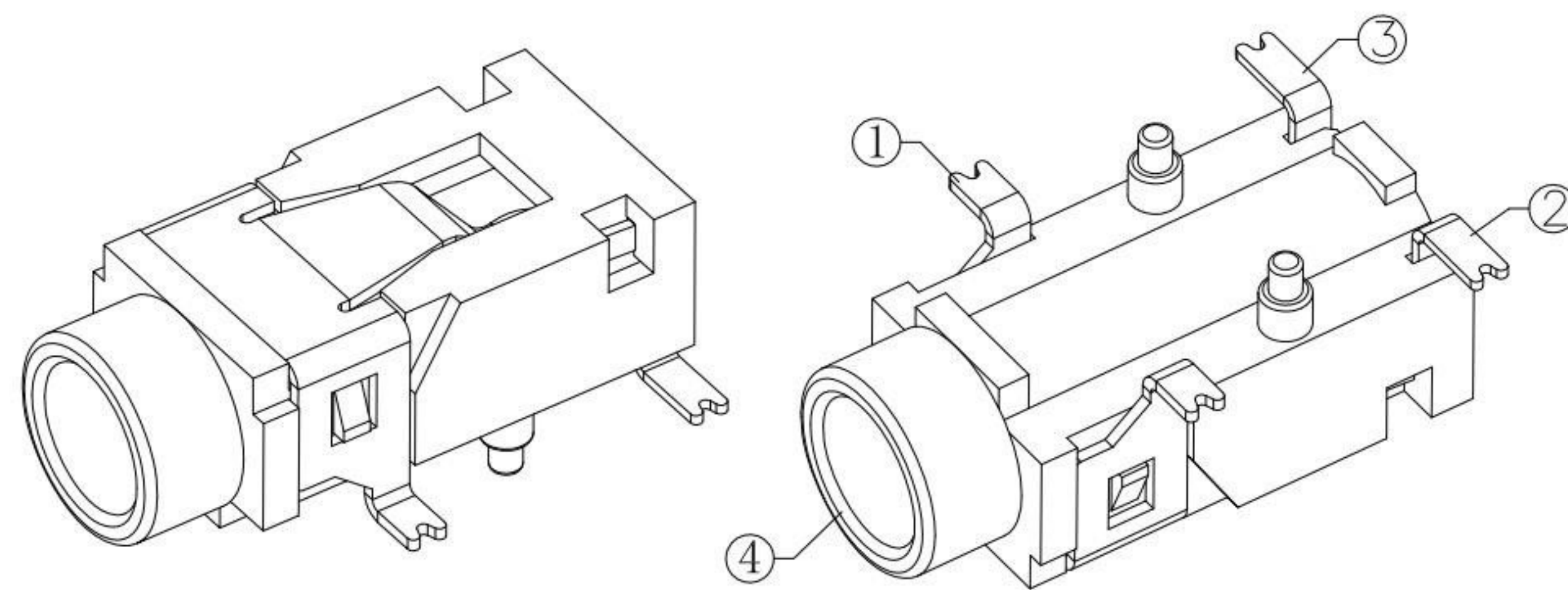


SCHEMATIC



SPECIFICATION

- 1.Rating : DC 30V 0.5A ;
- 2.Contact resistance : $\leq 30m\Omega$;
- 3.Insulation resistance : $\geq 100M\Omega$;
- 4.Withstand voltage : 500VAC ;
- 5.Insertion and extraction force : 3-20N;
- 6.life test : 5,000 cycles °



NO.	DESCRIPTION	QTY	MATERIAL	PLATING
④	HOUSING	1	PA9T	
③	CONTACT FOOT #3	1	PHOSPHOR BRONZE	Ag-Plating
②	CONTACT FOOT #2	1	PHOSPHOR BRONZE	Ag-Plating
①	CONTACT FOOT #1	1	BRASS	Ag-Plating

KSD 科斯达电子科技有限公司
SWITCH CONNECTOR KSD ELECTRONIC TECHNOLOGY Co., LTD
全球 互联零组件制造企业

TOLERANCE UNLESS OTHERWISE STATED :
Up to 5 ±0.2
Above 5 ~ 15 ±0.3
Above 15 ~ 30 ±0.4
Above 30 ~ 50 ±0.5
Angle ±0.3°

3RD. ANGEL'S

UNITS MM

DRAWN BY:	DATE	MAT'L	TITLE	JACK
Jack Lu	06/20/17			
CHECKED BY:	DATE	FINISH	MODLE	PHONE JACK
Jacky Chen	06/20/17			
APPROVED BY:	DATE	SCALE	DWG NO.	PJ-3733D-S124
Tony Kao	06/20/17	1 : 1		
SHEET NO.	1 of 1	PART NO.	PJ-3733D-S124	

ITEM NO.	DESCRIPTION	DRAWN	DATE

SIZE A4
VER R