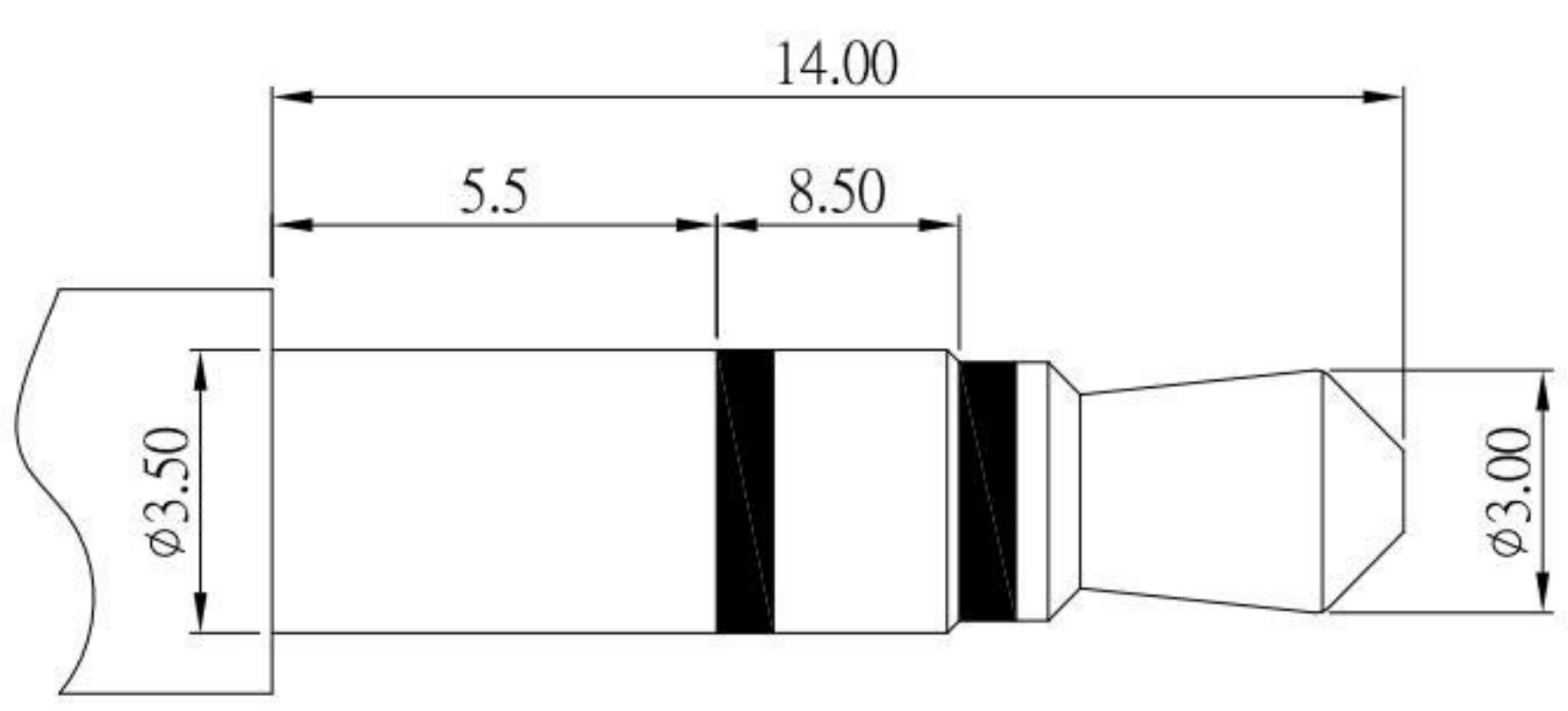
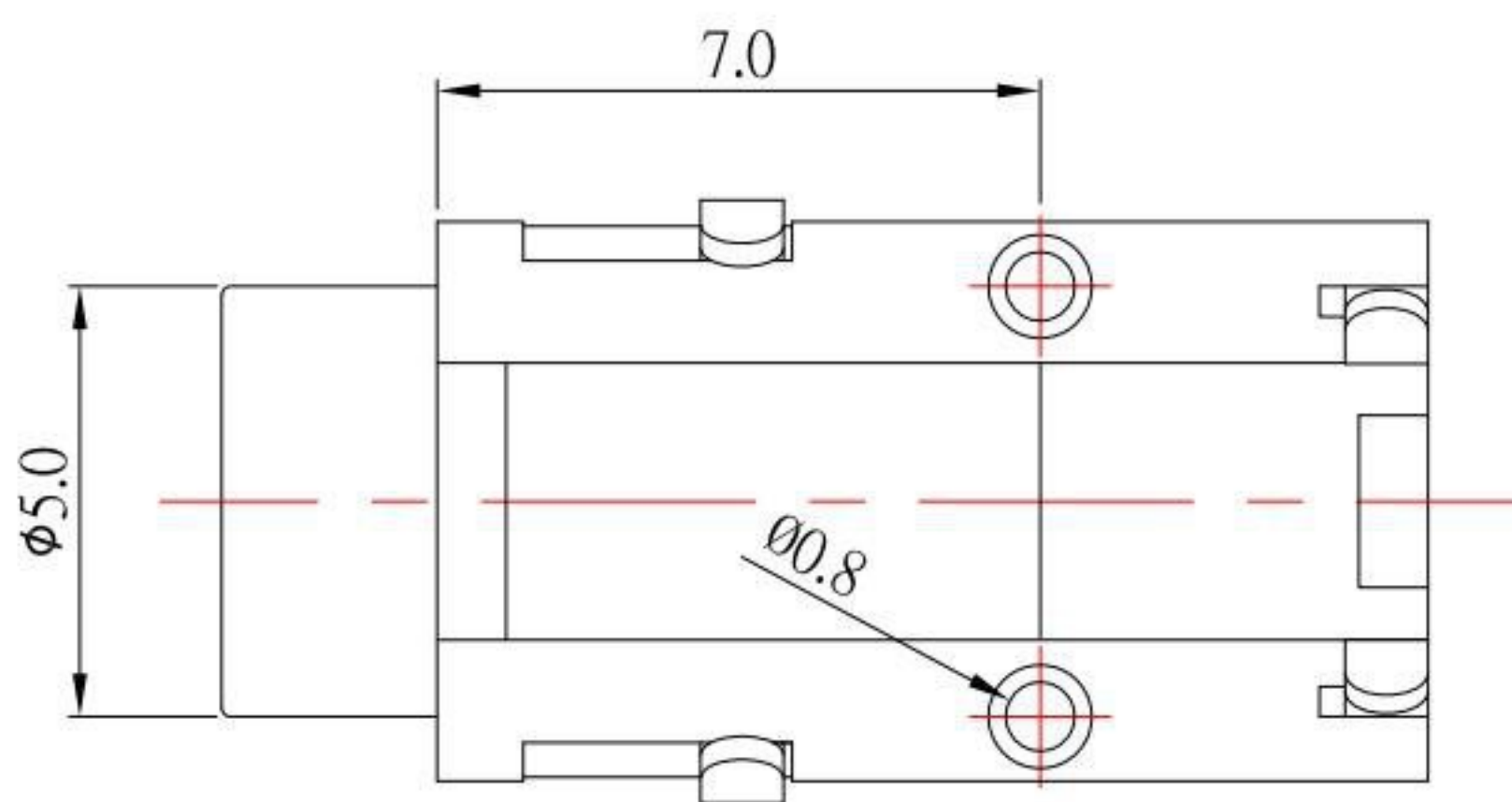


P.C.B LAYOUT MOUNTING PATTERN (TOP VIEW)



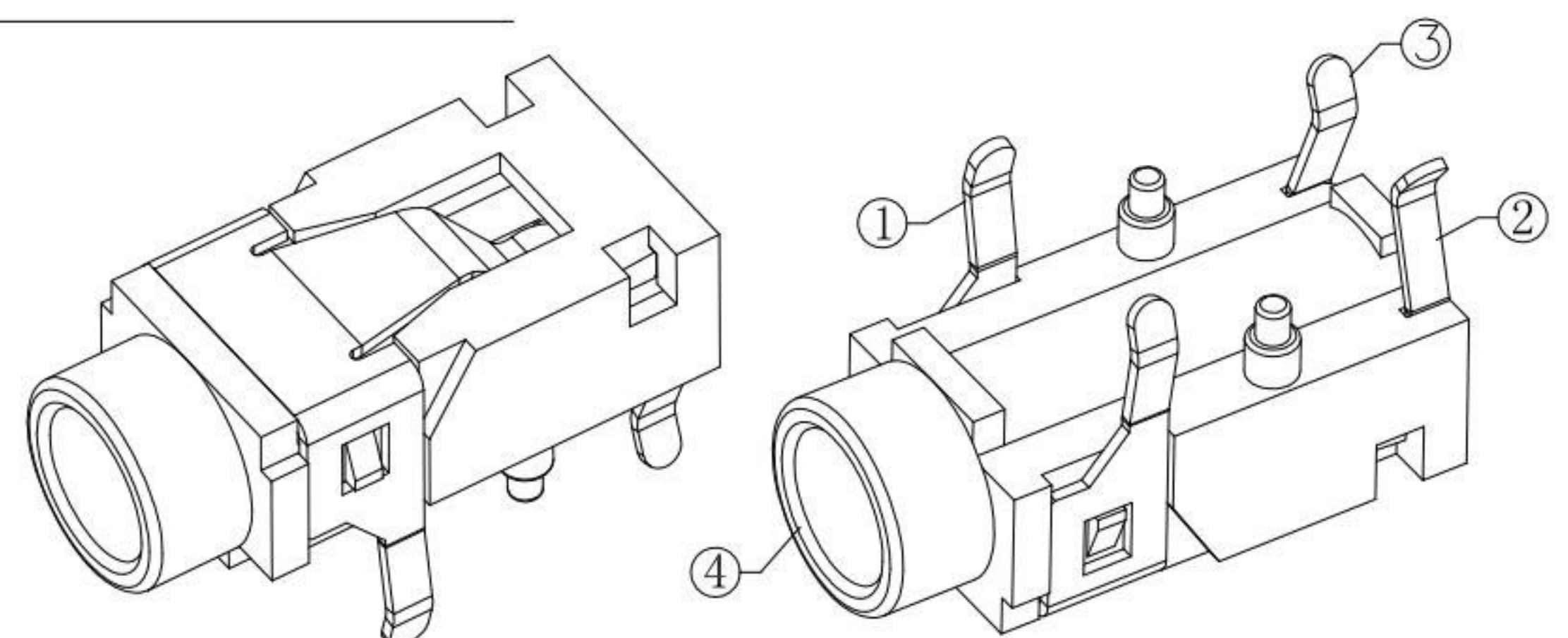
Ø3.50mm 3 POLE PLUG



MODEL NO.	PJ-3733
SCHEMATIC	

SPECIFICATION

- 1.Rating : DC 30V 0.5A ;
- 2.Contact resistance : $\leq 30m\Omega$;
- 3.Insulation resistance : $\geq 100M\Omega$;
- 4.Withstand voltage : 500VAC ;
- 5.Insertion and extraction force : 3-20N
- 6.life test : 5,000 cycles °



NO.	DESCRIPTION	Q'TY	MATERIAL	PLATING
④	HOUSING	1	PBT	
③	SPRING	1	Phosphor Bronze	Sn-Plating
②	SPRING	1	Phosphor Bronze	Sn-Plating
①	CONTACT FOOT	1	Brass	Sn-Plating

KSD 科斯达电子科技有限公司
 SWITCH CONNECTOR KSD ELECTRONIC TECHNOLOGY Co., LTD
 全球 互联零组件制造企业

TOLERANCE UNLESS OTHERWISE STATED :
 Up to 5 ±0.2
 Above 5 ~ 15 ±0.3
 Above 15 ~ 30 ±0.4
 Above 30 ~ 50 ±0.5
 Angle ±0.3°

3RD. ANGEL'S

UNITS MM

DRAWN BY:	DATE	MAT'L	TITLE	JACK
Jack Lu	06/20/17		MODLE	PHONE JACK
CHECKED BY:	DATE	FINISH	DWG NO.	PJ-3733-S124
Jacky Chen	06/20/17		PART NO.	PJ-3733-S124
APPROVED BY:	DATE	SCALE	SHEET NO.	1 of 1
Tony Kao	06/20/17	1 : 1		

ITEM NO.	DESCRIPTION	DRAWN	DATE

SIZE A4
 VER R