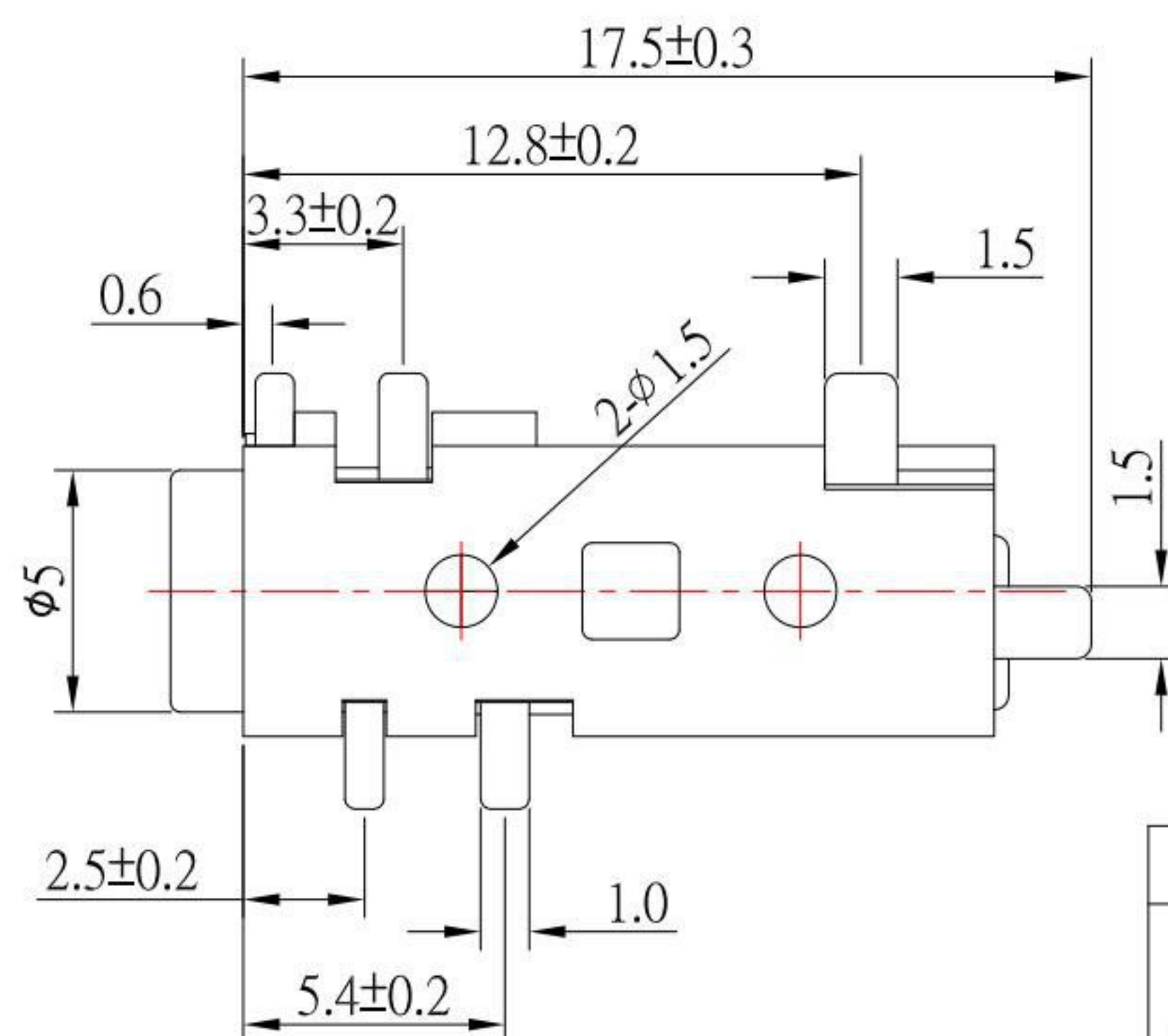
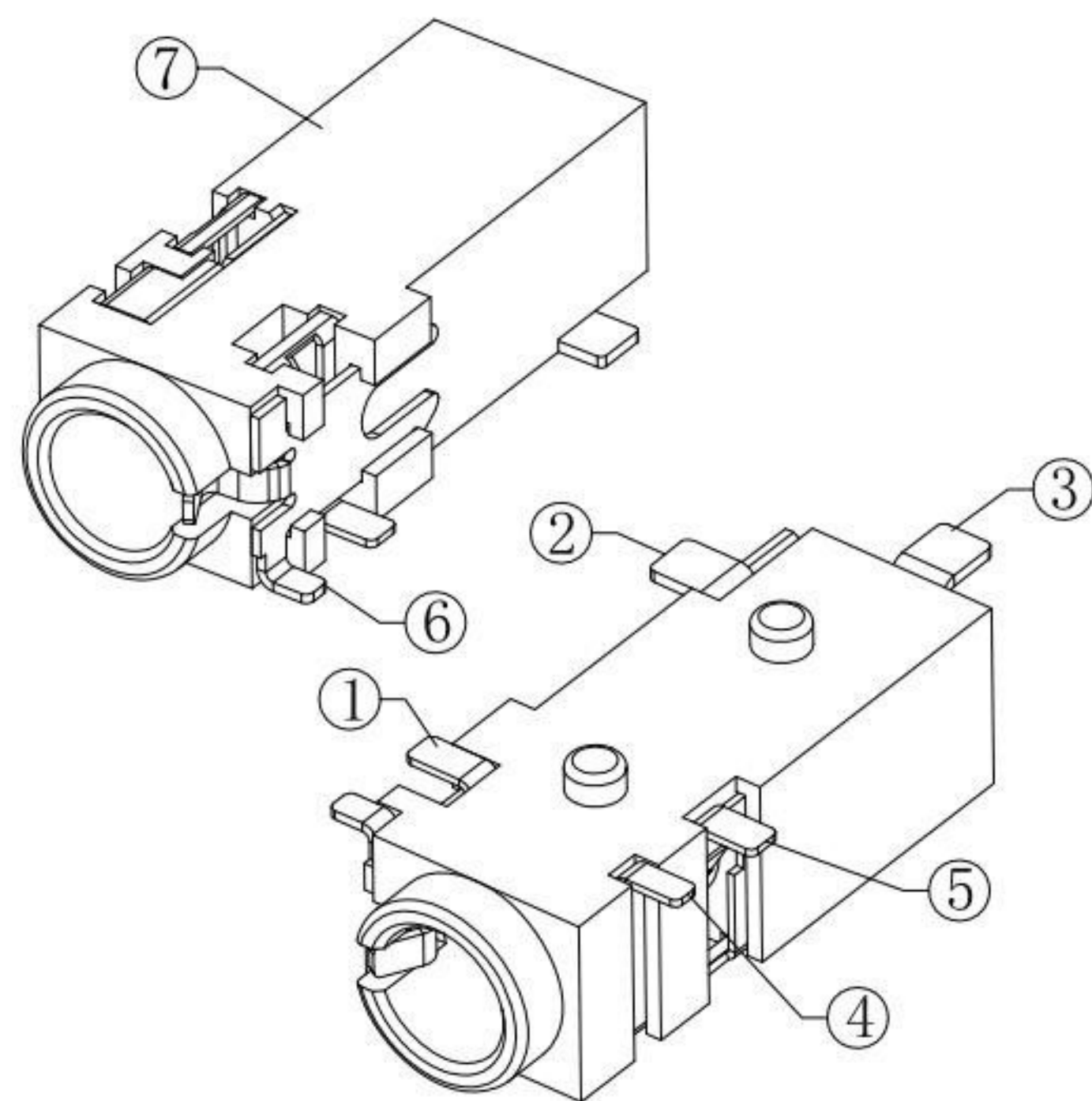


P.C.B LAYOUT
(TOP VIEW)

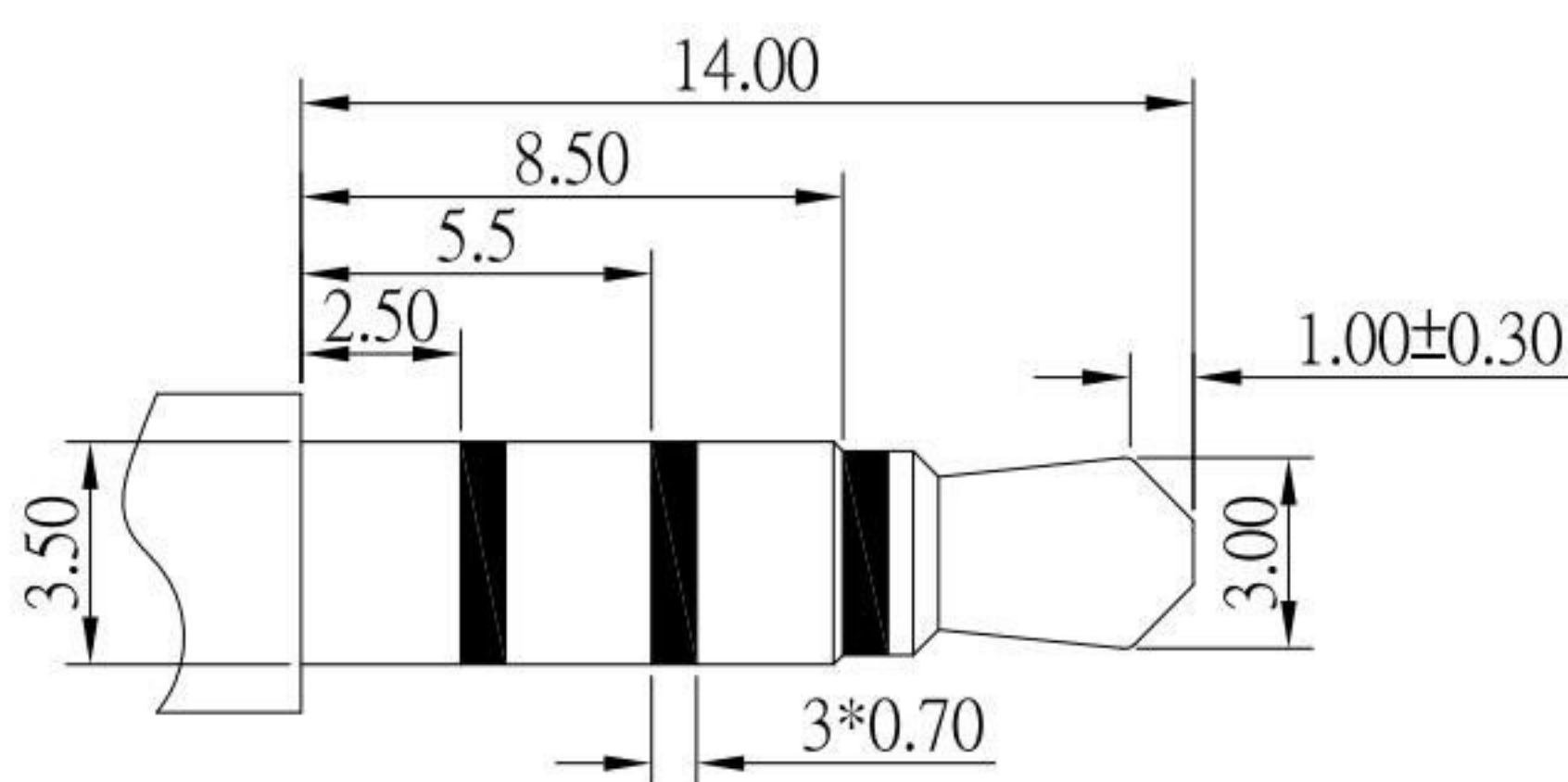
SCHEMATIC

PJ-3756	PJ-3755	PJ-3755A	PJ-3754	PJ-3755B	PJ-3753



SPECIFICATION

1. Rating : DC 30V 1.0A ;
2. Contact resistance : $\leq 30m\Omega$;
3. Insulation resistance : $\geq 100M\Omega$;
4. Withstand voltage : 500VAC ;
5. Insertion and extraction force : 3-20N;
6. life test : 5,000 cycles .



$\phi 3.50\text{mm}$ 4 POLE PLUG

NO.	DESCRIPTION	QTY	MATERIAL	PLATING
7	HOUSING	1	PA9T	
6	6# CONTACT FOOT	1	PHOSPHOR BRONZE	Ag-Plating
5	5# CONTACT FOOT	1	Be-Cu	Ag-Plating
4	4# CONTACT FOOT	1	PHOSPHOR BRONZE	Ag-Plating
3	3# CONTACT FOOT	1	BRASS	Ag-Plating
2	2# CONTACT FOOT	1	PHOSPHOR BRONZE	Ag-Plating
1	1# CONTACT FOOT	1	Be-Cu	Ag-Plating

KSD 科斯达电子科技有限公司
SWITCH CONNECTOR 全球 互联零组件制造企业
KSD ELECTRONIC TECHNOLOGY Co., LTD

TOLERANCE UNLESS OTHERWISE STATED:
Up to 5 ±0.2
Above 5 ~ 15 ±0.3
Above 15 ~ 30 ±0.4
Above 30 ~ 50 ±0.5
Angle ±0.3

3RD. ANGEL'S

UNITS MM

DRAWN BY:	DATE	MAT'L	TITLE	JACK
Jack Lu	05/07/19			
CHECKED BY:	DATE	FINISH	MODLE	PHONE JACK
Jacky Chen	05/07/19			
APPROVED BY:	DATE	SCALE	DWG NO.	PJ-375x-S124
Tony Kao	05/07/19	1:1		
		SHEET NO.	PART NO.	PJ-375x-S124
		1 of 1		

ITEM NO.	DESCRIPTION	DRAWN	DATE
2	更新尺寸	Jack	050719
1	更新为A0版	Jack	030217

SIZE
A4
VER
R2