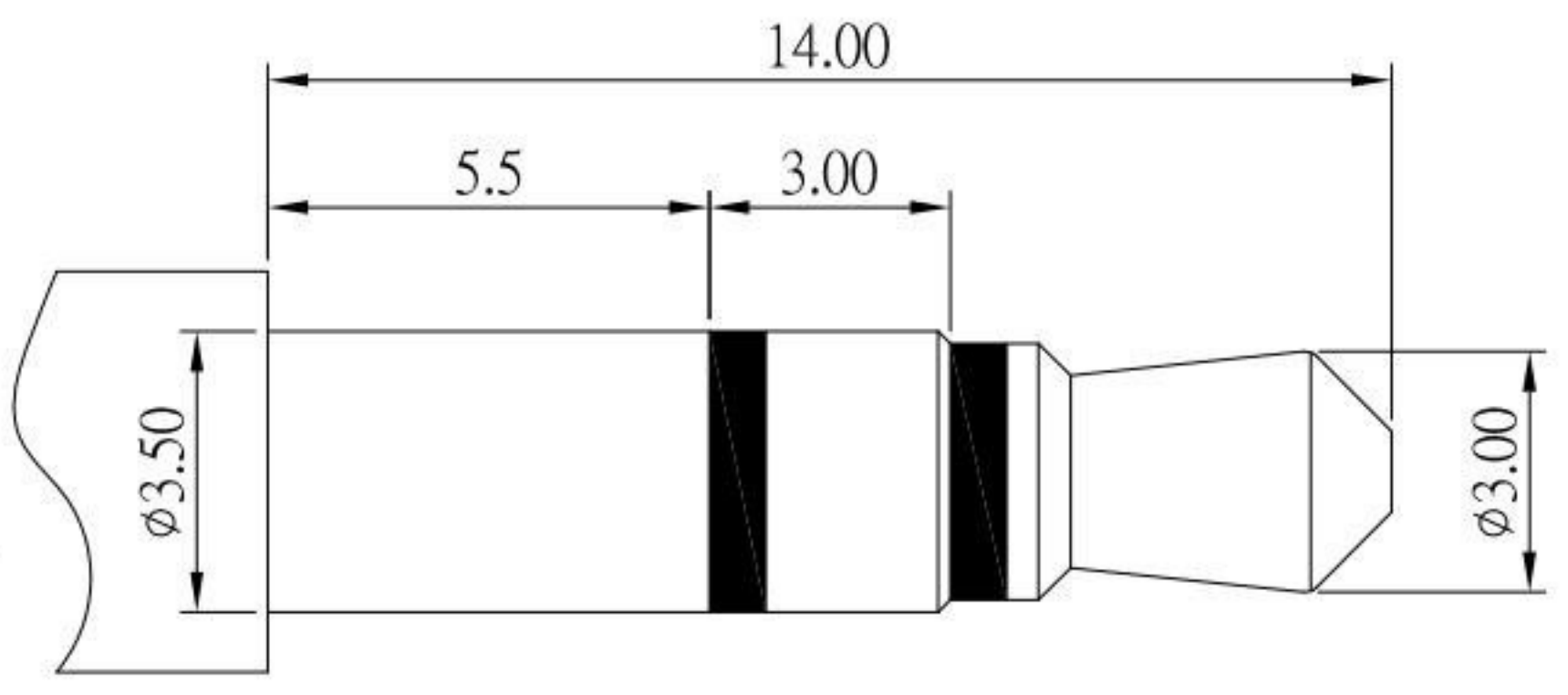
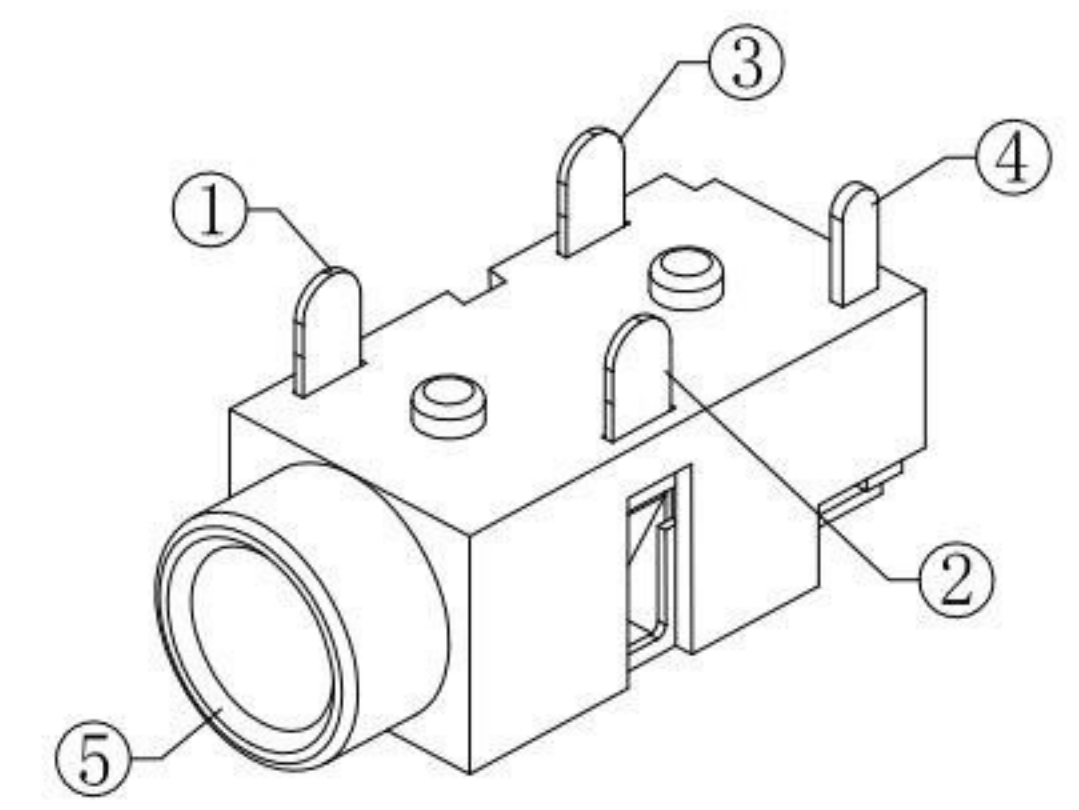
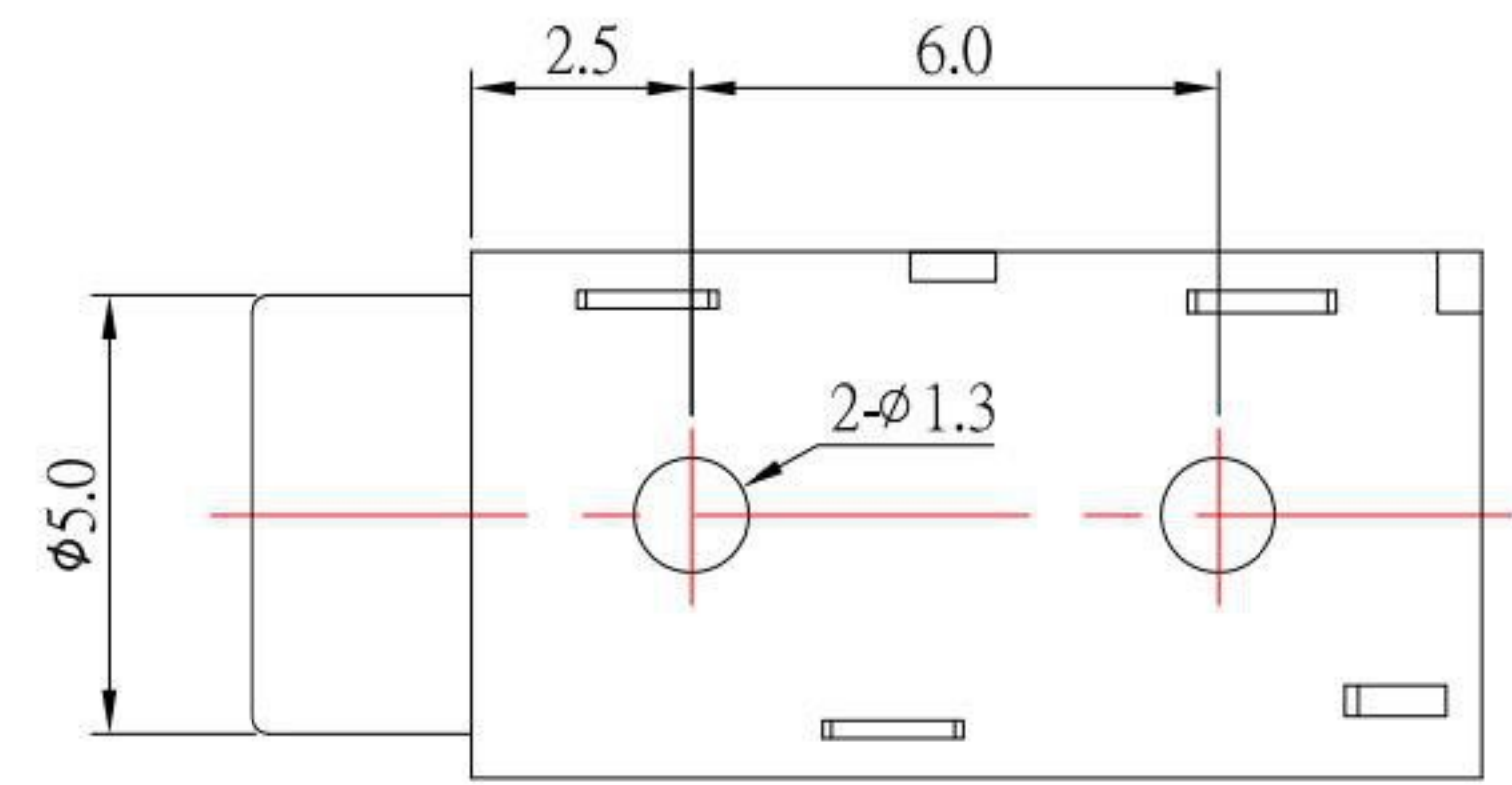


P.C.B LAYOUT
TOP VIEW



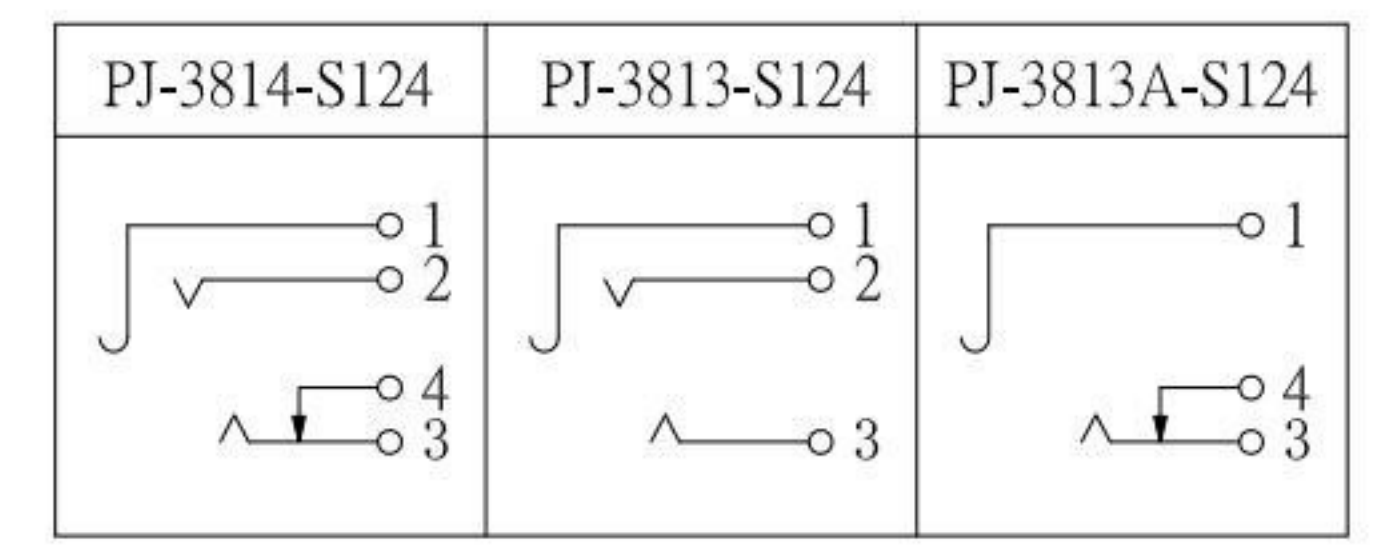
φ3.50mm 3 POLE PLUG



SPECIFICATION

1. Rating : DC 30V 0.5A ;
2. Contact resistance : ≤ 30mΩ ;
3. Insulation resistance : ≥ 100MΩ ;
4. Withstand voltage : 500VAC ;
5. Insertion and extraction force : 3-20N
6. life test : 5,000 cycles ◦

SCHEMATIC



NO.	DESCRIPTION	QTY	MATERIAL	PLATING
⑤	HOUSING	1	PA9T	
④	CURVE PIECE	1	BRASS	Ag-Plating
③	SPRING PIECE	1	PHOSPHOR BRONZE	Ag-Plating
②	CONTACT FOOT	1	PHOSPHOR BRONZE	Ag-Plating
①	CONTACT FOOT	1	PHOSPHOR BRONZE	Ag-Plating

ITEM NO.	DESCRIPTION	DRAWN	DATE
4	更新尺寸及新增尺寸	Jack	071520
3	更新樣式	Jack	032619
2	更新尺寸及材質	Jack	072717
1	更新尺寸及更新為A0版	Jack	042817

KSD 科斯达电子科技有限公司
SWITCH CONNECTOR KSD ELECTRONIC TECHNOLOGY Co., LTD
全球 互聯零組件製造企業

TOLERANCE UNLESS OTHERWISE STATED:
 Up to 5 ±0.2
 Above 5 ~ 15 ±0.3
 Above 15 ~ 30 ±0.4
 Above 30 ~ 50 ±0.5
 Angle ±0.3

3RD. ANGEL'S

UNITS MM

DRAWN BY:	DATE	MAT'L	TITLE	JACK
Jack Lu	07/15/20			
CHECKED BY:	DATE	FINISH	MODLE	PHONE JACK
Jacky Chen	07/15/20			
APPROVED BY:	DATE	SCALE	DWG NO.	PJ-381x-S124
Tony Kao	07/15/20	1:1		
SHEET NO.		1 of 1	PART NO.	PJ-381x-S124
				SIZE A4
				VER R4