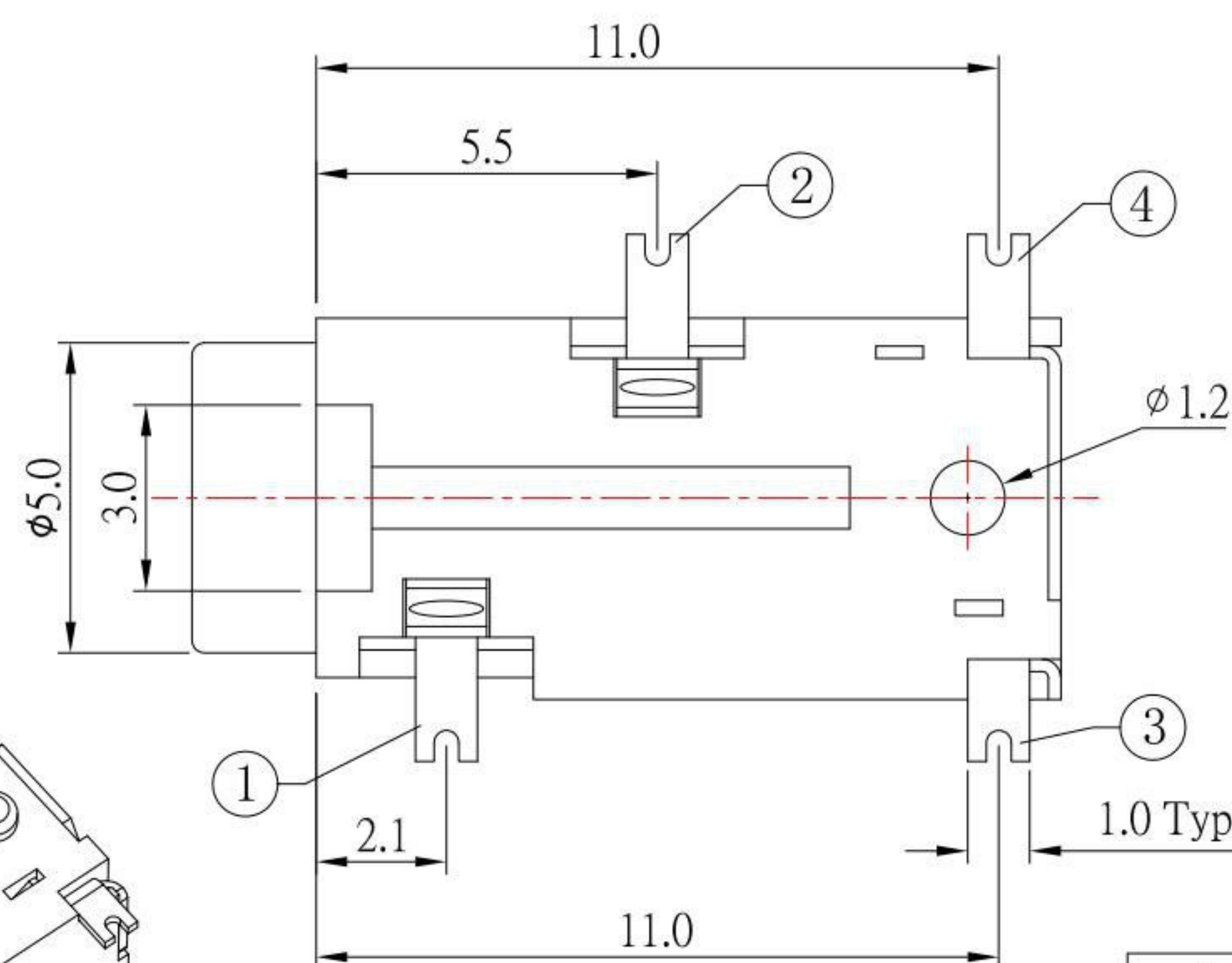
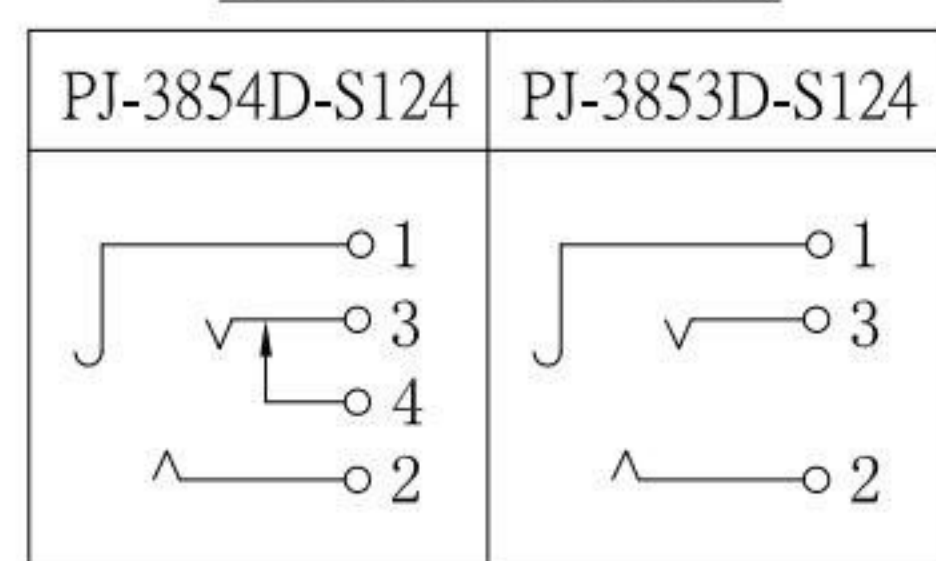


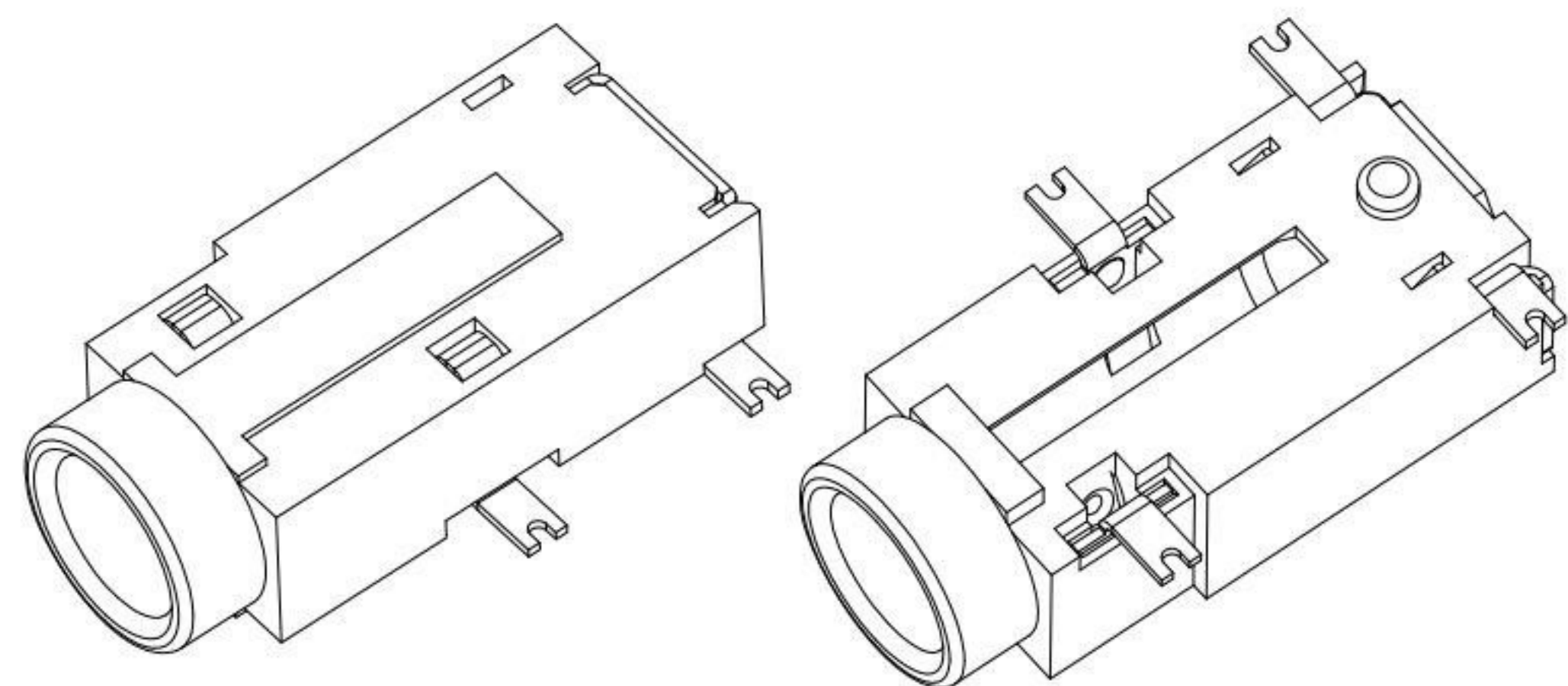
P.C.B LAYOUT
TOP VIEW

SCHEMATIC



SPECIFICATION

1. Rating : DC 30V , 0.5A
2. Contact resistance : $\leq 30m\Omega$
3. Insulation resistance : $\geq 100M\Omega$
4. Withstand voltage : 500VAC
5. Insertion and extraction force : 3-20N
6. life test : 5,000 cycles

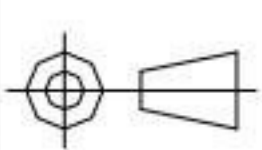


NO.	DESCRIPTION	QTY	MATERIAL	PLATING
5	HOUSING	1	PA9T	
4	CONTACT FOOT	1	BRASS	Ag-Plating
3	CONTACT FOOT	1	SUS	Ag-Plating
2	CONTACT FOOT	1	PHOSPHOR BRONZE	Ag-Plating
1	SPRING PIECE	1	PHOSPHOR BRONZE	Ag-Plating

KSD 科斯达电子科技有限公司
SWITCH CONNECTOR KSD ELECTRONIC TECHNOLOGY Co., LTD
全球 互联零组件制造企业

TOLERANCE UNLESS OTHERWISE STATED:
Up to 5 ±0.2
Above 5 ~ 15 ±0.3
Above 15 ~ 30 ±0.4
Above 30 ~ 50 ±0.5
Angle ±0.3°

3RD. ANGEL'S



UNITS MM

DRAWN BY: Jack Lu DATE: 01/18/19
CHECKED BY: Jacky Chen DATE: 01/18/19
APPROVED BY: Tony Kao DATE: 01/18/19

MAT'L	TITLE	JACK
FINISH	MODLE	PHONE JACK
SCALE 1:1	DWG NO.	PJ-385xD-S124
SHEET NO. 1 of 1	PART NO.	PJ-385xD-S124

ITEM NO.	DESCRIPTION	DRAWN	DATE
1	更新材質	Jack	011819

SIZE A4
VER R1