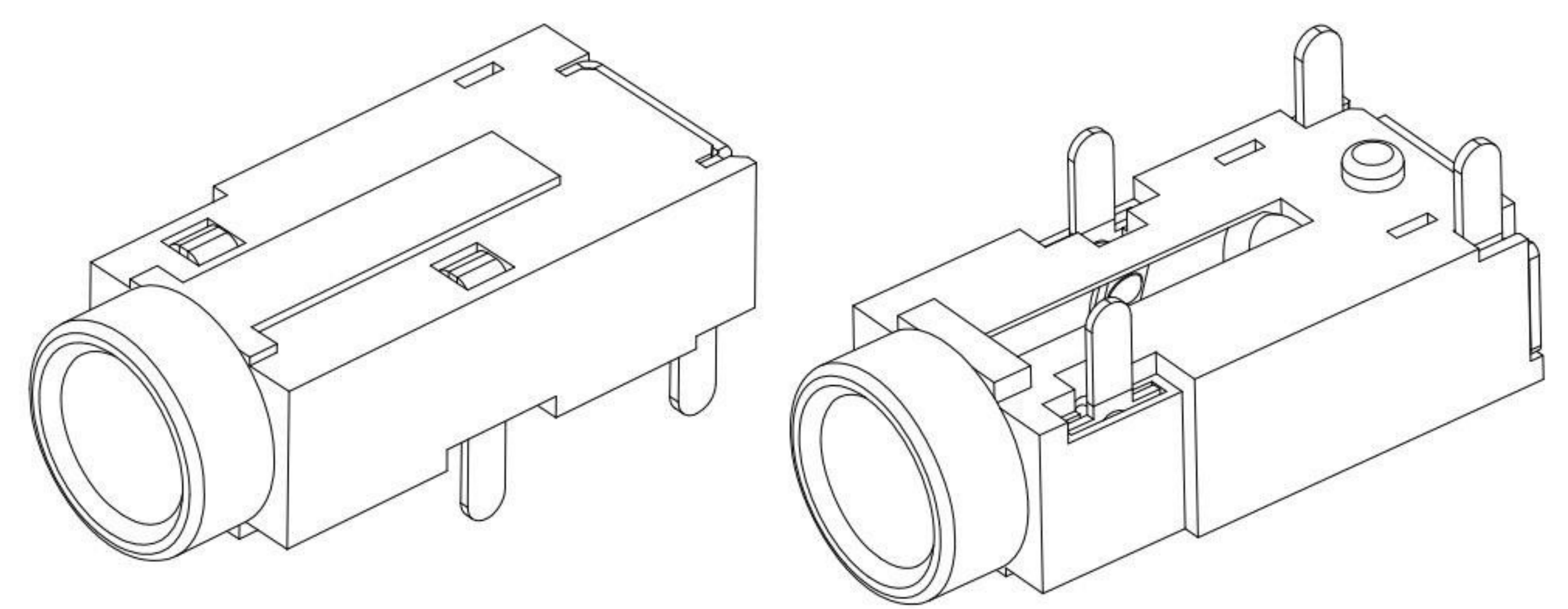
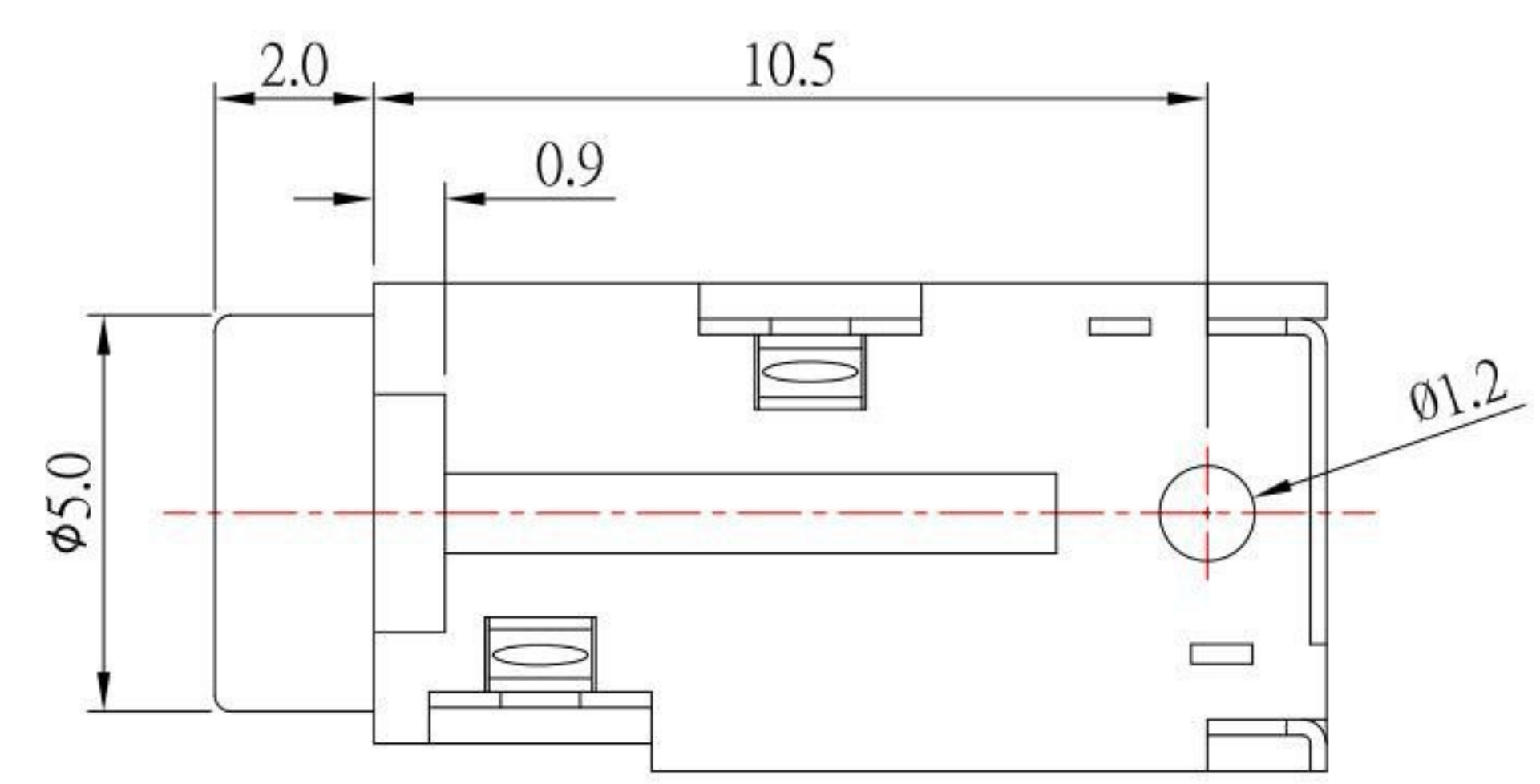
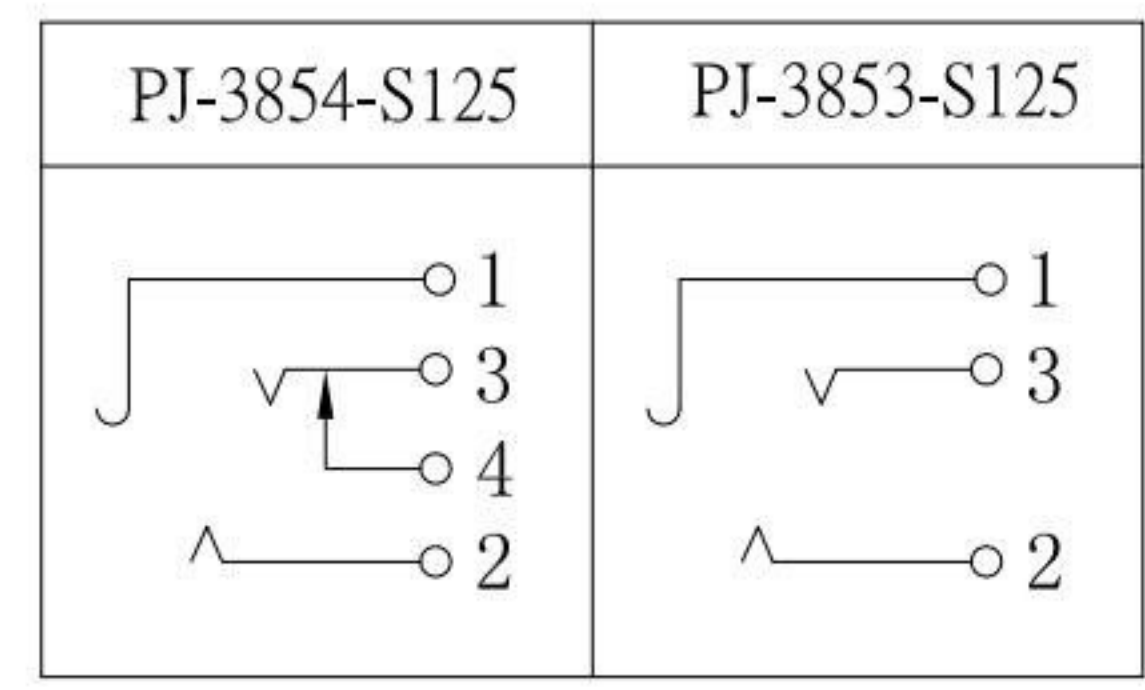


SCHEMATIC



SPECIFICATION

- 1.Rating : DC 30V 0.5A ;
- 2.Contact resistance : $\leq 30m\Omega$;
- 3.Insulation resistance : $\geq 100M\Omega$ (DC250V) ;
- 4.Withstand voltage : 500VAC ;
- 5.Insertion and extraction force : 3-20N
- 6.life test : 5,000 cycles °

KSD 科斯达电子科技有限公司
 SWITCH CONNECTOR KSD ELECTRONIC TECHNOLOGY Co., LTD
 全球 互联网 零组件 制造企业

TOLERANCE UNLESS OTHERWISE STATED :	Up to 5 ±0.2	3RD. ANGEL'S	UNITS	MM
	Above 5 ~ 15 ±0.3			
	Above 15 ~ 30 ±0.4			
	Above 30 ~ 50 ±0.5			
	Angle ±0.3°			

DRAWN BY:	DATE	MAT'L	TITLE	JACK
Frank Wu	11/28/11			
CHECKED BY:	DATE	FINISH	MODLE	PHONE JACK
Jacky Chen	11/28/11			
APPROVED BY:	DATE	SCALE	DWG NO.	PJ-385x-S125
Tony Kao	11/28/11	1 : 1		
		SHEET NO.	PART NO.	PJ-385x-S125
		1 of 1		

SIZE	A4
VER	A

ITEM NO.	DESCRIPTION	DRAWN	DATE