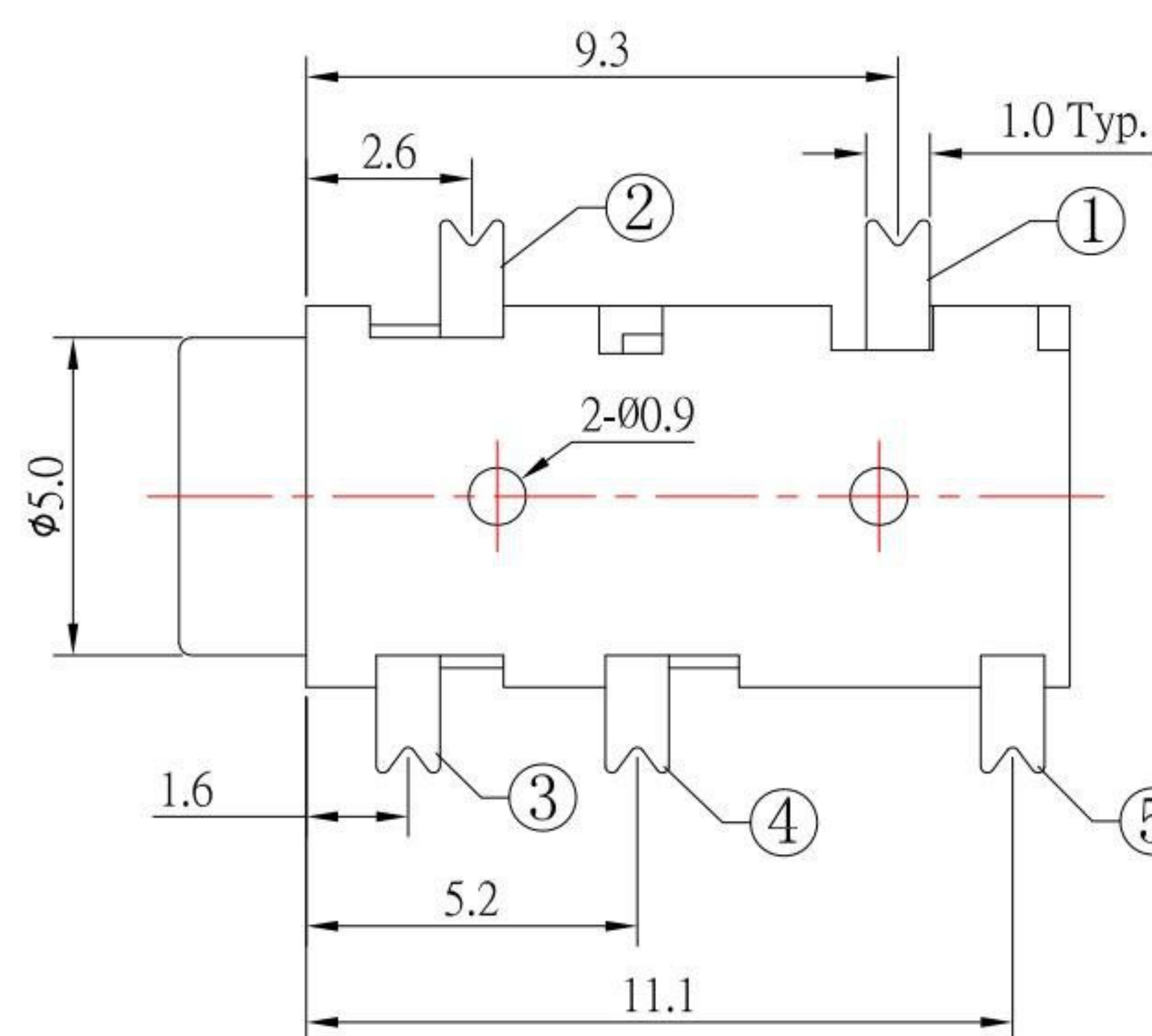
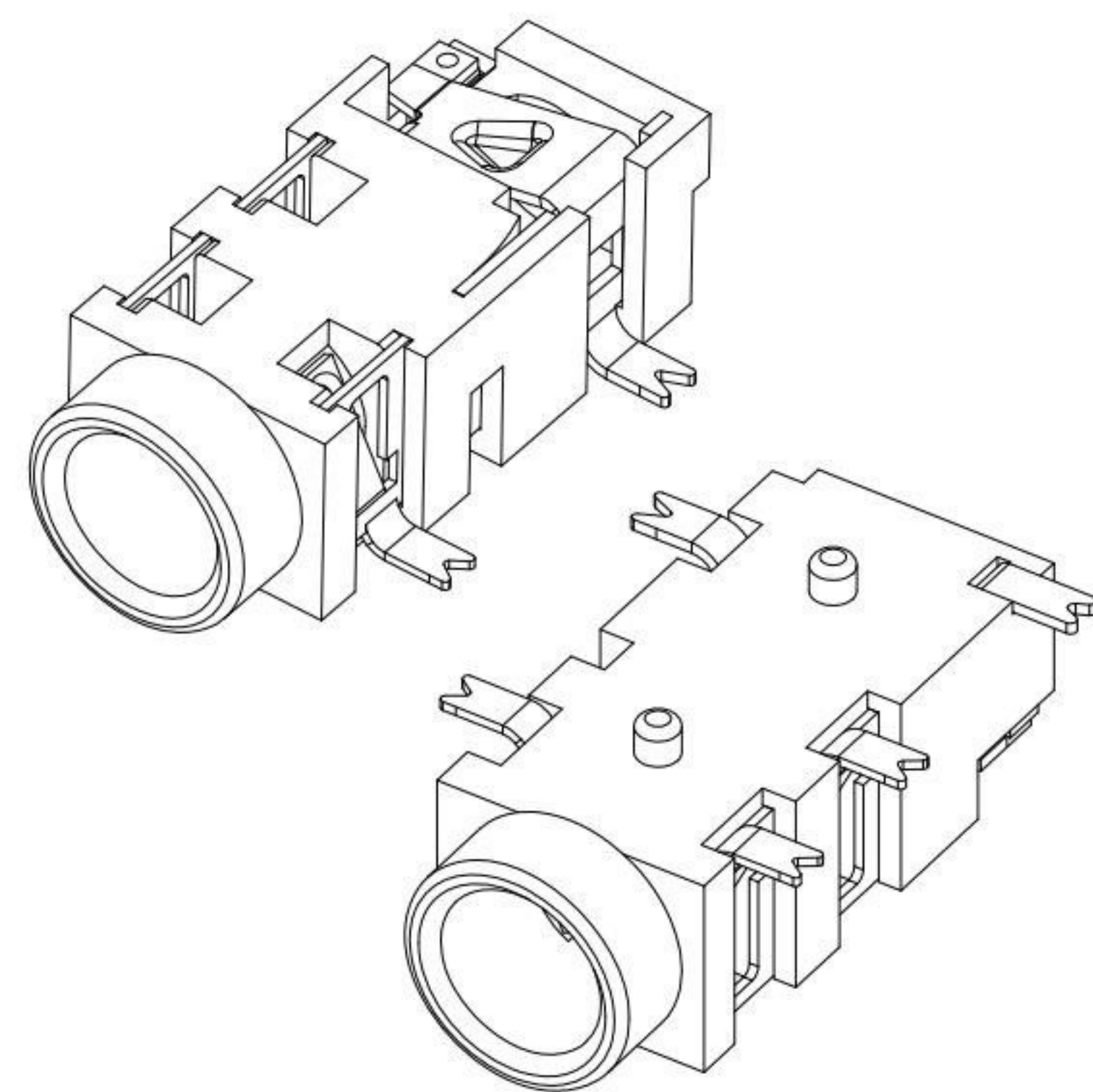


P.C.B LAYOUT



SPECIFICATION

- 1. Rating : DC 30V 0.5A
- 2. Contact resistance :  $\leq 50m\Omega$
- 3. Insulation resistance :  $\geq 100M\Omega$
- 4. Withstand voltage : 500VAC
- 5. Insertion and extraction force : 3-30N
- 6. life test : 5,000 cycles

SCHEMATIC

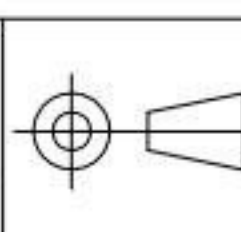
PJ-3865D-S125	PJ-3863D-S125	PJ-3863AD-S125	PJ-3864D-S125	PJ-3864AD-S125

NO.	DESCRIPTION	QTY	MATERIAL	PLATING
6	HOUSING	1	PA9T	
5	CURVE PIECE	1	BRASS	Au-Plating
4	CONTACT FOOT	1	SUS301	Au-Plating
3	CONTACT FOOT	1	SUS301	Au-Plating
2	CONTACT FOOT	1	SUS301	Au-Plating
1	SPRING PIECE	1	BE-CU	Au-Plating

**KSD** 科斯达电子科技有限公司  
 SWITCH CONNECTOR KSD ELECTRONIC TECHNOLOGY Co., LTD  
 全球 互联零组件制造企业

TOLERANCE UNLESS OTHERWISE STATED:  
 Up to 5 ±0.2  
 Above 5 ~ 15 ±0.3  
 Above 15 ~ 30 ±0.4  
 Above 30 ~ 50 ±0.5  
 Angle ±0.3°

3RD. ANGEL'S



UNITS MM

DRAWN BY:	DATE	MAT'L	TITLE	JACK
Jack Lu	08/05/14		MODLE	PHONE JACK
CHECKED BY:	DATE	FINISH	DWG NO.	PJ-386xD-S125
Jacky Chen	08/05/14		PART NO.	PJ-386xD-S125
APPROVED BY:	DATE	SCALE	SHEET NO.	1 of 1
Tony Kao	08/05/14	1:1		

ITEM NO.	DESCRIPTION	DRAWN	DATE
4	更新為A0版	Jack	080514
3	更新尺寸8.7改9.0	Jack	080114
2	更新SPEC及材質	Jack	060914
1	更新圖面	Jack	051914