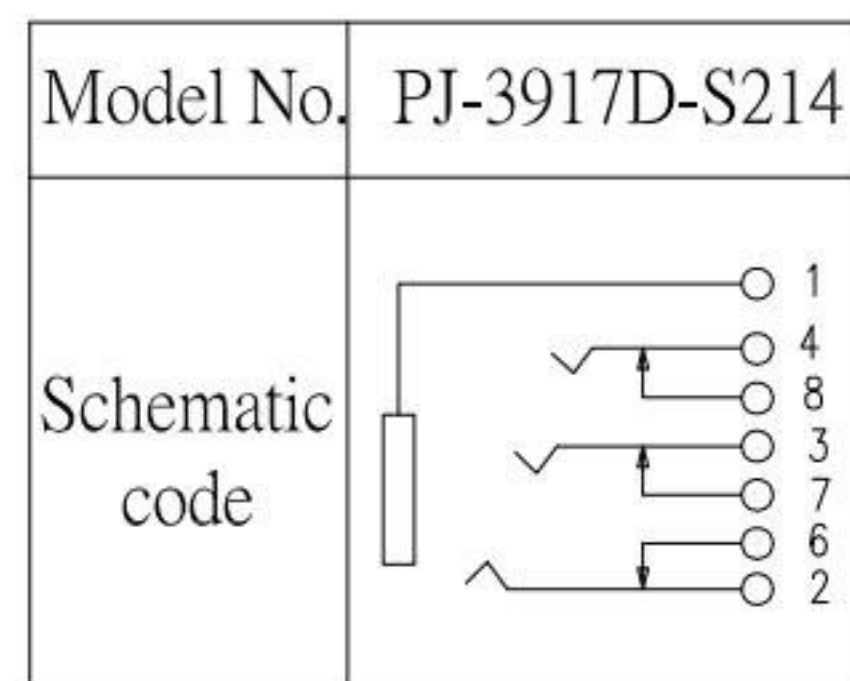
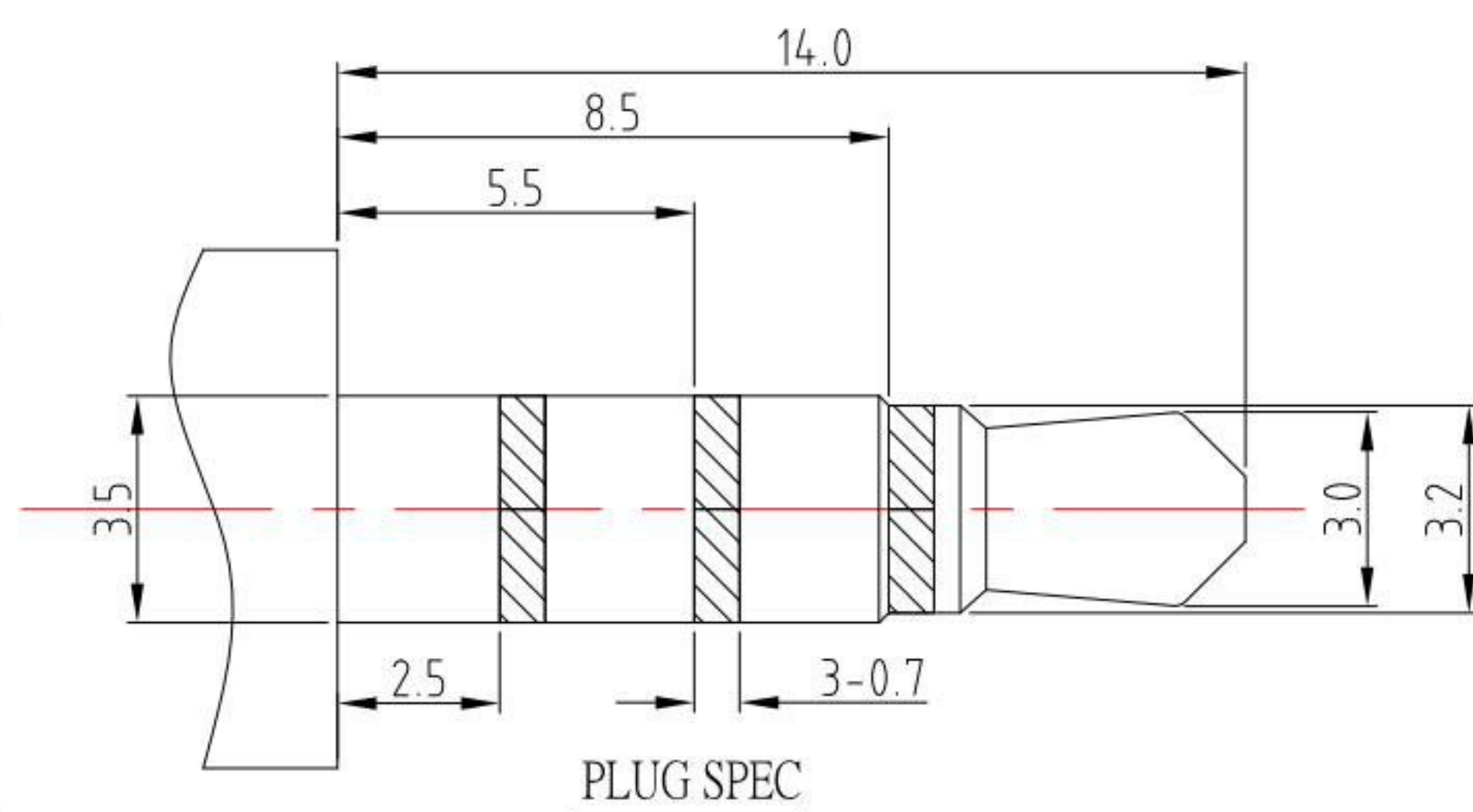
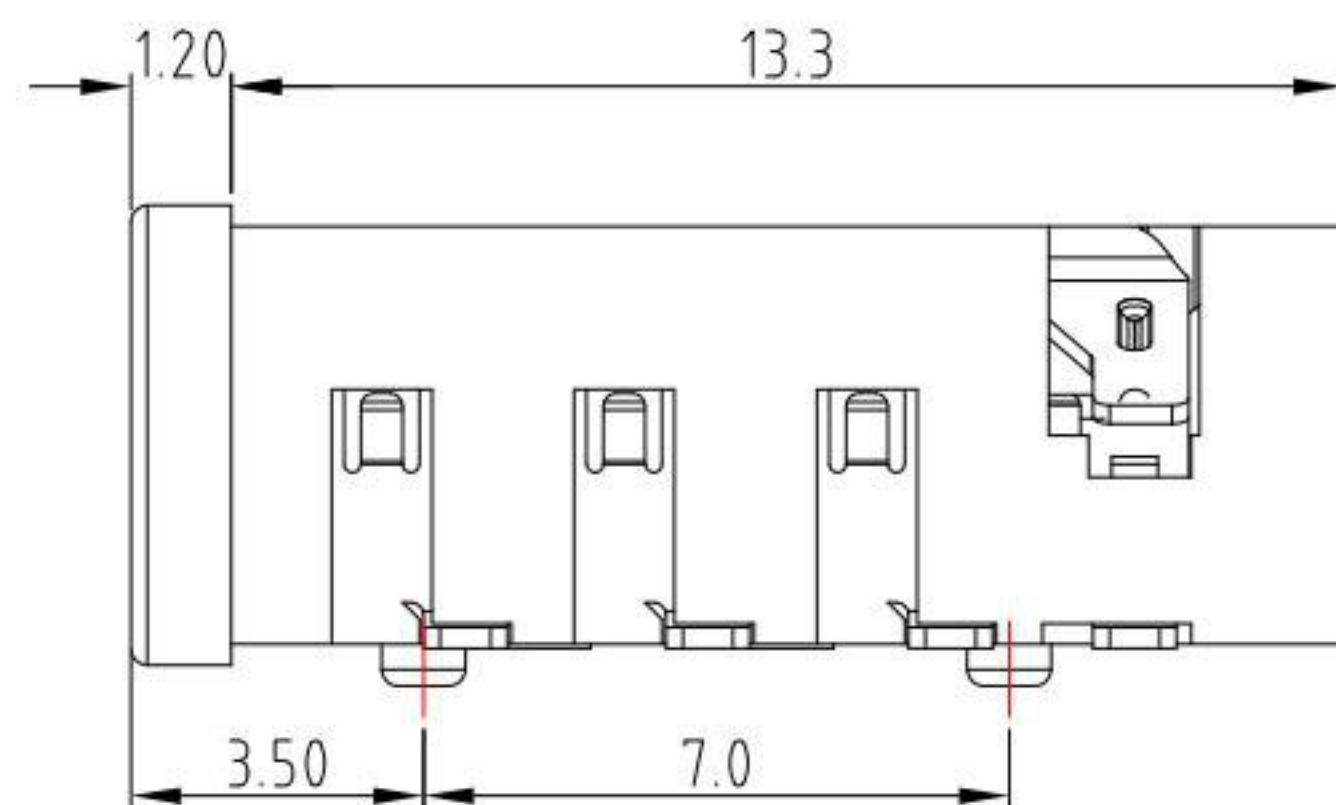
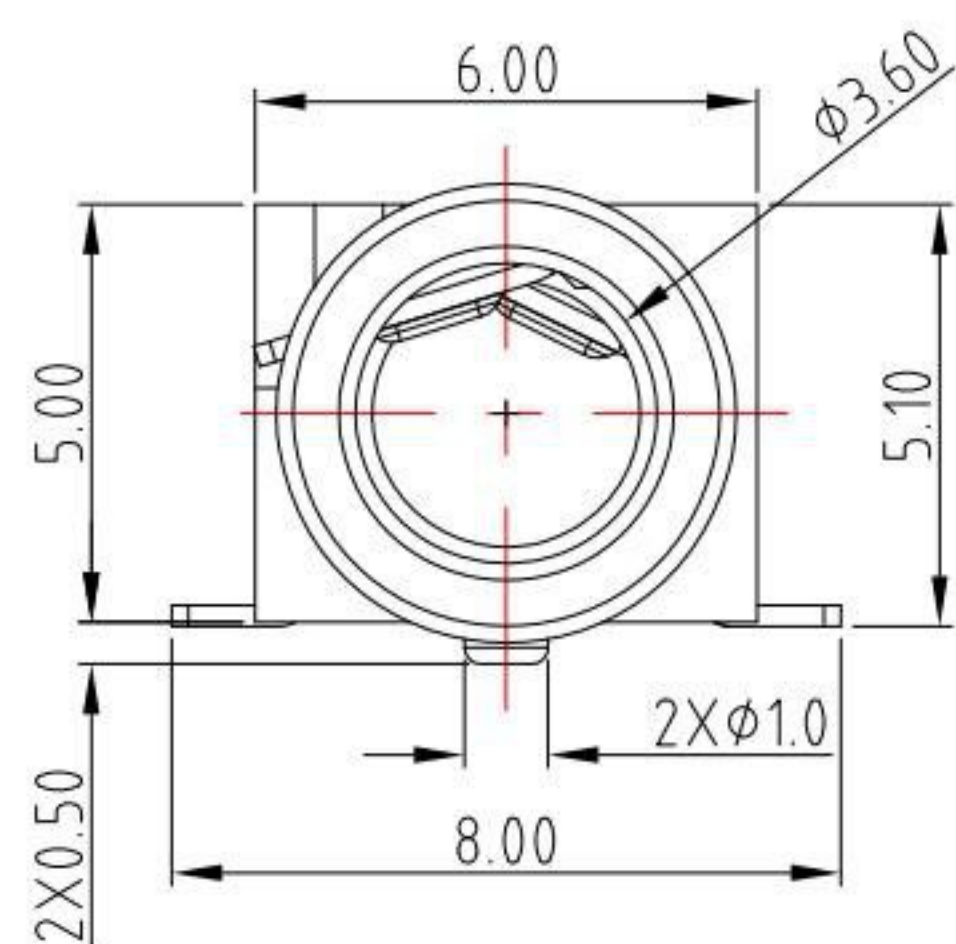


P.C.B LAYOUT  
TOP VIEW



NOTES:

1. ELECTRICAL CHARACTERISTICS:

1-1 CONTACT RESISTANCE: 50mΩ MAX. (INITIAL)  
100mΩ MAX. (FINAL)

1-2. DIELECTRIC WITHSTANDING VOLTAGE: 500V AC FOR ONE MINUTE.

1-3. INSULATION RESISTANCE: 100MΩ MIN. MEASURED BY 500V DC

2. MECHANICAL CHARACTERISTICS:

2-1. PLUG INSERTION FORCE : 0.3~3.0KGS .

2-2. PLUG WITHDRAWAL FORCE : 0.3~3.0KGS .

3. DURABILITY TEST: 5,000 CYCLES .

| ITEM | DESCRIPTIONs | MATERIAL        | FINISH     | Q'TY |
|------|--------------|-----------------|------------|------|
| ④    | MYLAR        |                 |            | 1    |
| ③    | CONTACT 2    | PHOSPHOR BRONZE | GOLD FLASH | 3    |
| ②    | CONTACT 1    | PHOSPHOR BRONZE | GOLD FLASH | 4    |
| ①    | HOUSING      | PA9T            | BLACK      | 1    |

| ITEM NO. | DESCRIPTION | DRAWN | DATE   |
|----------|-------------|-------|--------|
| 5        | 更新圖面        | Jack  | 042320 |
| 4        | 更新圖面        | Jack  | 041420 |
| 3        | 更新尺寸        | Jack  | 051618 |
| 2        | 更新料號        | Jack  | 091416 |
| 1        | 新增電路選項      | Jack  | 031016 |

**KSD** 科斯达电子科技有限公司  
SWITCH CONNECTOR 全球互聯零組件製造企業  
KSD ELECTRONIC TECHNOLOGY Co., LTD

TOLERANCE UNLESS OTHERWISE STATED:  
Up to 5 ±0.2  
Above 5 ~ 15 ±0.3  
Above 15 ~ 30 ±0.4  
Above 30 ~ 50 ±0.5  
Angle ±0.3°

3RD. ANGEL'S

UNITS MM

|              |          |          |               |               |
|--------------|----------|----------|---------------|---------------|
| DRAWN BY:    | DATE     | MAT'L    | TITLE         | JACK          |
| Jack Lu      | 04/23/20 |          |               |               |
| CHECKED BY:  | DATE     | FINISH   | MODLE         | PHONE JACK    |
| Jacky Chen   | 04/23/20 |          |               |               |
| APPROVED BY: | DATE     | SCALE    | DWG NO.       | PJ-3917D-S214 |
| Tony Kao     | 04/23/20 | 1 : 1    |               |               |
| SHEET NO.    | 1 of 1   | PART NO. | PJ-3917D-S214 |               |
|              |          |          |               | SIZE A4       |
|              |          |          |               | VER R5        |