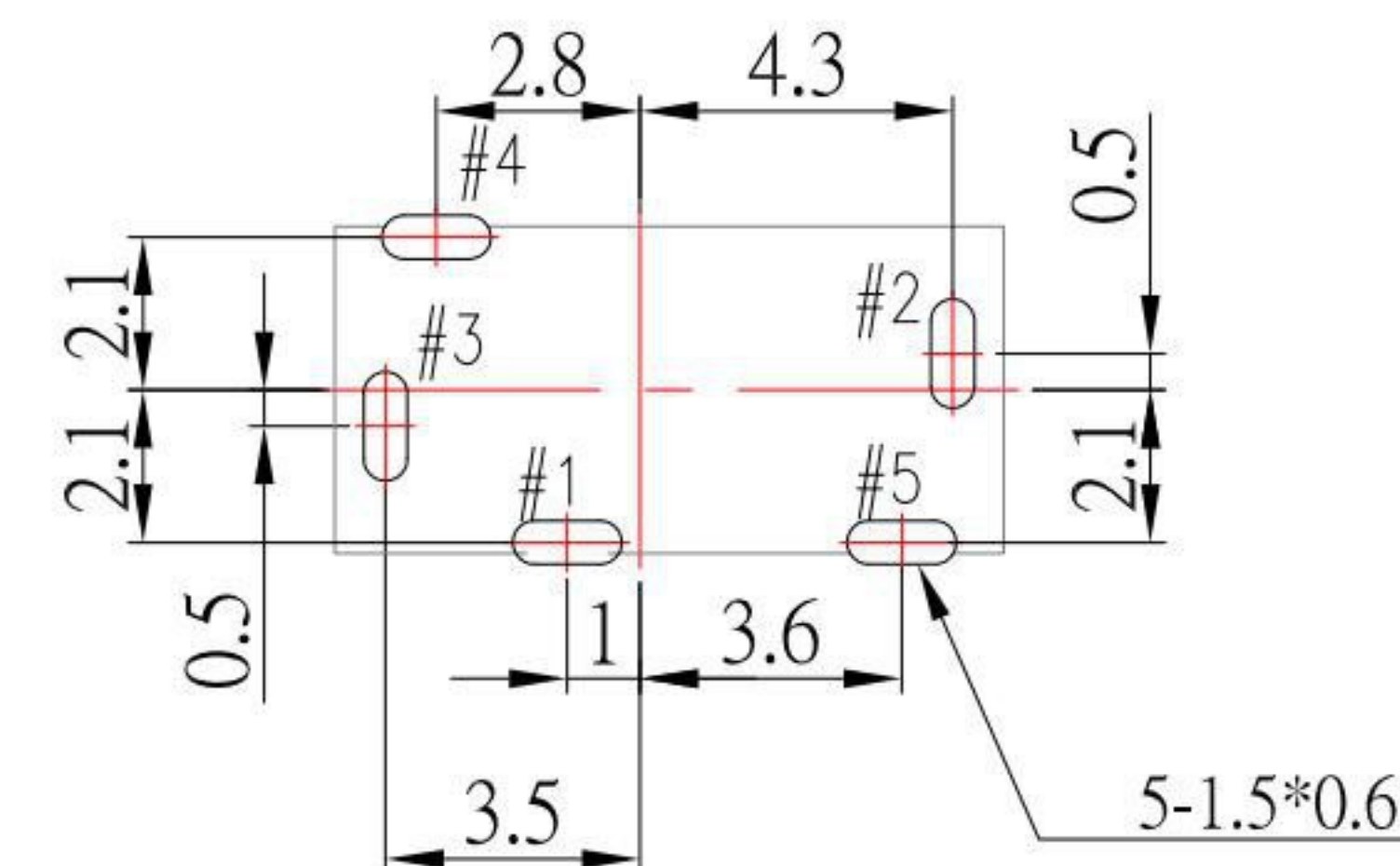
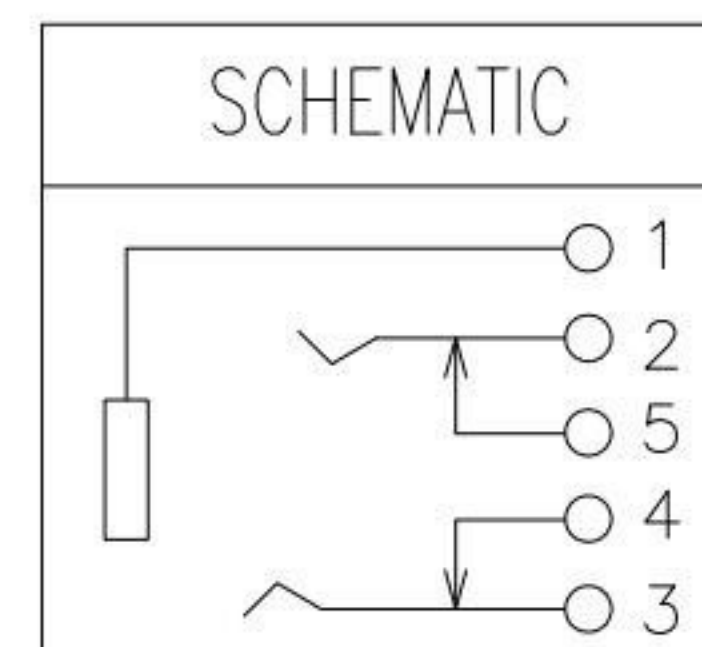
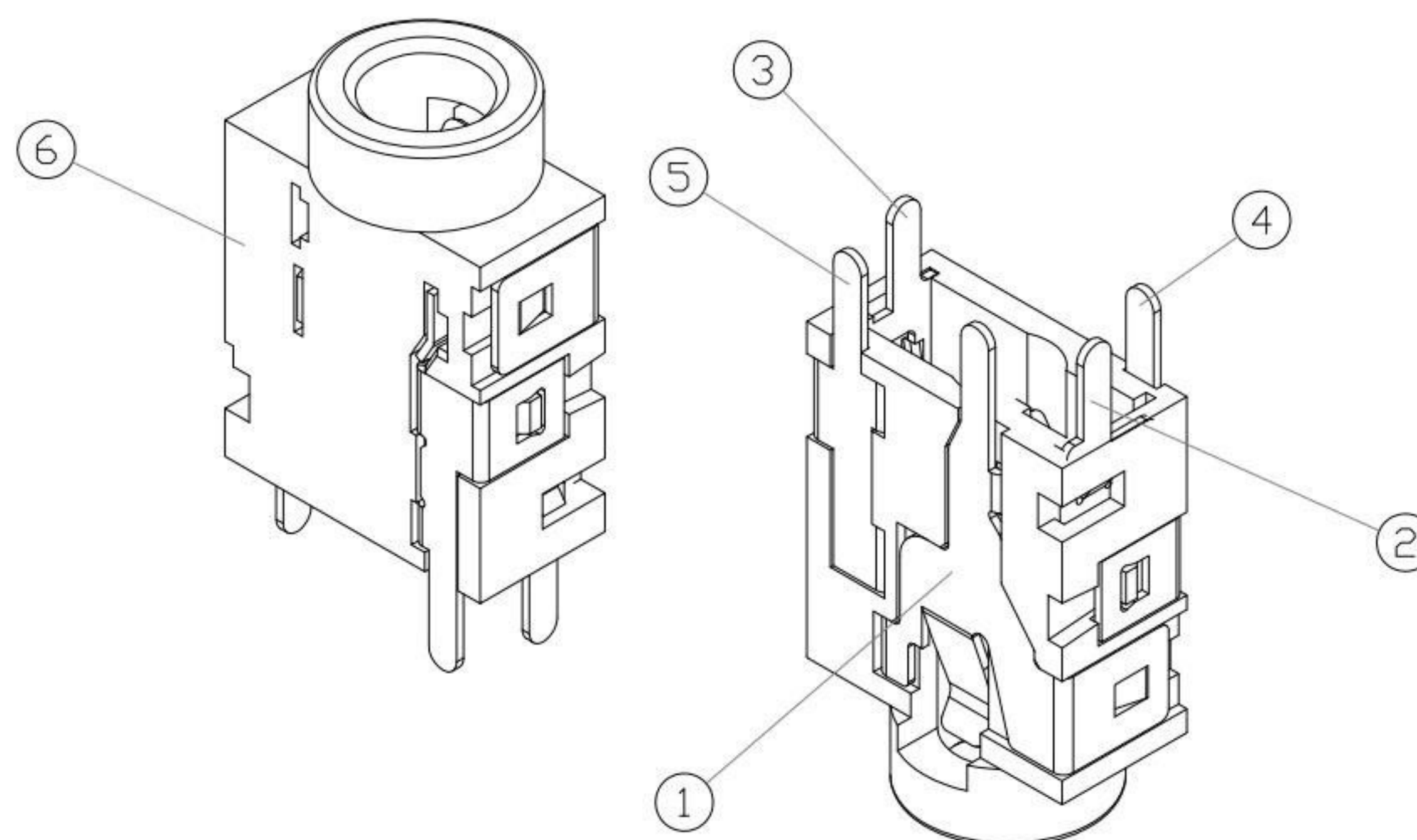
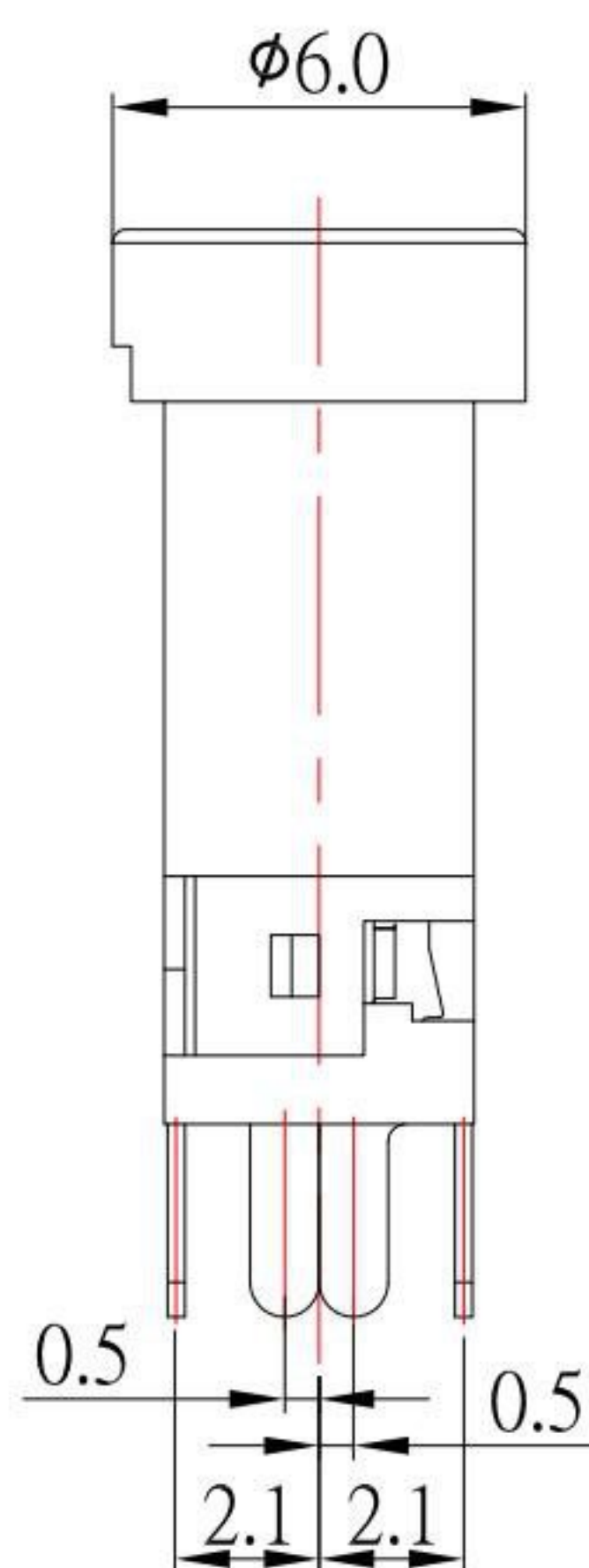
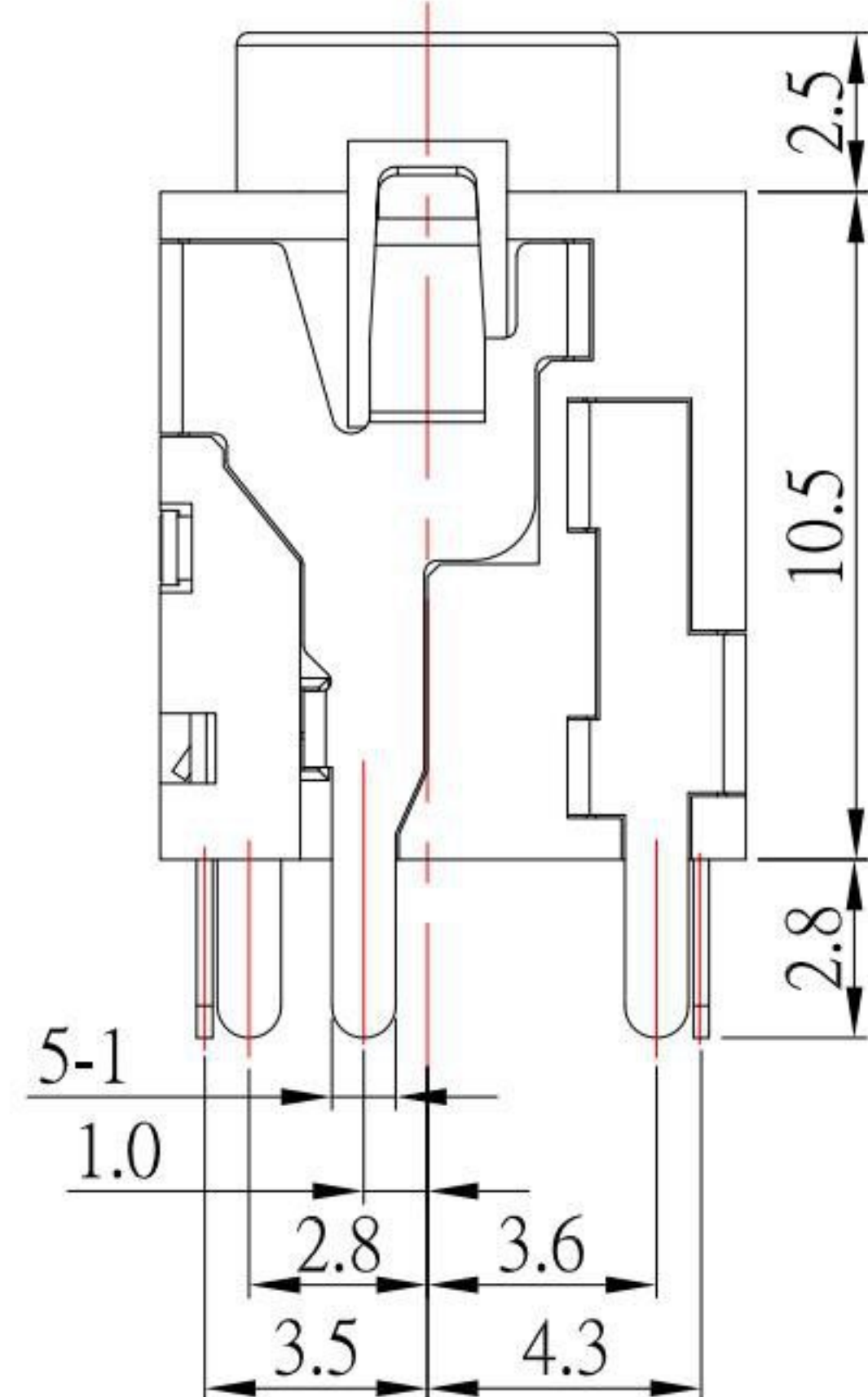


3.5 MATE PLUG



P.C.B LAYOUT TOP VIEW



Notes:

1. Electrical Characteristics:
  - 1-1. Rating : DC 30V, 0.5 A ;
  - 1-2. Contact Resistance: 50mΩ Max.(Initial), 100mΩ Max.(Final) After test: ≤50mΩ ;
  - 1-3. Dielectric Withstanding Voltage: 500V AC for One Minute ;
  - 1-4. Insulation Resistance: 100MΩ Min. Measured By 500 VDC
2. Mechanical Characteristics:
  - 2-1. Plug Insertion Force 0.3~3.0Kgf (initial), 0.3~3.0Kgf (Final) life test;
  - 2-2. Plug Extraction Force: 0.3~3.0Kgf (initial), 0.3~3.0Kgf (Final) life test;
3. Durability Test: 5,000 Cycles min;
4. Operating temperature: -25°C ~ +70°C;

LTR	PART NAME	QTY	MATERIAL	REMARK
⑥	HOUSING	1	PA66	BLACK
⑤	TERMINAL 5#	1	C2680	MB:Ni Ag PLATED
④	TERMINAL 4#	1	C2680	MB:Ni Ag PLATED
③	TERMINAL 3#	1	C5191	MB:Ni Ag PLATED
②	TERMINAL 2#	1	C5191	MB:Ni Ag PLATED
①	TERMINAL 1#	1	C5191	MB:Ni Ag PLATED

**KSD** 科斯达电子科技有限公司  
 SWITCH CONNECTOR KSD ELECTRONIC TECHNOLOGY Co., LTD  
 全球 互联零组件制造企业

TOLERANCE UNLESS OTHERWISE STATED:  
 Up to 5 ±0.2  
 Above 5 ~ 15 ±0.3  
 Above 15 ~ 30 ±0.4  
 Above 30 ~ 50 ±0.5  
 Angle ±0.3°

3RD. ANGEL'S

UNITS MM

DRAWN BY:	DATE	MAT'L	TITLE	JACK
Jack Lu	12/28/18			
CHECKED BY:	DATE	FINISH	MODLE	PHONE JACK
Jacky Chen	12/28/18			
APPROVED BY:	DATE	SCALE	DWG NO.	PJ-3935-S214
Tony Kao	12/28/18	1:1		
		SHEET NO.	PART NO.	PJ-3935-S214
		1 of 1		

ITEM NO.	DESCRIPTION	DRAWN	DATE
1	更新圖面	Jack	122818