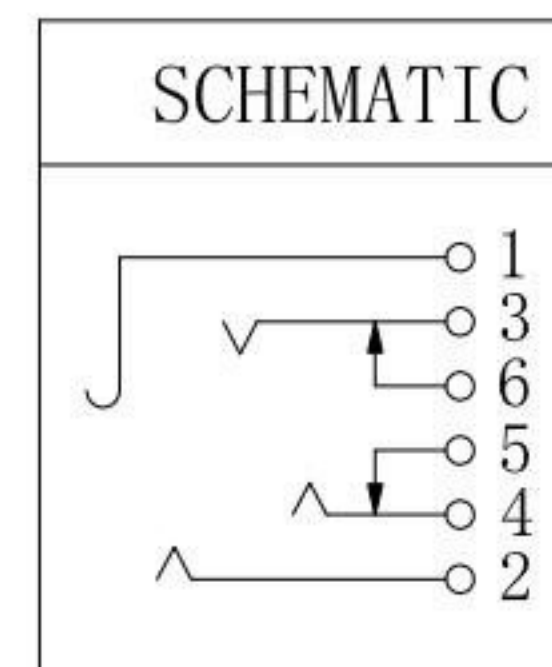
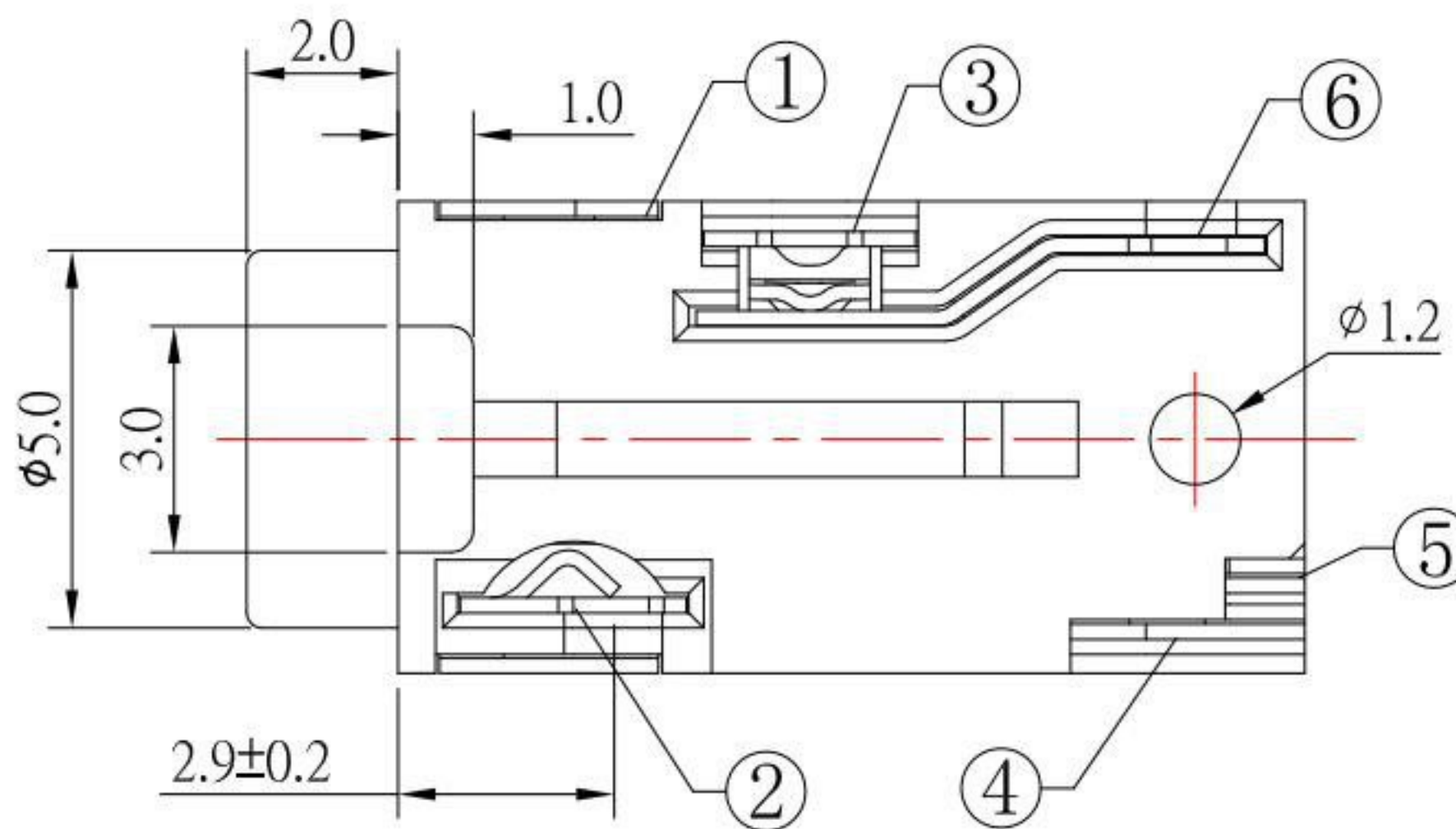
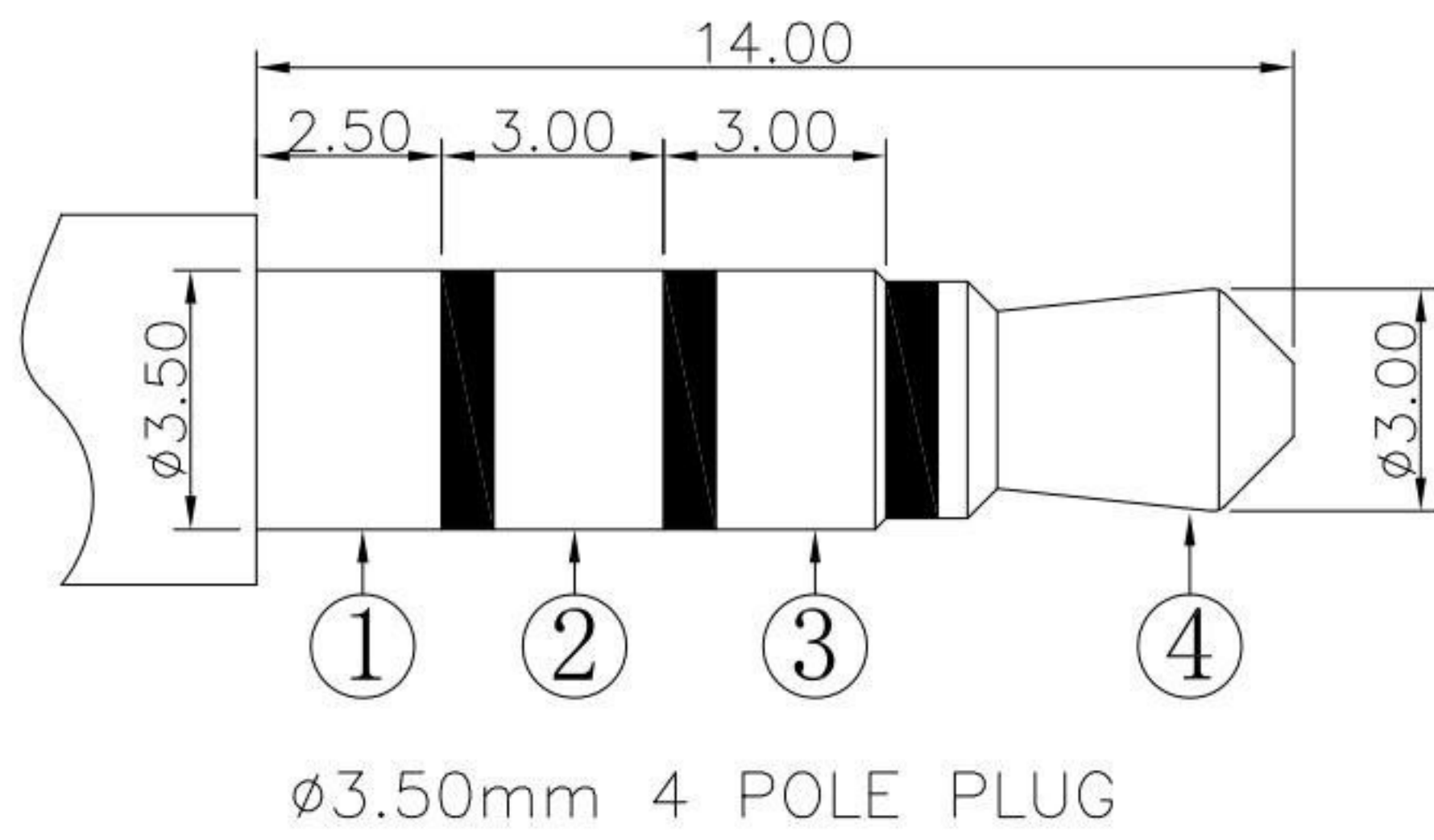


P.C.B LAYOUT
TOP VIEW



SPECIFICATION

- 1. Rating : DC 30V, 1.0A ;
- 2. Contact resistance : $\leq 30m\Omega$;
- 3. Insulation resistance : $\geq 100M\Omega$;
- 4. Withstand voltage : 500VAC ;
- 5. Insertion and extraction force : 3-20N;
- 6. life test : 5,000 cycles .

NO.	DESCRIPTION	QTY	MATERIAL	PLATING
7	HOUSING	1	PPA	
6	6# CONTACT FOOT	1	PHOSPHOR BRONZE	Au-Plating
5	5# CONTACT FOOT	1	PHOSPHOR BRONZE	Au-Plating
4	4# CONTACT FOOT	1	PHOSPHOR BRONZE	Au-Plating
3	3# CONTACT FOOT	1	PHOSPHOR BRONZE	Au-Plating
2	2# CONTACT FOOT	1	PHOSPHOR BRONZE	Au-Plating
1	1# CONTACT FOOT	1	PHOSPHOR BRONZE	Au-Plating

ITEM NO.	DESCRIPTION	DRAWN	DATE
8	更新SCHEMATIC選項	Jack	032222
7	更新尺寸及材質	Jack	061219
6	更新SCHEMATIC選項	Jack	041819
5	更新SCHEMATIC選項	Jack	102517
4	更新外型樣式	Jack	083017
3	更新為A0版	Jack	051717
2	更新SCHEMATIC	Jack	051117
1	更新尺寸	Jack	090816

KSD 科斯达电子科技有限公司
SWITCH CONNECTOR KSD ELECTRONIC TECHNOLOGY Co., LTD
全球 互聯零組件製造企業

TOLERANCE UNLESS OTHERWISE STATED :
Up to 5 ±0.2
Above 5 ~ 15 ±0.3
Above 15 ~ 30 ±0.4
Above 30 ~ 50 ±0.5
Angle ±0.3

3RD. ANGEL'S

UNITS MM

DRAWN BY:	DATE	MAT'L	TITLE	JACK
Jack Lu	03/22/22			
CHECKED BY:	DATE	FINISH	MODLE	PHONE JACK
Jacky Chen	03/22/22			
APPROVED BY:	DATE	SCALE	DWG NO.	
Tony Kao	03/22/22	1:1	PJ-3956-S124	
SHEET NO.	1 of 1	PART NO.	PJ-3956-S124	
				SIZE A4
				VER R8