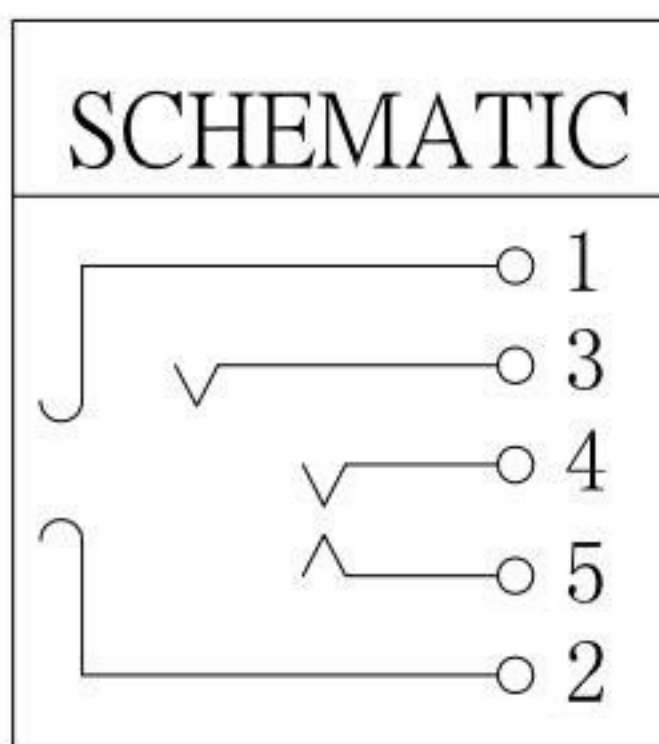
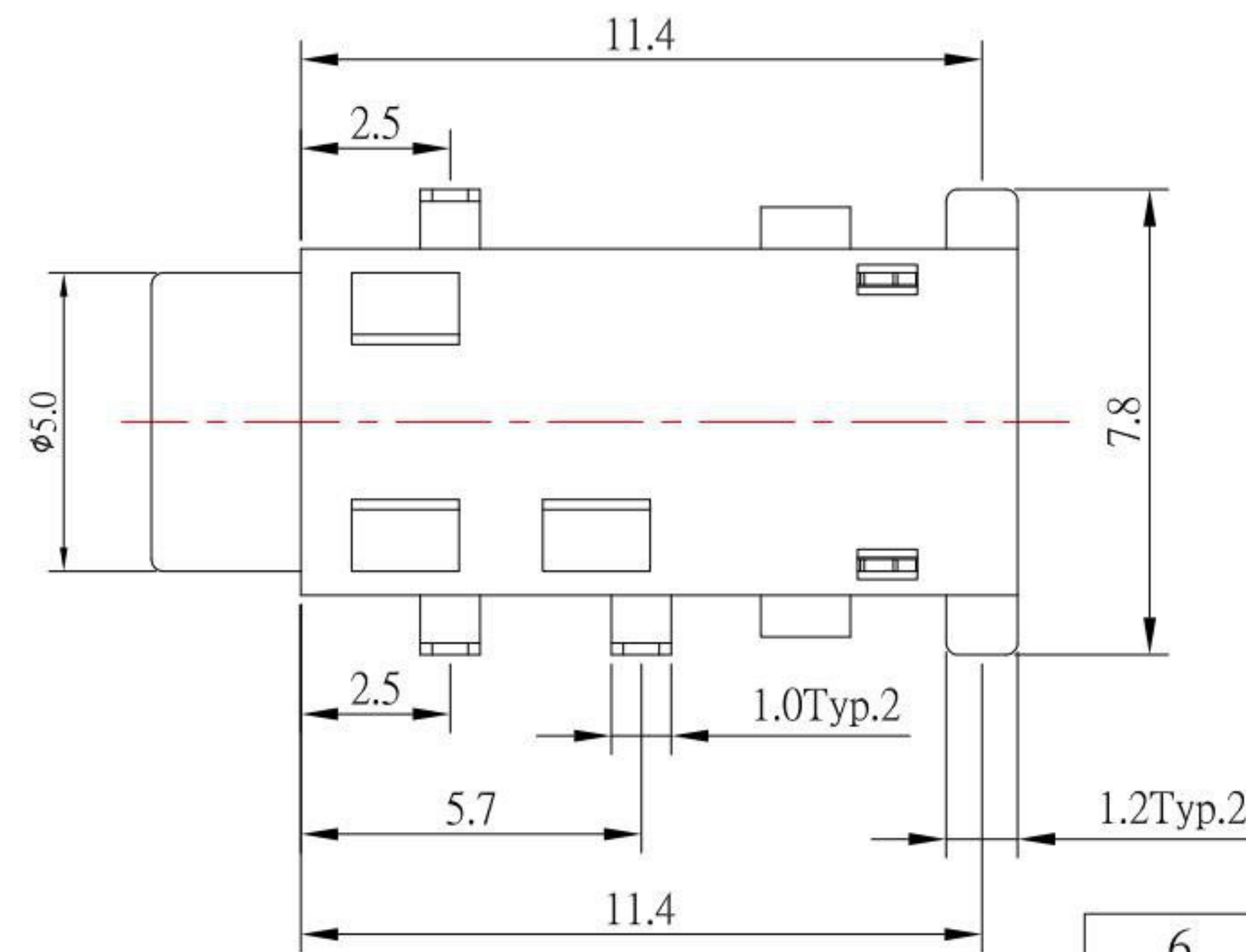
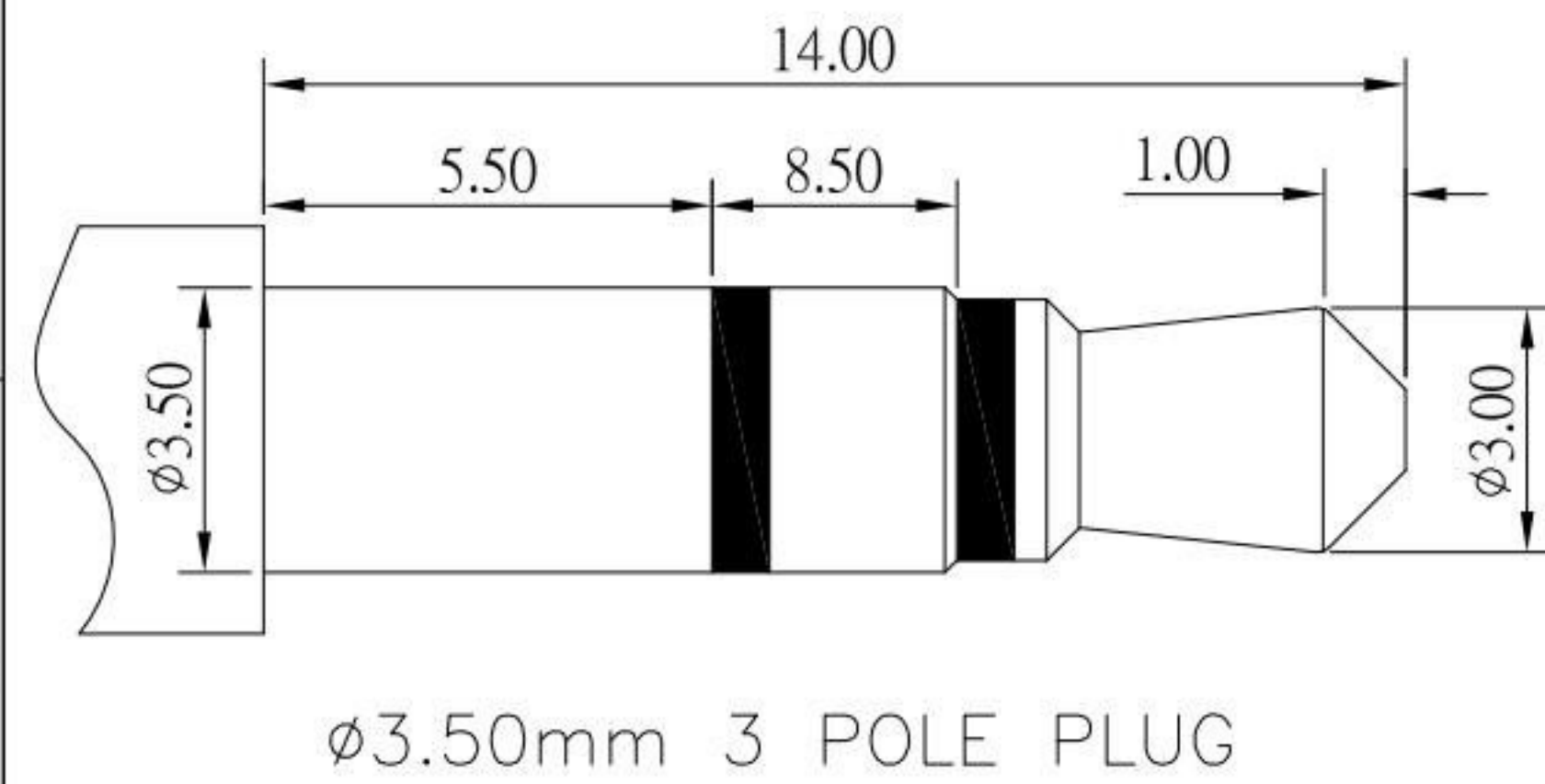


P.C.B LAYOUT  
TOP VIEW



SPECIFICATION

- 1. Rating: DC 30V 0.5A ;
- 2. Contact resistance:  $\leq 30m\Omega$  ;
- 3. Insulation resistance:  $\geq 100M\Omega$  ;
- 4. Withstand voltage: 500VAC ;
- 5. Insertion and extraction force: 3-20N;
- 6. life test: 5,000 cycles °

NO.	DESCRIPTION	QTY	MATERIAL	PLATING
6	HOUSING	1	PA9T	
5	5# CONTACT FOOT	1	PHOSPHOR BRONZE	Au-Plating
4	4# CONTACT FOOT	1	PHOSPHOR BRONZE	Au-Plating
3	3# CONTACT FOOT	1	PHOSPHOR BRONZE	Au-Plating
2	2# CONTACT FOOT	1	PHOSPHOR BRONZE	Au-Plating
1	1# CONTACT FOOT	1	PHOSPHOR BRONZE	Au-Plating

**KSD** 科斯达电子科技有限公司  
SWITCH CONNECTOR KSD ELECTRONIC TECHNOLOGY Co., LTD  
全球 互联零组件制造企业

TOLERANCE UNLESS OTHERWISE STATED:  
Up to 5 ±0.2  
Above 5 ~ 15 ±0.3  
Above 15 ~ 30 ±0.4  
Above 30 ~ 50 ±0.5  
Angle ±0.3°

3RD. ANGEL'S

UNITS MM

DRAWN BY:	DATE	MAT'L	TITLE	JACK
Jack Lu	04/12/17		MODLE	3.5mm PHONE JACK 端子脚镀金
CHECKED BY:	DATE	FINISH	DWG NO.	PJ-5055D-S124
Jacky Chen	04/12/17		PART NO.	PJ-5055D-S124
APPROVED BY:	DATE	SCALE	SHEET NO.	1 of 1
Tony Kao	04/12/17	1:1		

ITEM NO.	DESCRIPTION	DRAWN	DATE
1	更新外型样式	Jack	041217

SIZE A4  
VER R1