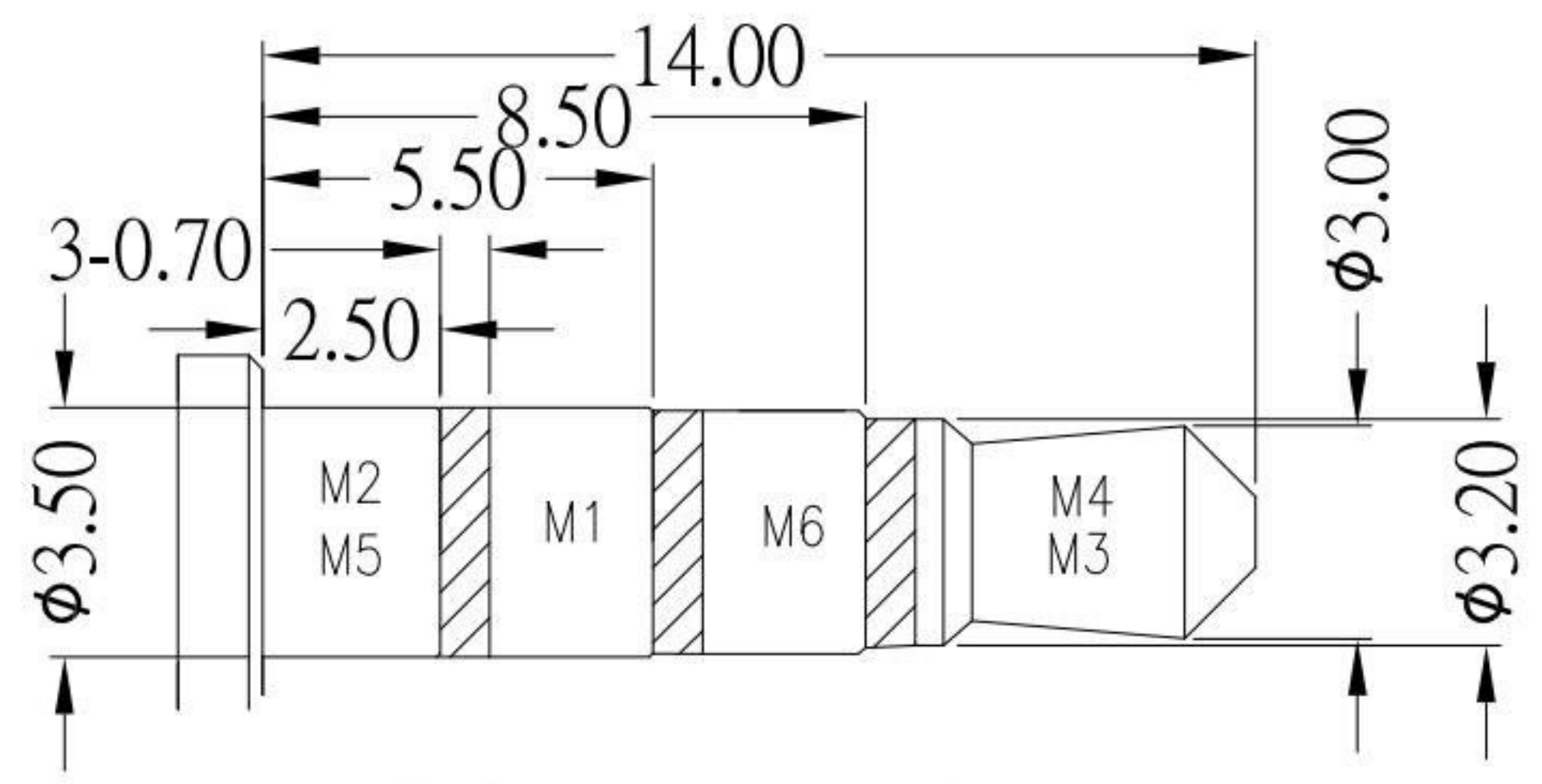
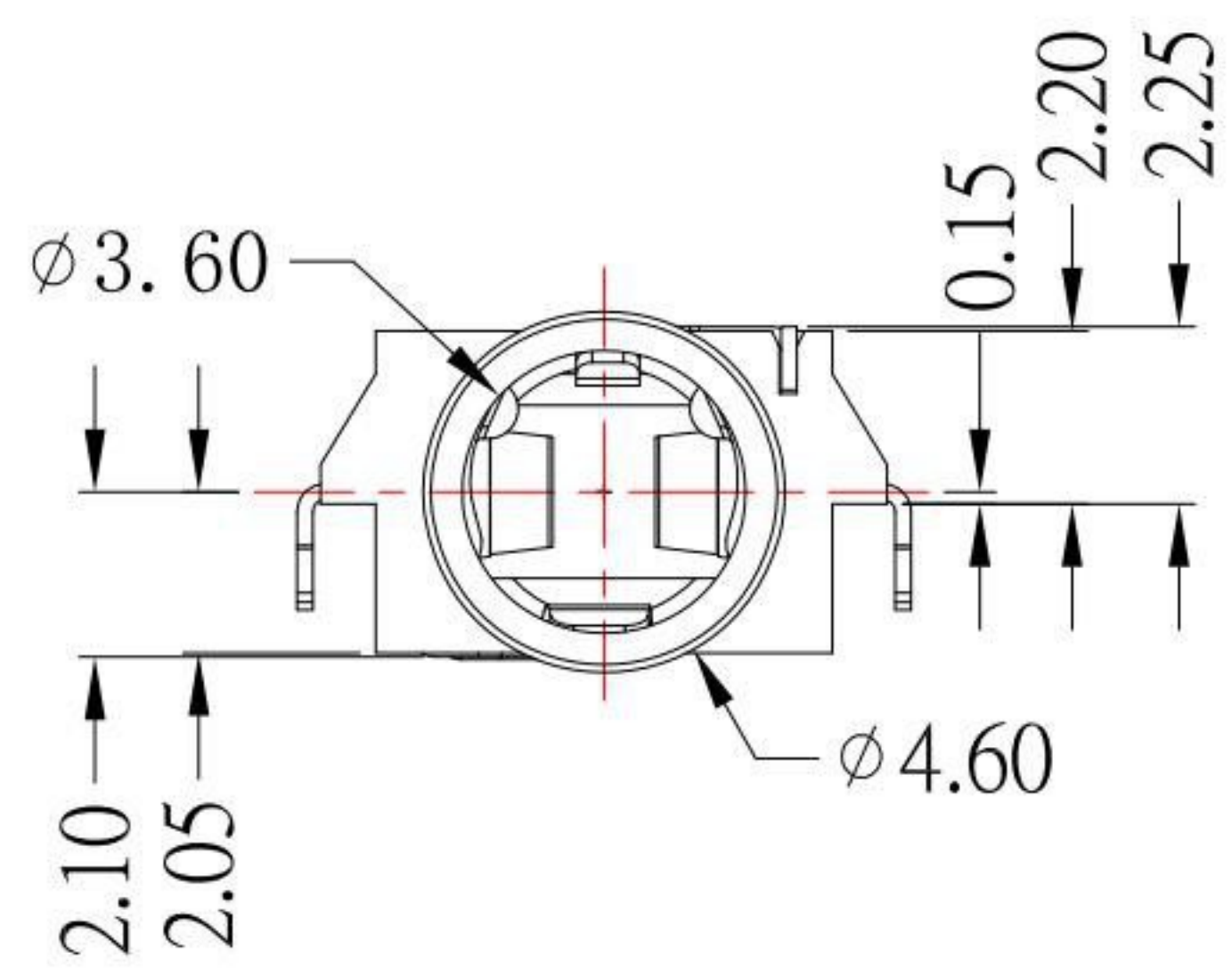
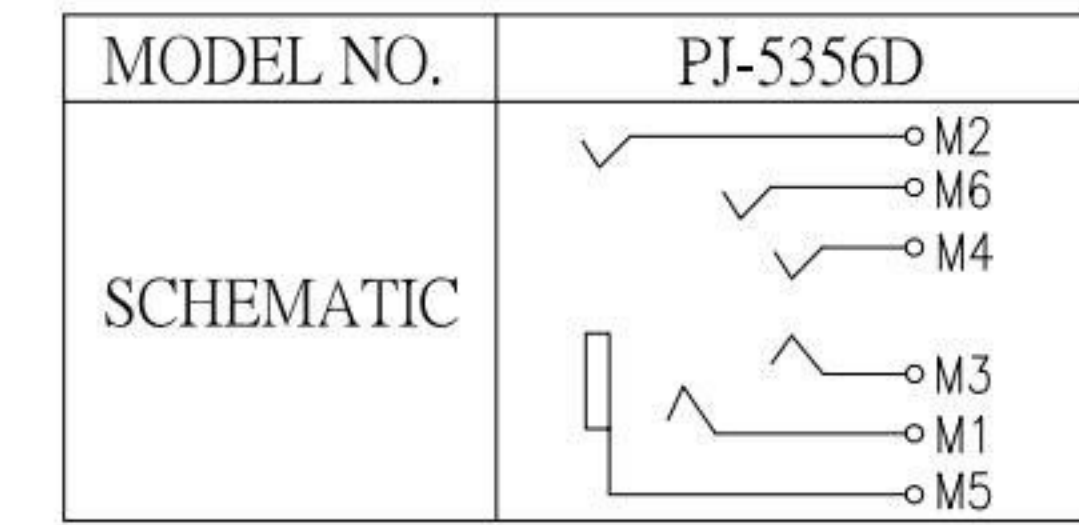


P.C.B LAYOUT  
TOP VIEW



□3.5 MATE PLUG



SPECIFICATIONS:

- 1.CURRENT RATING: 0.3A,16V DC.
- 2.CONTACT RESISTANCE: 30mΩ MAX.
- 3.INSULATION RESISTANCE: 100MΩ MIN AT 500V DC.
- 4.WITHSTAND VOLTAGE: AC 500V/ 1 MINUTE.
- 4.OPERATING TEMPERATURE RANGE: -25°C TO +85°C.
5. INSERTION FORCE: 0.3~3.0Kgf.
6. EXTRACTION FORCE: 0.3~3.0Kgf.

ITEM	DESCRIPTIONs	MATERIAL	FINISH	Q'TY
⑦	TERMINAL M6	PHOSPHOR BRONZE	Gold Plated	1
⑥	TERMINAL M5	PHOSPHOR BRONZE	Gold Plated	1
⑤	TERMINAL M4	PHOSPHOR BRONZE	Gold Plated	1
④	TERMINAL M3	PHOSPHOR BRONZE	Gold Plated	1
③	TERMINAL M2	PHOSPHOR BRONZE	Gold Plated	1
②	TERMINAL M1	PHOSPHOR BRONZE	Gold Plated	1
①	HOUSING	PA9T		1

**KSD** 科斯达电子科技有限公司  
SWITCH CONNECTOR KSD ELECTRONIC TECHNOLOGY Co., LTD  
全球 互联零组件制造企业

TOLERANCE UNLESS OTHERWISE STATED:  
 Up to 5 ±0.2  
 Above 5 ~ 15 ±0.3  
 Above 15 ~ 30 ±0.4  
 Above 30 ~ 50 ±0.5  
 Angle ±0.3°

3RD. ANGEL'S  
 UNITS MM

DRAWN BY:	DATE	MAT'L	TITLE	JACK
Jack Lu	05/28/21			
CHECKED BY:	DATE	FINISH	MODLE	PHONE JACK
Jacky Chen	05/28/21			
APPROVED BY:	DATE	SCALE	DWG NO.	PJ-5356D-S214
Tony Kao	05/28/21	1 : 1		
		SHEET NO.	PART NO.	PJ-5356D-S214
		1 of 1		

ITEM NO.	DESCRIPTION	DRAWN	DATE
2	更新φ3.5 MATE PLUG	Jack	052821
1	更新為A0版	Jack	091416

SIZE	A4
VER	R2