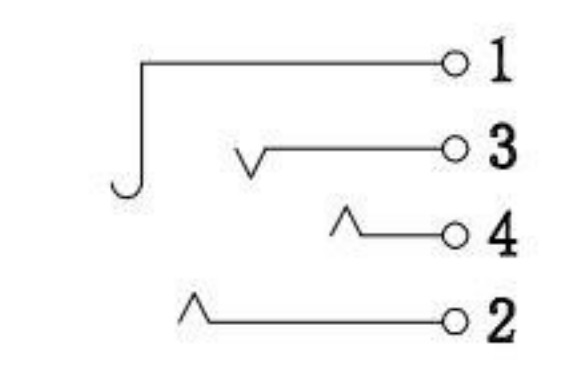
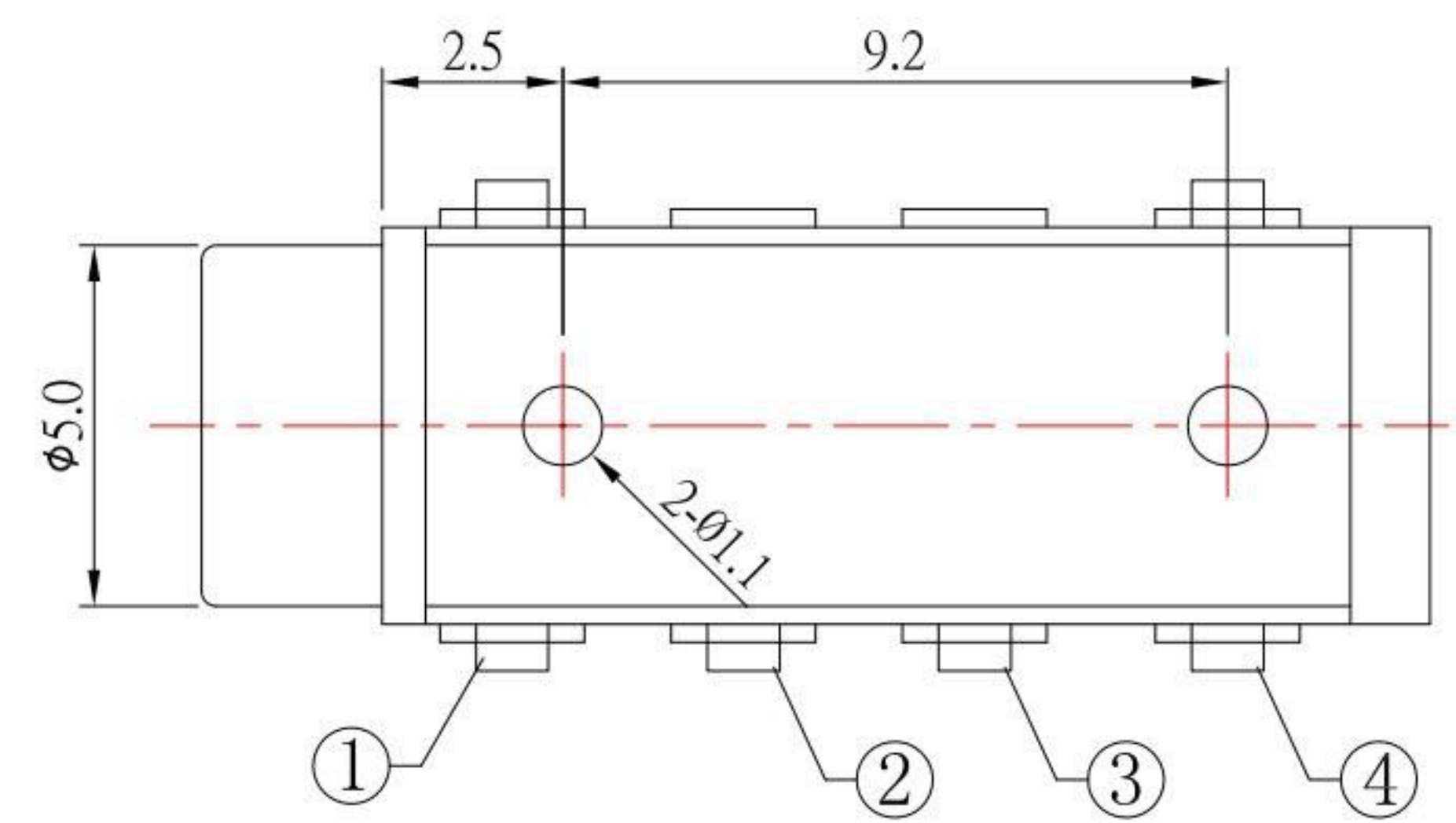
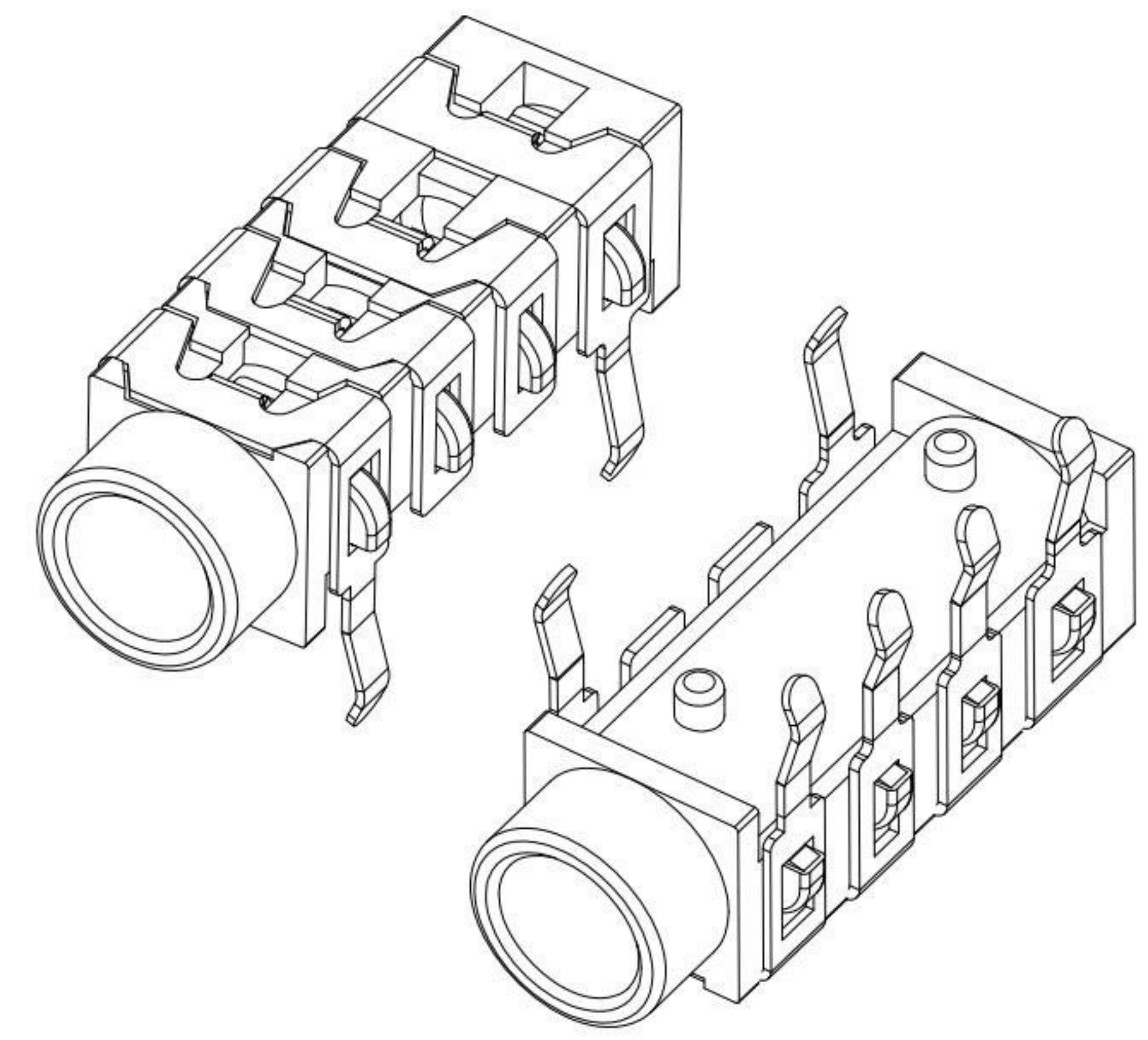


P.C.B LAYOUT  
TOP VIEW



SCHEMATIC

SPECIFICATION

1. Rating : DC 30V 1.0A
2. Contact resistance :  $\leq 30m\Omega$
3. Insulation resistance :  $\geq 100M\Omega$
4. Withstand voltage : 500VAC
5. Insertion and extraction force : 3-20N
6. life test : 5,000 cycles

NO.	DESCRIPTION	QTY	MATERIAL	PLATING
5	HOUSING	1	PBT	
4	CONTACT FOOT	1	SUS301	Sn-Plating
3	CONTACT FOOT	1	SUS301	Sn-Plating
2	CONTACT FOOT	1	SUS301	Sn-Plating
1	CONTACT FOOT	1	SUS301	Sn-Plating

**KSD** 科斯达电子科技有限公司  
 SWITCH CONNECTOR KSD ELECTRONIC TECHNOLOGY Co., LTD  
 全球 互联零组件制造企业

TOLERANCE UNLESS OTHERWISE STATED :  
 Up to 5 ±0.2  
 Above 5 ~ 15 ±0.3  
 Above 15 ~ 30 ±0.4  
 Above 30 ~ 50 ±0.5  
 Angle ±0.3°

3RD. ANGEL'S

UNITS MM

DRAWN BY:	DATE	MAT'L	TITLE	JACK
Jack Lu	06/26/14			
CHECKED BY:	DATE	FINISH	MODLE	PHONE JACK
Jacky Chen	06/26/14			
APPROVED BY:	DATE	SCALE	DWG NO.	PJ-D3013B-S125
Tony Kao	06/26/14	1 : 1		
		SHEET NO.	PART NO.	PJ-D3013B-S125
		1 of 1		

ITEM NO.	DESCRIPTION	DRAWN	DATE