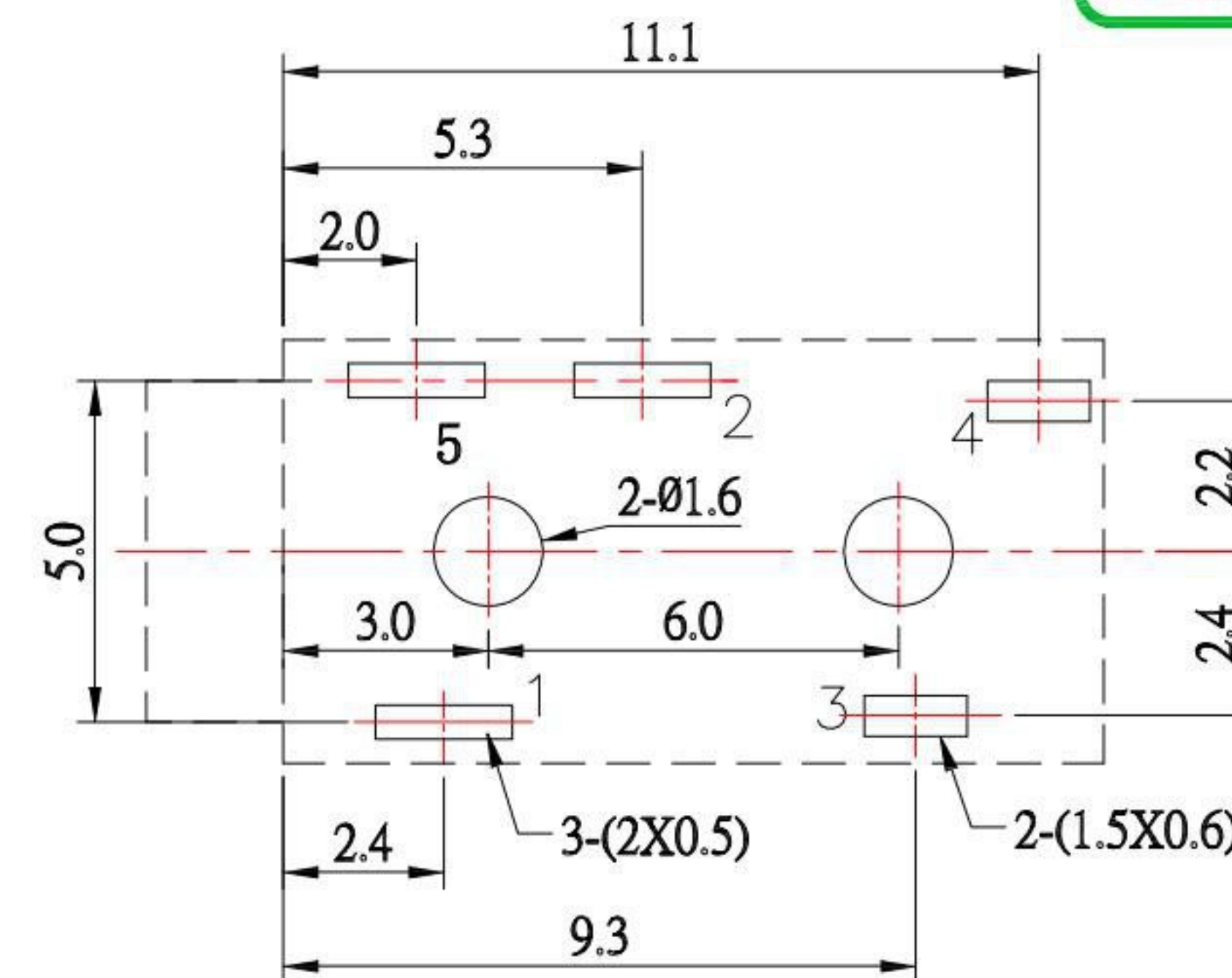
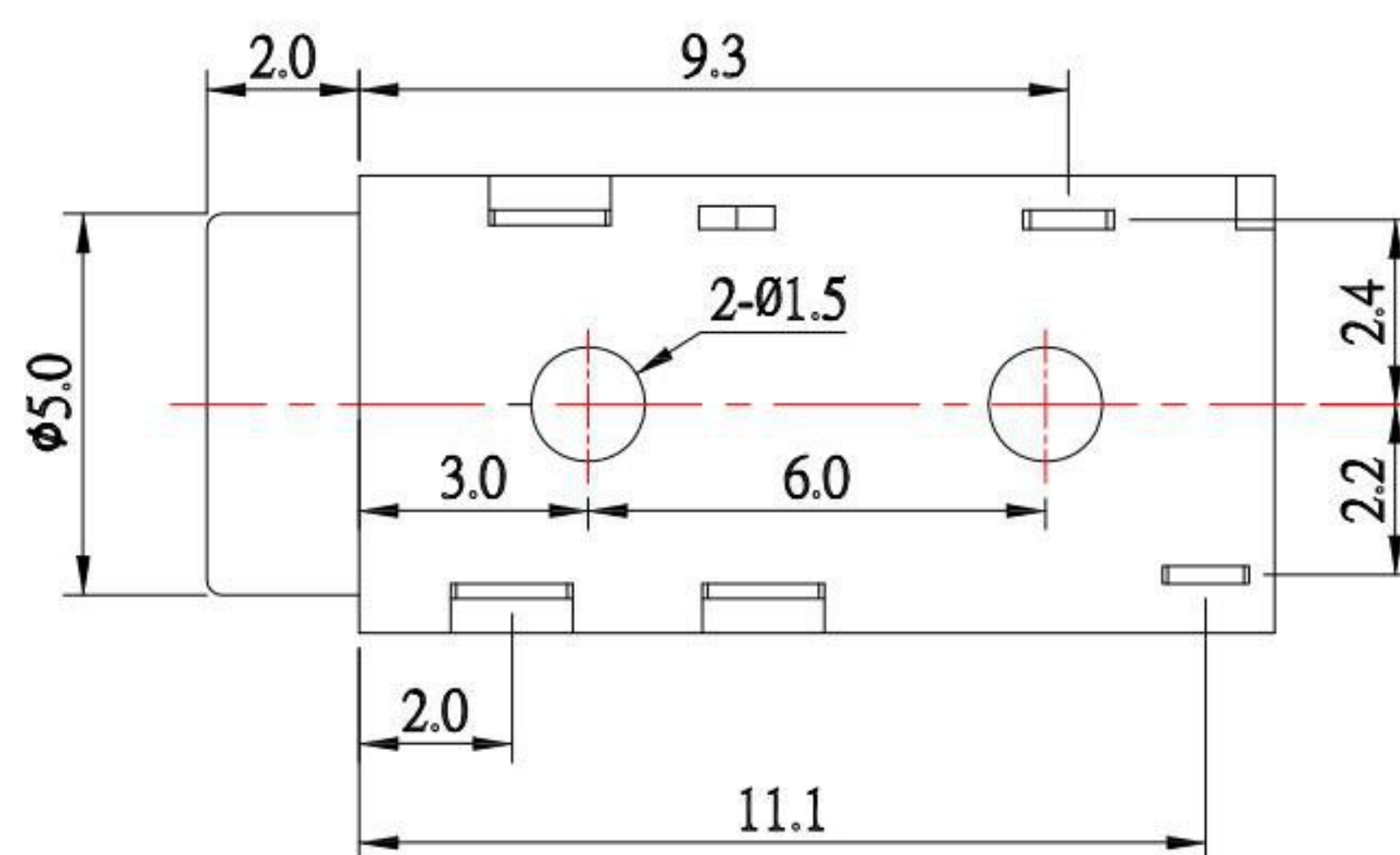
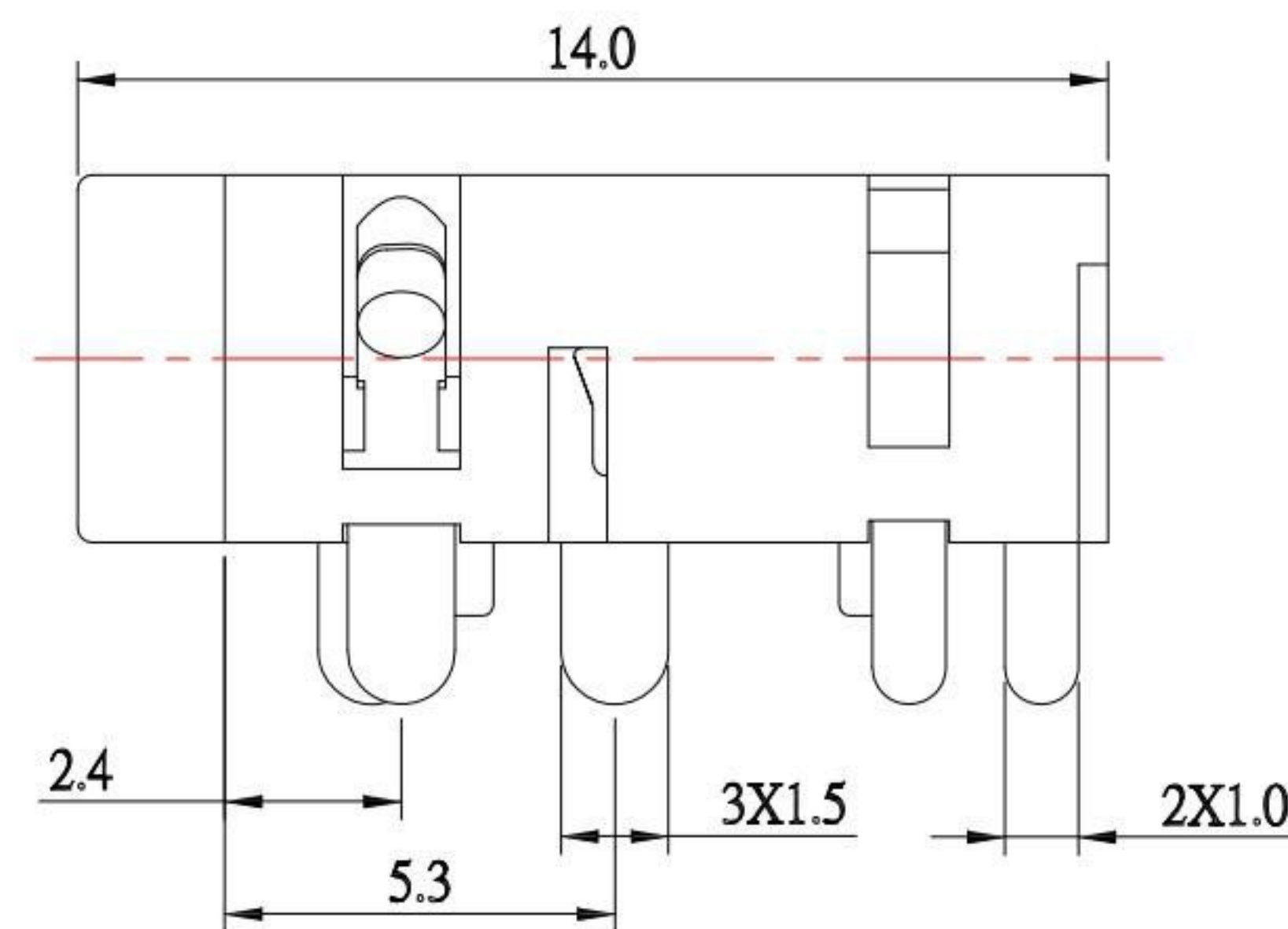
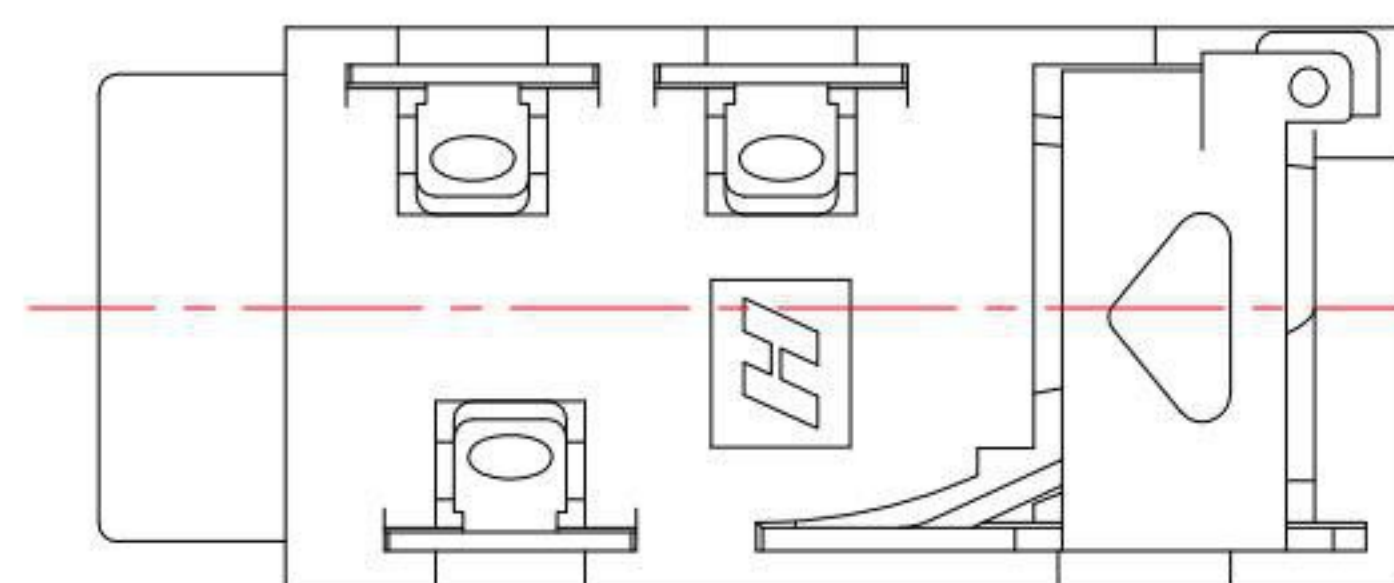


SCHEMATIC

PJ-D3027D	PJ-D3027D-1	PJ-D3027D-2



**P.C.B LAYOUT
TOP VIEW**

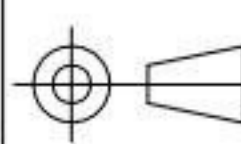
SPECIFICATIONS

1. Rating : DC 30V 0.5A ;
2. Contact resistance : $\leq 50m\Omega$;
3. Insulation resistance : $\geq 100M\Omega$ (DC250V) ;
4. Withstand voltage : 500VAC ;
5. Insertion and extraction force : 3-20N;
6. life test : 5,000 cycles °

KSD 科斯达电子科技有限公司
SWITCH CONNECTOR KSD ELECTRONIC TECHNOLOGY Co., LTD
全球 互联零组件制造企业

TOLERANCE UNLESS OTHERWISE STATED :
Up to 5 ±0.2
Above 5 ~ 15 ±0.3
Above 15 ~ 30 ±0.4
Above 30 ~ 50 ±0.5
Angle ±0.3°

3RD. ANGEL'S



UNITS MM

DRAWN BY: Jack Lu
DATE: 07/23/13
CHECKED BY: Jacky Chen
DATE: 07/23/13
APPROVED BY: Tony Kao
DATE: 07/23/13

MAT'L	TITLE	JACK
FINISH	MODLE	PHONE JACK
SCALE 1:1	DWG NO.	PJ-D3027D-S125
SHEET NO. 1 of 1	PART NO.	PJ-D3027D-S125

ITEM NO.	DESCRIPTION	DRAWN	DATE
1	更新Contact resistance	Jack	072313

SIZE A4
VER R1