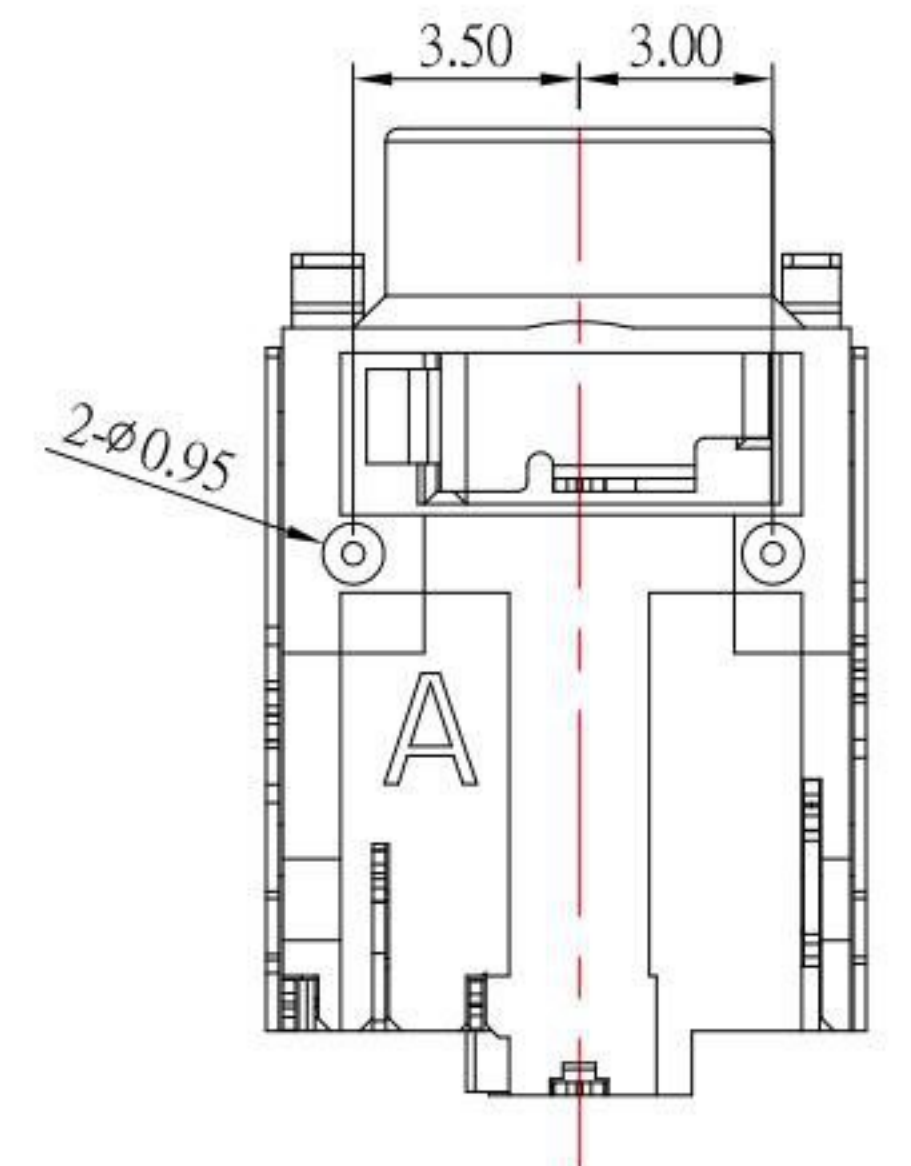
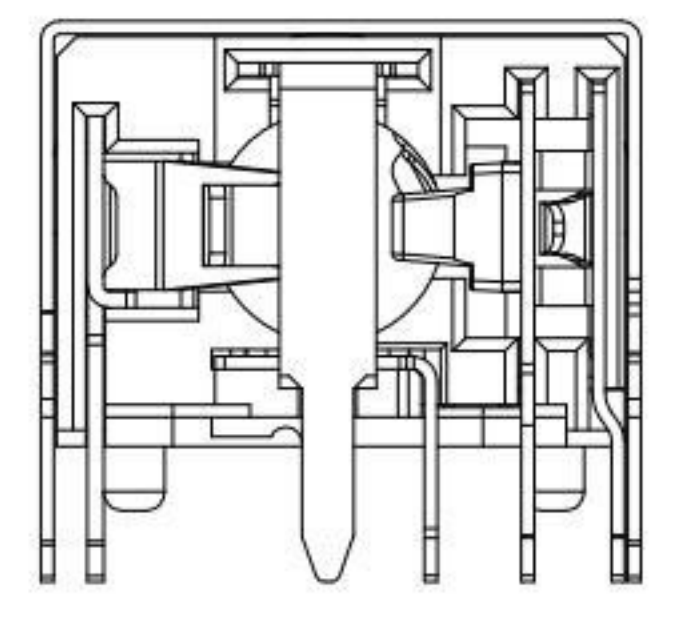
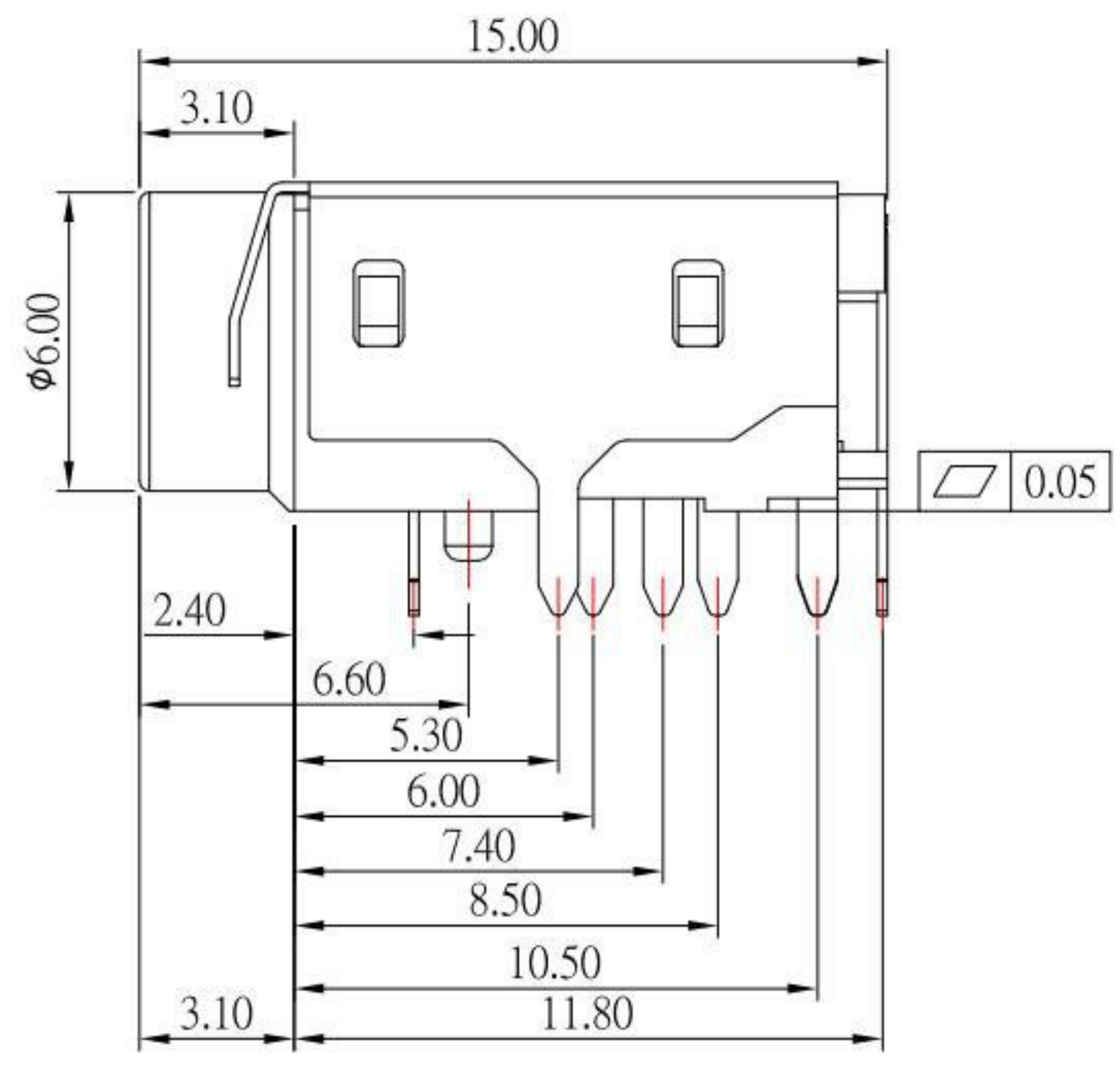
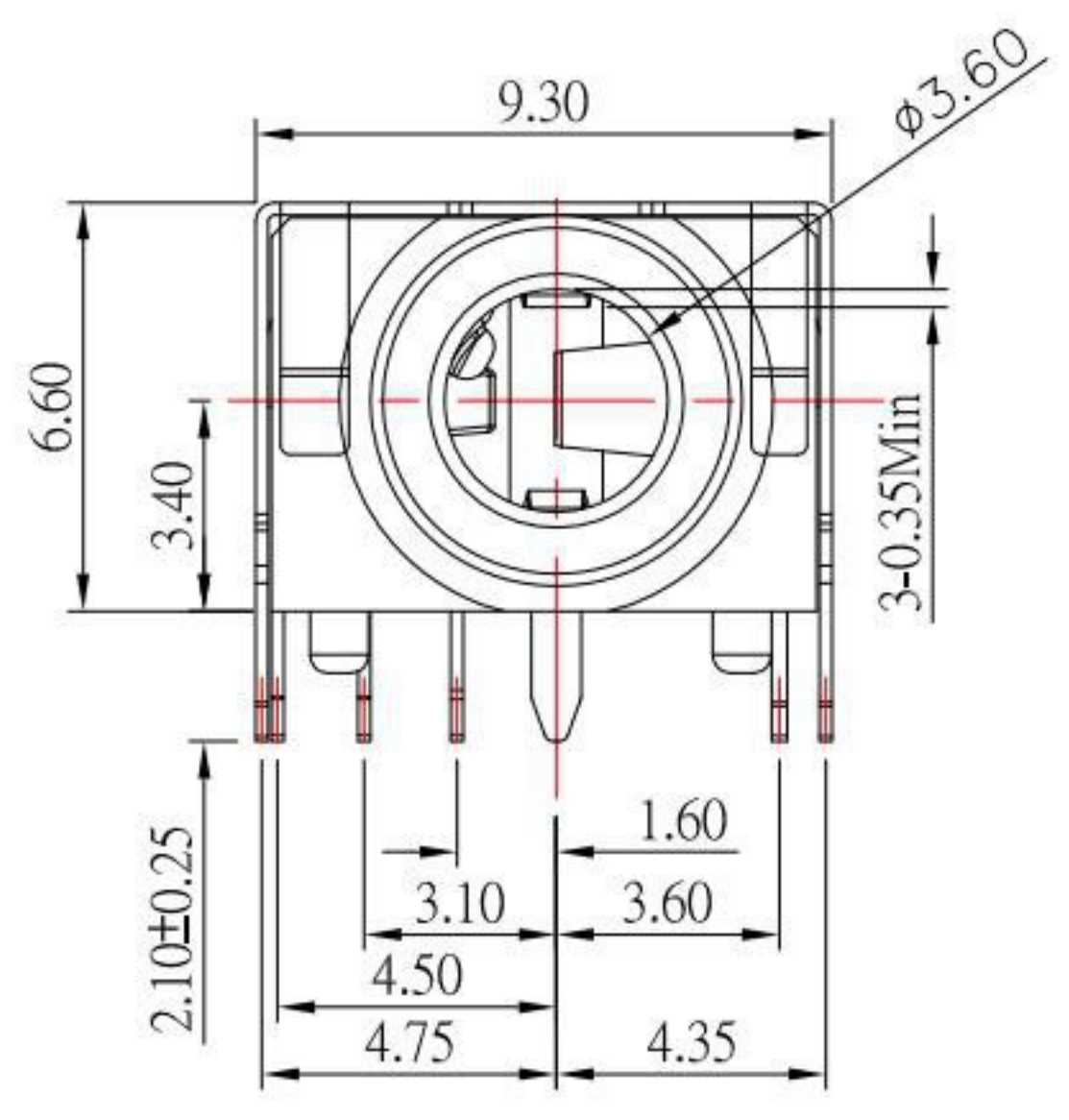


P.C.B LAYOUT  
TOP VIEW



SPECIFICATION

1. Rating : DC 30V, 0.5A
2. Contact resistance :  $\leq 30m\Omega$
3. Insulation resistance :  $\geq 100M\Omega$
4. Withstand voltage : 500VAC
5. Insertion and extraction force : 3-30N
6. life test : 5,000 cycles

NO.	DESCRIPTION	QTY	MATERIAL	PLATING
9	HOUSING	1	PA9T	Black
8	INSULATOR	1	PA9T	Black
7	SHELL	1	SUS	NI-Plating, Solder for Terminal Su
6	TERMINAL-6	1	COPPER ALLOY	Matte Sn-Plating
5	TERMINAL-5	1	COPPER ALLOY	Matte Sn-Plating
4	TERMINAL-4	1	COPPER ALLOY	Matte Sn-Plating
3	TERMINAL-3	1	COPPER ALLOY	Matte Sn-Plating
2	TERMINAL-2	1	COPPER ALLOY	Matte Sn-Plating
1	TERMINAL-1	1	COPPER ALLOY	Matte Sn-Plating

**KSD** 科斯达电子科技有限公司  
 SWITCH CONNECTOR KSD ELECTRONIC TECHNOLOGY Co., LTD  
 全球 互联零组件制造企业

TOLERANCE UNLESS OTHERWISE STATED :	Up to 5 ±0.2	Above 5 ~ 15 ±0.3	Above 15 ~ 30 ±0.4	Above 30 ~ 50 ±0.5	Angle ±0.3°
	3RD. ANGEL'S	UNITS	MM		

DRAWN BY:	DATE	MAT'L	TITLE	JACK
Jack Lu	02/21/20		MODLE	3.5 PHONE JACK
CHECKED BY:	DATE	FINISH	DWG NO.	PJ-D3035C-S214
Jacky Chen	02/21/20		PART NO.	PJ-D3035C-S214
APPROVED BY:	DATE	SCALE	1 : 1	
Tony Kao	02/21/20	SHEET NO.	1 of 1	

ITEM NO.	DESCRIPTION	DRAWN	DATE