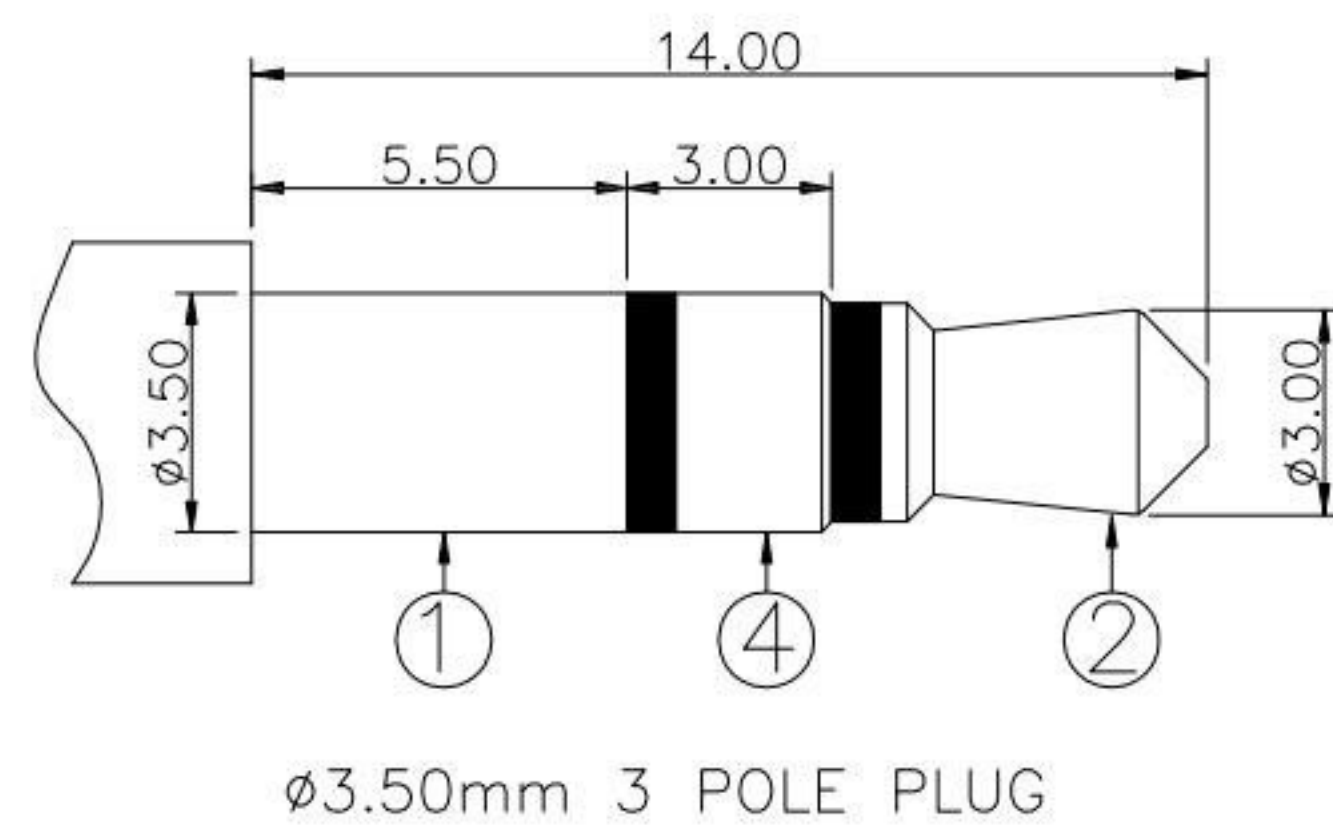
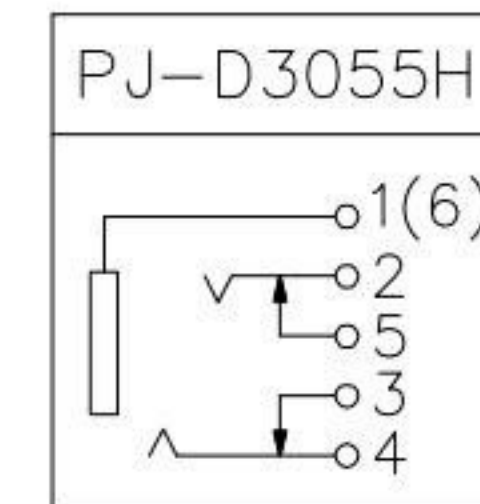


P.C.B LAYOUT
TOP VIEW

SCHEMATIC



SPECIFICATION

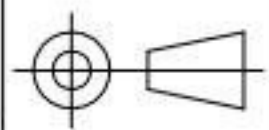
1. Rating : DC 30V, 0.5A
2. Contact resistance : $\leq 30m\Omega$
3. Insulation resistance : $\geq 100M\Omega$
4. Withstand voltage : 500VAC
5. Insertion and extraction force : 3-20N
6. life test : 5,000 cycles

NO.	DESCRIPTION	QTY	MATERIAL	PLATING
9	COAT	1	IRON	Ni-Plating
8	COVER	1	PBT	
7	HOUSING	1	PBT	
6	AXIS SUPPORT	1	BRASS	Ni-Plating
5	CURVE PIECE	1	BRASS	Sn-Plating
4	SPRING PIECE	1	PHOSPHOR BRONZE	Sn-Plating
3	CURVE PIECE	1	BRASS	Sn-Plating
2	SPRING PIECE	1	PHOSPHOR BRONZE	Sn-Plating
1	FLAT PIECE	1	BRASS	Sn-Plating

KSD 科斯达电子科技有限公司
SWITCH CONNECTOR KSD ELECTRONIC TECHNOLOGY Co., LTD
全球 互联零组件制造企业

TOLERANCE UNLESS OTHERWISE STATED :
Up to 5 ±0.2
Above 5 ~ 15 ±0.3
Above 15 ~ 30 ±0.4
Above 30 ~ 50 ±0.5
Angle ±0.3°

3RD. ANGEL'S



UNITS

MM

DRAWN BY:	DATE	MAT'L	TITLE	JACK
Jack Lu	09/24/19		MODLE	3.5 PHONE JACK
CHECKED BY:	DATE	FINISH	DWG NO.	PJ-D3055H-S124
Jacky Chen	09/24/19		PART NO.	PJ-D3055H-S124
APPROVED BY:	DATE	SCALE	SHEET NO.	1 of 1
Tony Kao	09/24/19	1 : 1		

ITEM NO.	DESCRIPTION	DRAWN	DATE
1	更新尺寸公差	Jack	092419

SIZE
A4
VER
R1