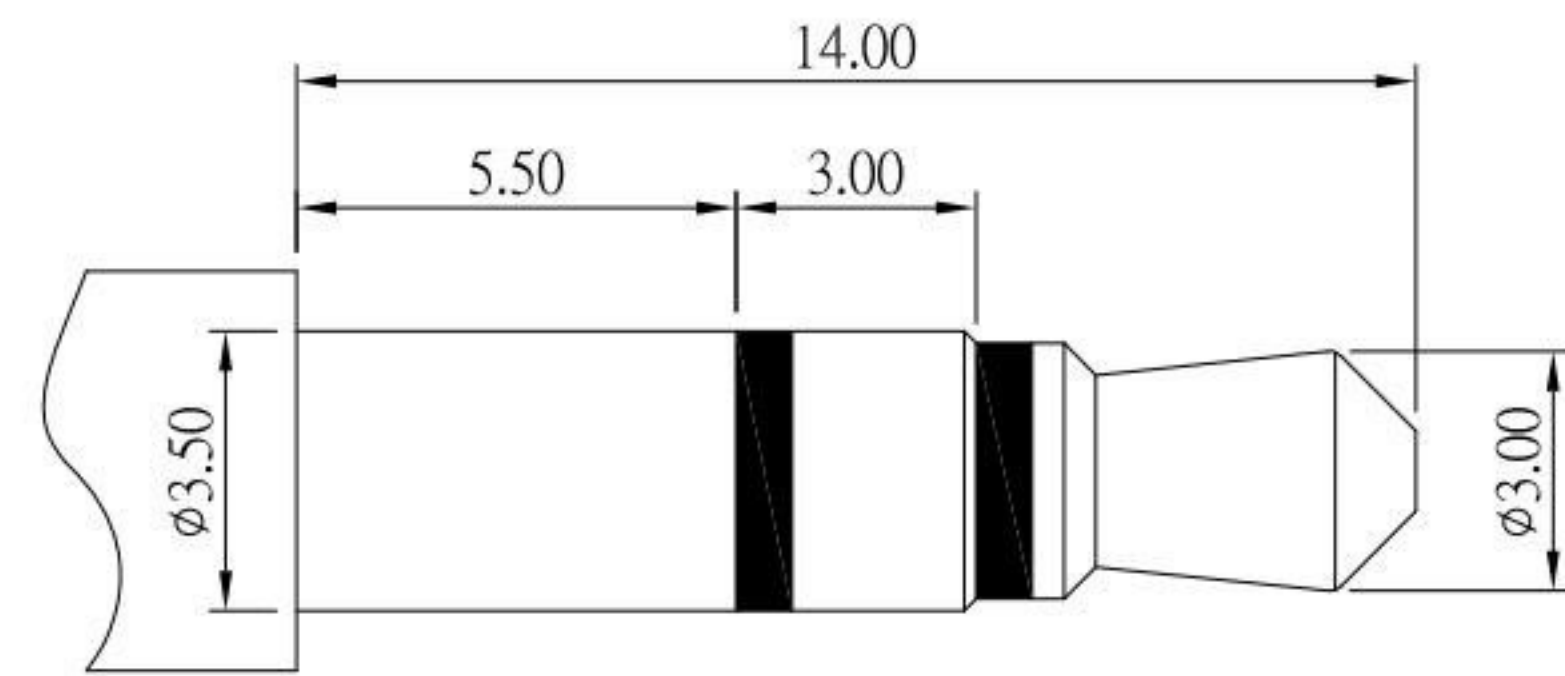
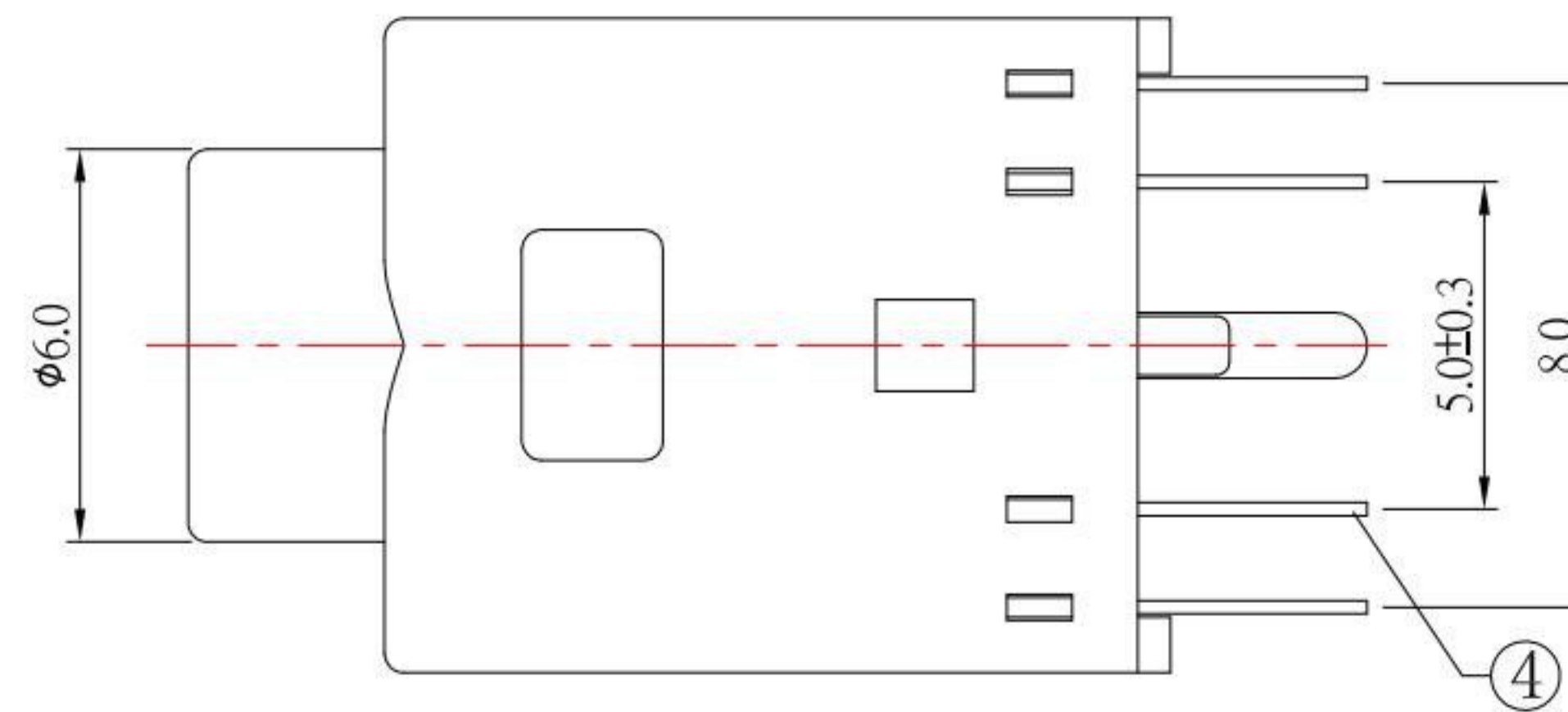


P.C.B LAYOUT
(TOP VIEW)



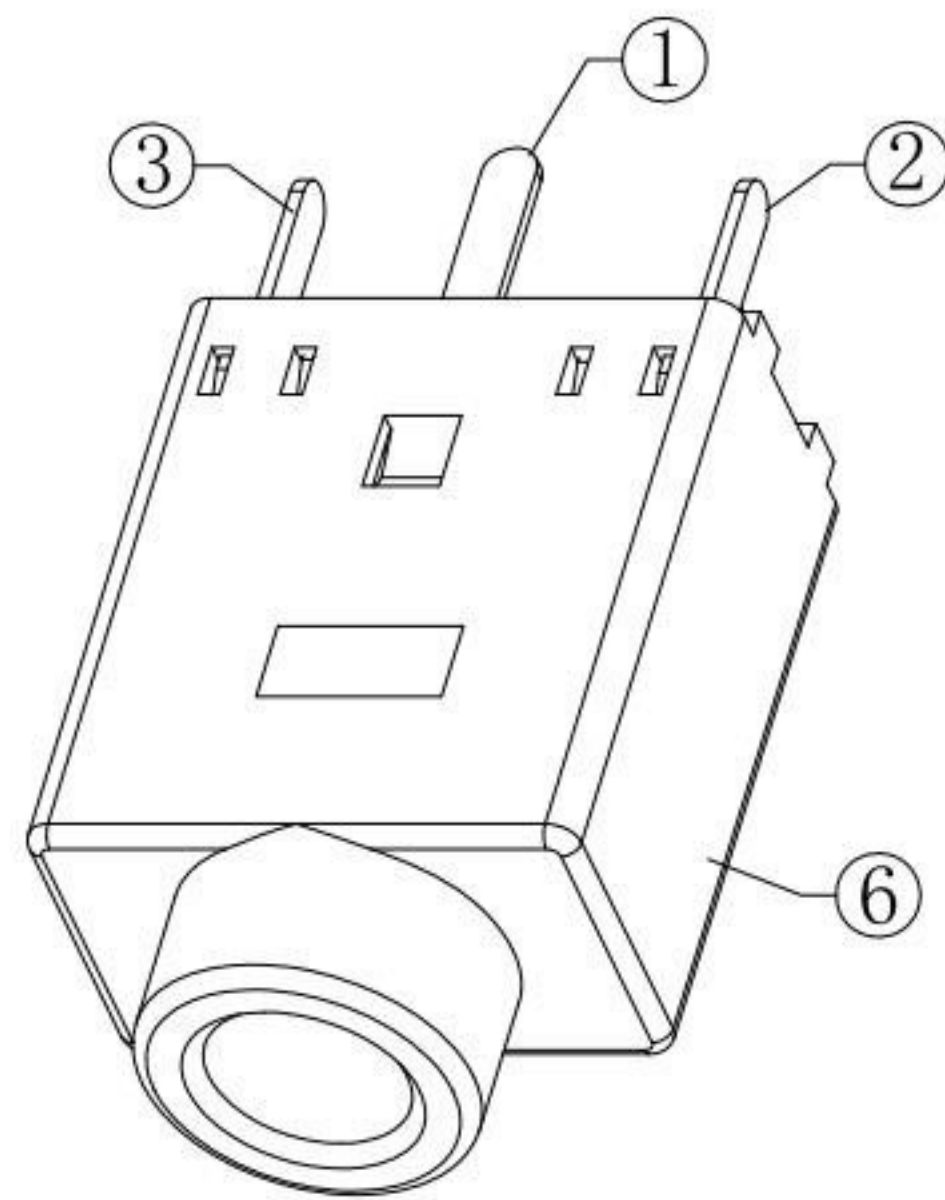
φ3.50mm 3 POLE PLUG



SCHEMATIC

SPECIFICATION

1. Rating : DC 30V 0.5A ;
2. Contact resistance : ≤30mΩ ;
3. Insulation resistance : ≥100MΩ ;
4. Withstand voltage : 500VAC ;
5. Insertion and extraction force : 3-20N;
6. life test : 5,000 cycles °



PJ-D3058	PJ-D3058-1	PJ-D3058-2	PJ-D3058-3

NO.	DESCRIPTION	QTY	MATERIAL	REMARK
6	HOUSING	1	PBT	
5	FLAT PIECE	1	Brass	Sn-Plating
4	FLAT PIECE	1	Brass	Sn-Plating
3	SPRING PIECE	1	Phosphor Bronze	Sn-Plating
2	SPRING PIECE	1	Phosphor Bronze	Sn-Plating
1	CONTACT FOOT	1	Phosphor Bronze	Sn-Plating

KSD 科斯达电子科技有限公司
SWITCH CONNECTOR KSD ELECTRONIC TECHNOLOGY Co., LTD
全球 互联零组件制造企业

TOLERANCE UNLESS OTHERWISE STATED :
Up to 5 ±0.2
Above 5 ~ 15 ±0.3
Above 15 ~ 30 ±0.4
Above 30 ~ 50 ±0.5
Angle ±0.3°

3RD. ANGEL'S

UNITS MM

DRAWN BY:	DATE	MATL	TITLE	JACK
Jack Lu	05/02/19	FINISH	MODLE	3.5mm PHONE JACK VERTICAL TYPE
CHECKED BY:	DATE	SCALE	DWG NO.	PJ-D3058-x-S124
Jacky Chen	05/02/19	1 : 1	PART NO.	PJ-D3058-x-S124
APPROVED BY:	DATE	SHEET NO.	1 of 1	
Tony Kao	05/02/19			

ITEM NO.	DESCRIPTION	DRAWN	DATE
1	更新樣式	Jack	050219