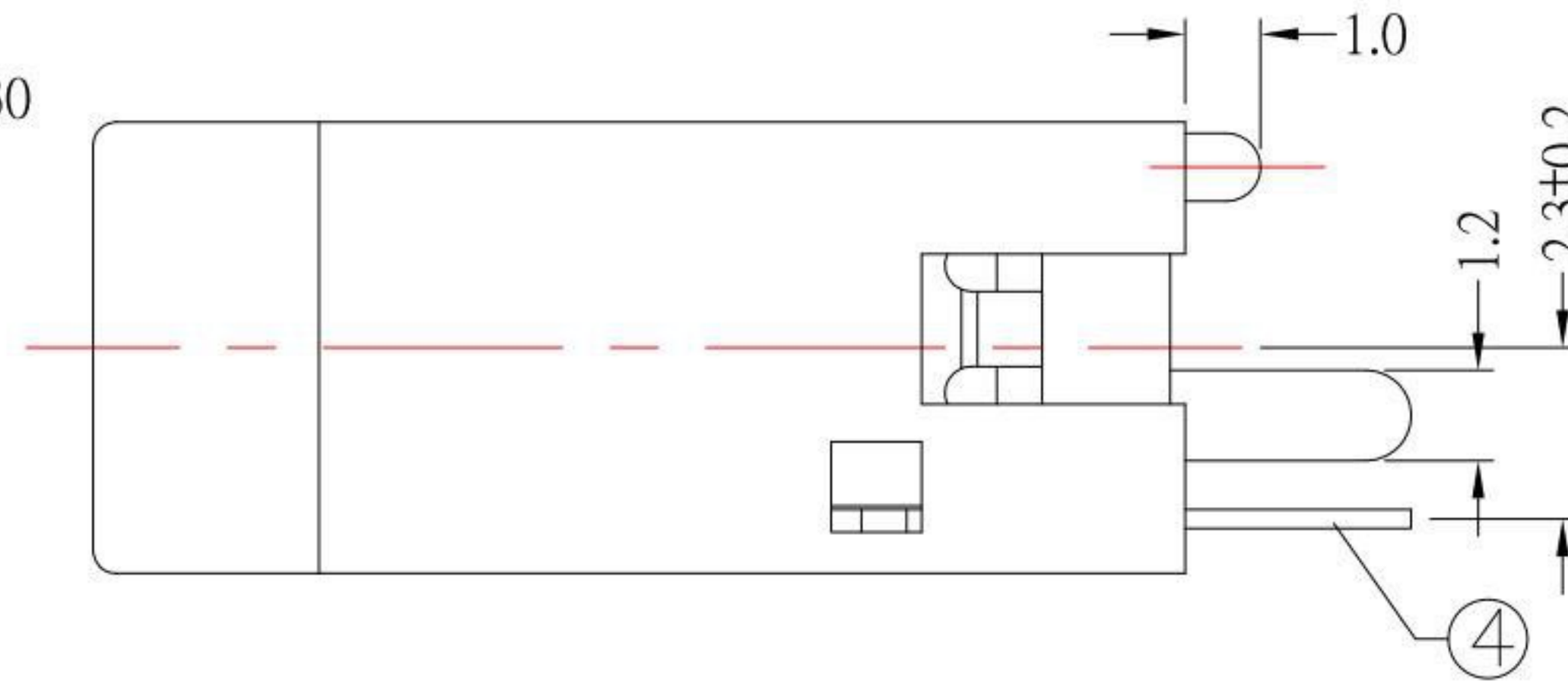
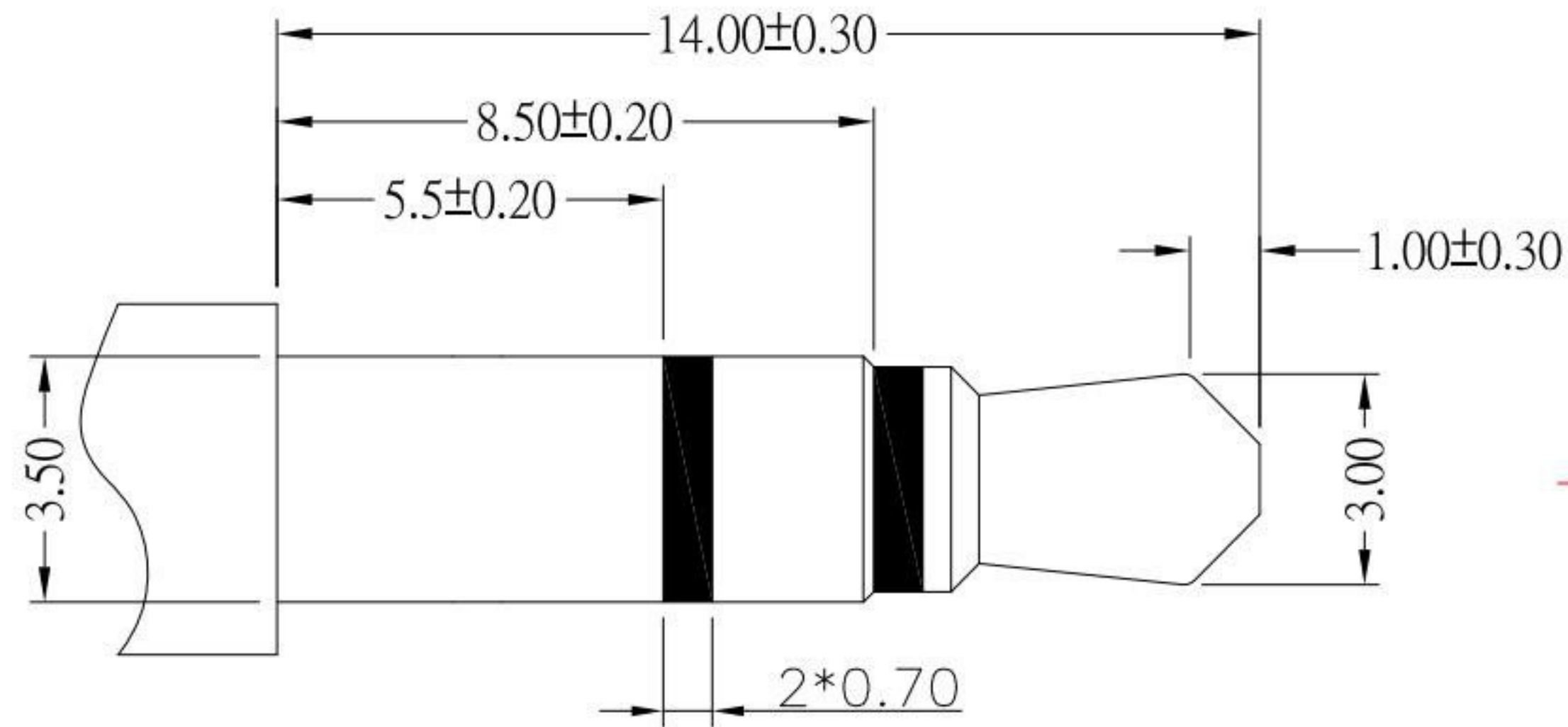


P.C.B LAYOUT MOUNTING PATTERN (TOP VIEW)

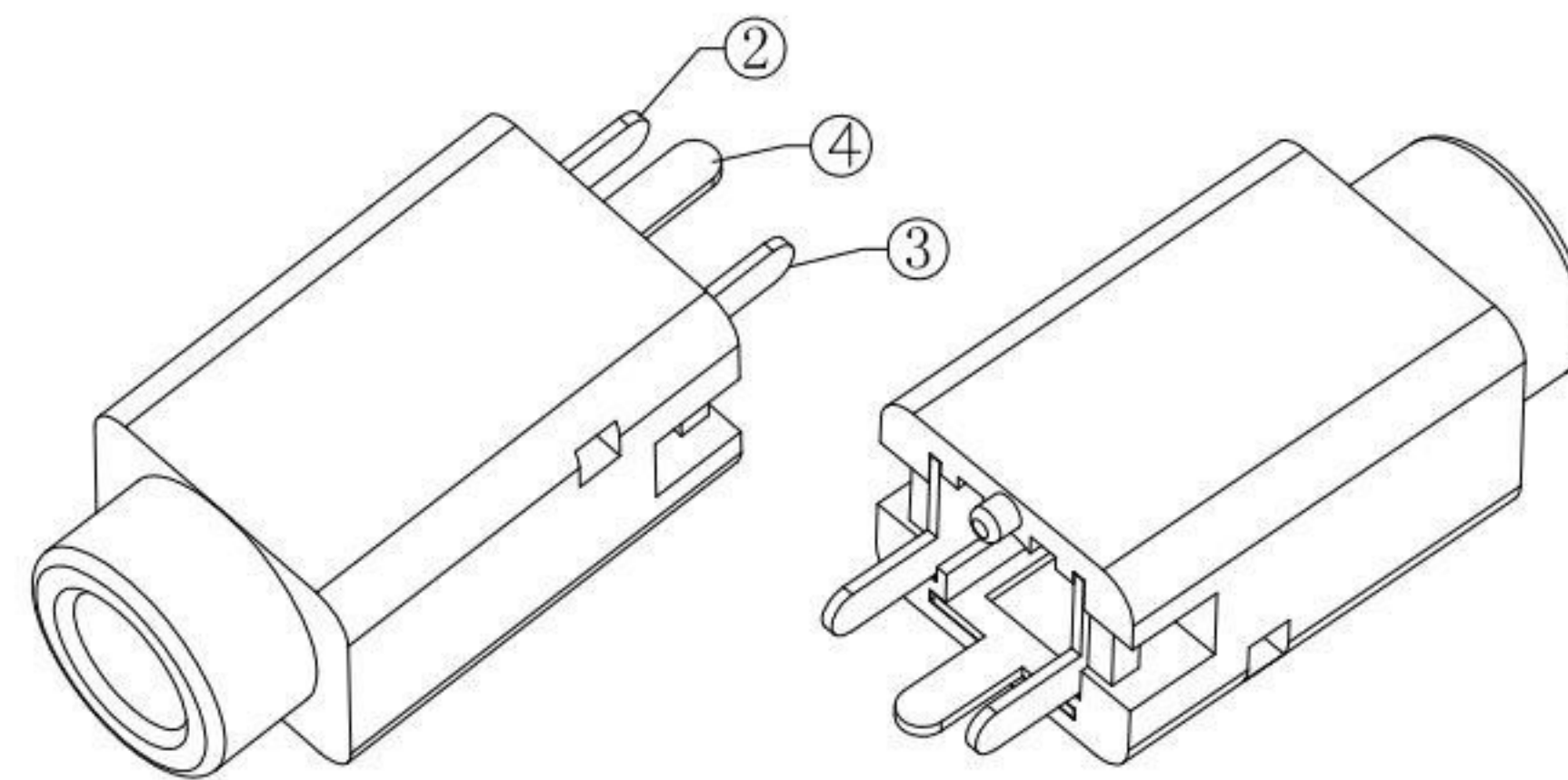
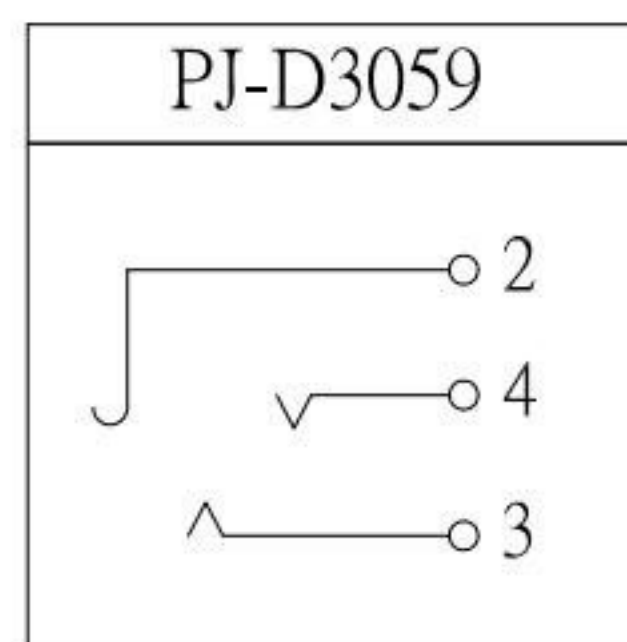


Ø3.50mm 3 POLE PLUG

SPECIFICATION

1. Rating : DC 30V 0.5A ;
2. Contact resistance : $\leq 30m\Omega$;
3. Insulation resistance : $\geq 100M\Omega$;
4. Withstand voltage : 500VAC ;
5. Insertion and extraction force : 3-20N
6. life test : 5,000 cycles °

SCHEMATIC



4	CONTACT FOOT	1	Phosphor Bronze	Ag-Plated
3	CONTACT FOOT	1	Phosphor Bronze	Ag-Plated
2	CONTACT FOOT	1	Phosphor Bronze	Ag-Plated
1	HOUSING	1	PBT	
NO.	DESCRIPTION	QTY	MATERIAL	REMARK

KSD 科斯达电子科技有限公司
 SWITCH CONNECTOR KSD ELECTRONIC TECHNOLOGY Co., LTD
 全球 互联零组件制造企业

TOLERANCE UNLESS OTHERWISE STATED :
 Up to 5 ±0.2
 Above 5 ~ 15 ±0.3
 Above 15 ~ 30 ±0.4
 Above 30 ~ 50 ±0.5
 Angle ±0.3°

3RD. ANGEL'S

UNITS MM

DRAWN BY:	DATE	MAT'L	TITLE	JACK
Jack Lu	06/19/17			
CHECKED BY:	DATE	FINISH	MODLE	PHONE JACK
Jacky Chen	06/19/17			
APPROVED BY:	DATE	SCALE	DWG NO.	PJ-D3059-S124
Tony Kao	06/19/17	1 : 1		
		SHEET NO.	PART NO.	PJ-D3059-S124
		1 of 1		

ITEM NO.	DESCRIPTION	DRAWN	DATE