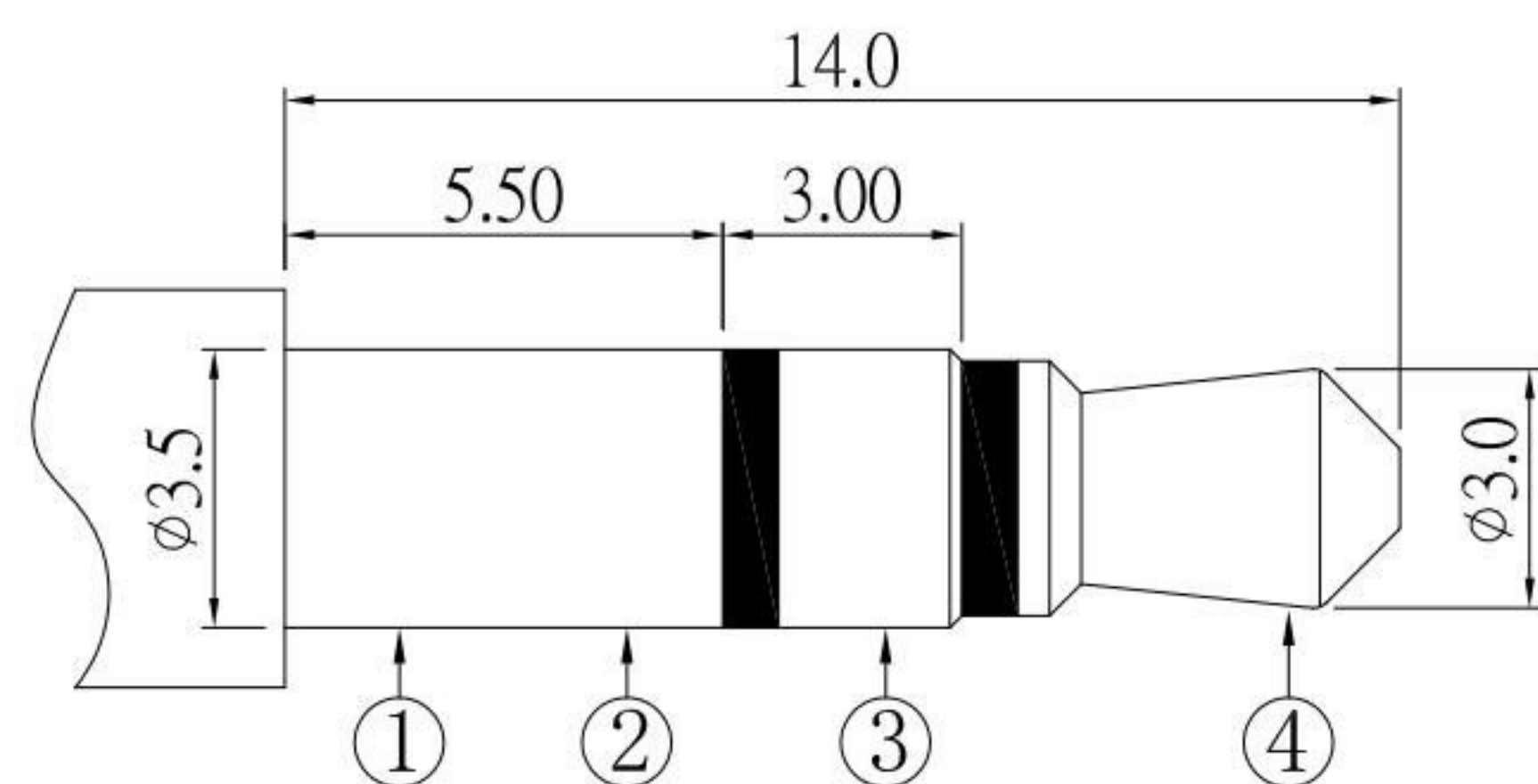
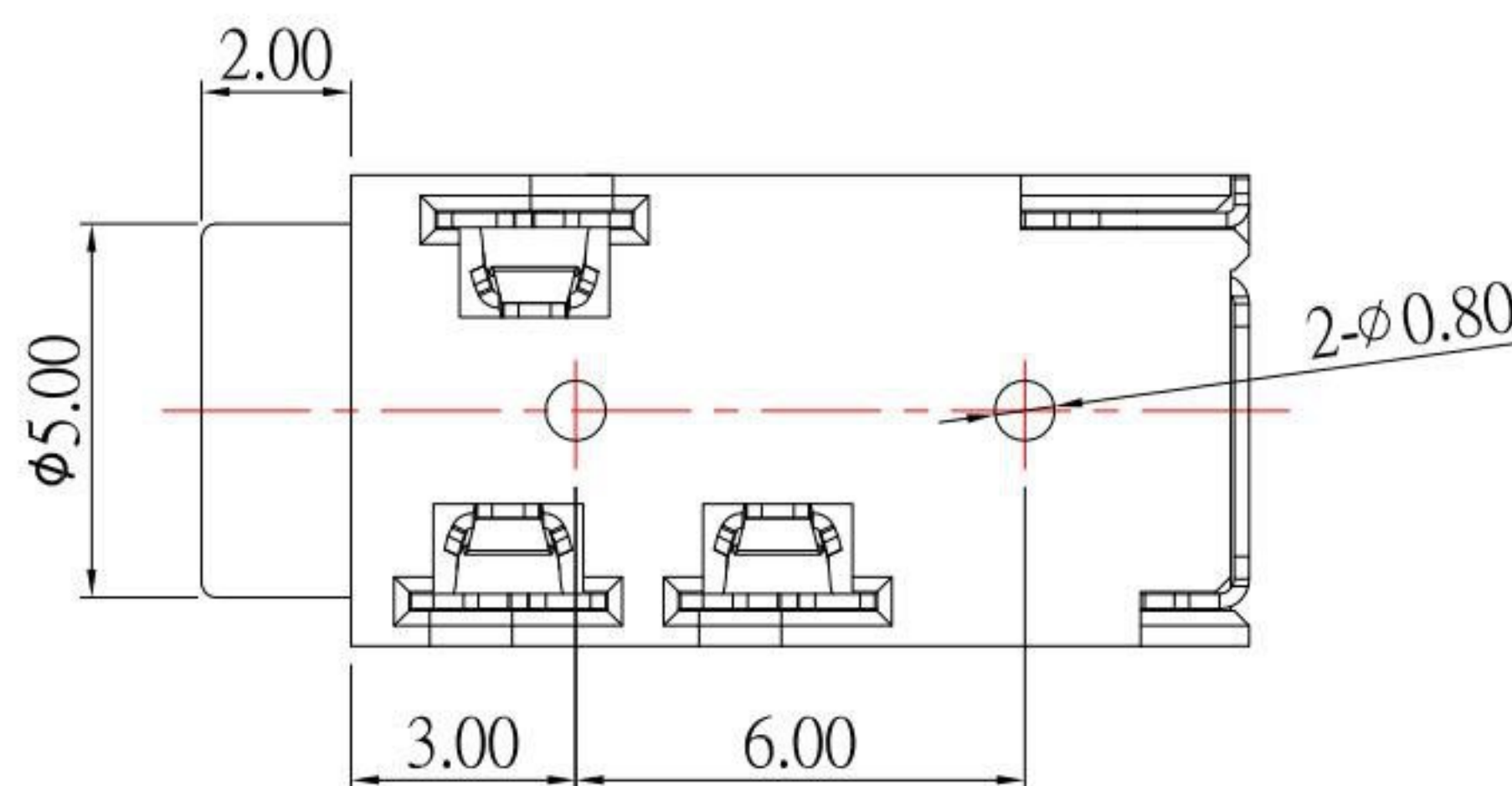


P.C.B LAYOUT  
TOP VIEW



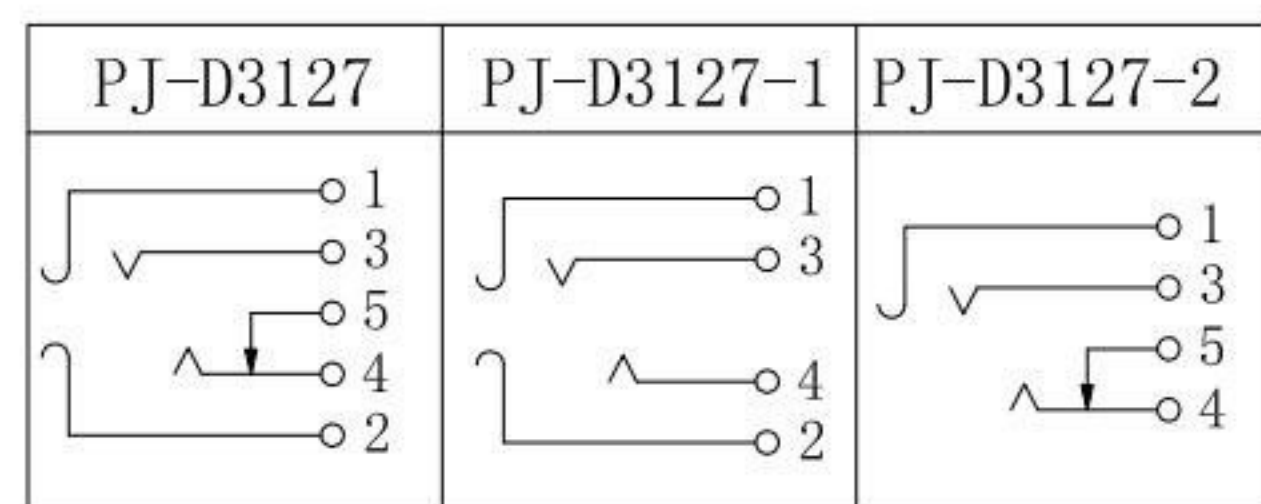
Ø3.50mm 3 POLE PLUG



**SPECIFICATION**

- 1.Rating : DC 30V 0.5A ;
- 2.Contact resistance :  $\leq 30m\Omega$  ;
- 3.Insulation resistance :  $\geq 100M\Omega$  ;
- 4.Withstand voltage : 500VAC ;
- 5.Insertion and extraction force : 3-30N;
- 6.life test : 5,000 cycles °

**SCHEMATIC**



6	HOUSING	1	PA9T	
5	5# CONTACT FOOT	1	PHOSPHOR BRONZE	Ag-Plating
4	4# CONTACT FOOT	1	PHOSPHOR BRONZE	Ag-Plating
3	3# CONTACT FOOT	1	PHOSPHOR BRONZE	Ag-Plating
2	2# CONTACT FOOT	1	PHOSPHOR BRONZE	Ag-Plating
1	1# CONTACT FOOT	1	PHOSPHOR BRONZE	Ag-Plating
No	PART NAME	QTY	MATERIAL	REMARK

**KSD** 科斯达电子科技有限公司  
SWITCH CONNECTOR KSD ELECTRONIC TECHNOLOGY Co., LTD  
全球 互联零组件制造企业

TOLERANCE UNLESS OTHERWISE STATED :  
Up to 5 ±0.2  
Above 5 ~ 15 ±0.3  
Above 15 ~ 30 ±0.4  
Above 30 ~ 50 ±0.5  
Angle ±0.3°

3RD. ANGEL'S

UNITS MM

DRAWN BY:	DATE	MAT'L	TITLE	JACK
Jack Lu	10/31/22			
CHECKED BY:	DATE	FINISH	MODLE	PHONE JACK
Jacky Chen	10/31/22			
APPROVED BY:	DATE	SCALE	DWG NO.	PJ-D3127-x-S124
Tony Kao	10/31/22	1 : 1		
SHEET NO.	1 of 1	PART NO.	PJ-D3127-x-S124	

2	更新圖面	Jack	103122
1	更新為A0版	Jack	090117
ITEM NO.	DESCRIPTION	DRAWN	DATE

SIZE A4  
VER R2