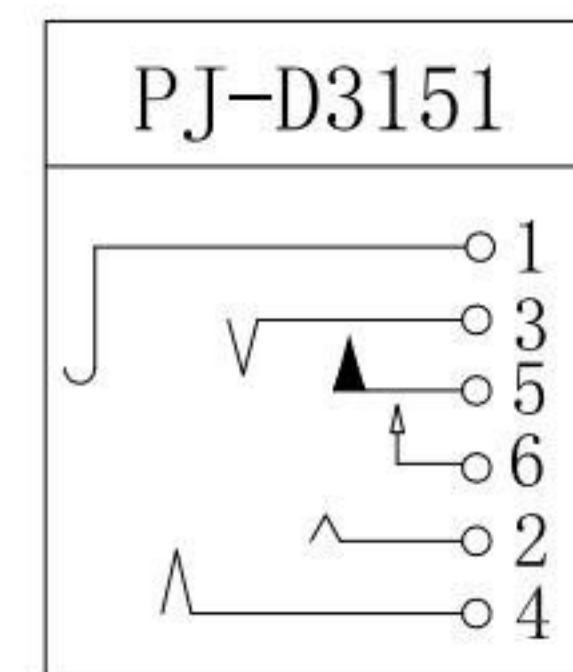


P.C.B LAYOUT
TOP VIEW

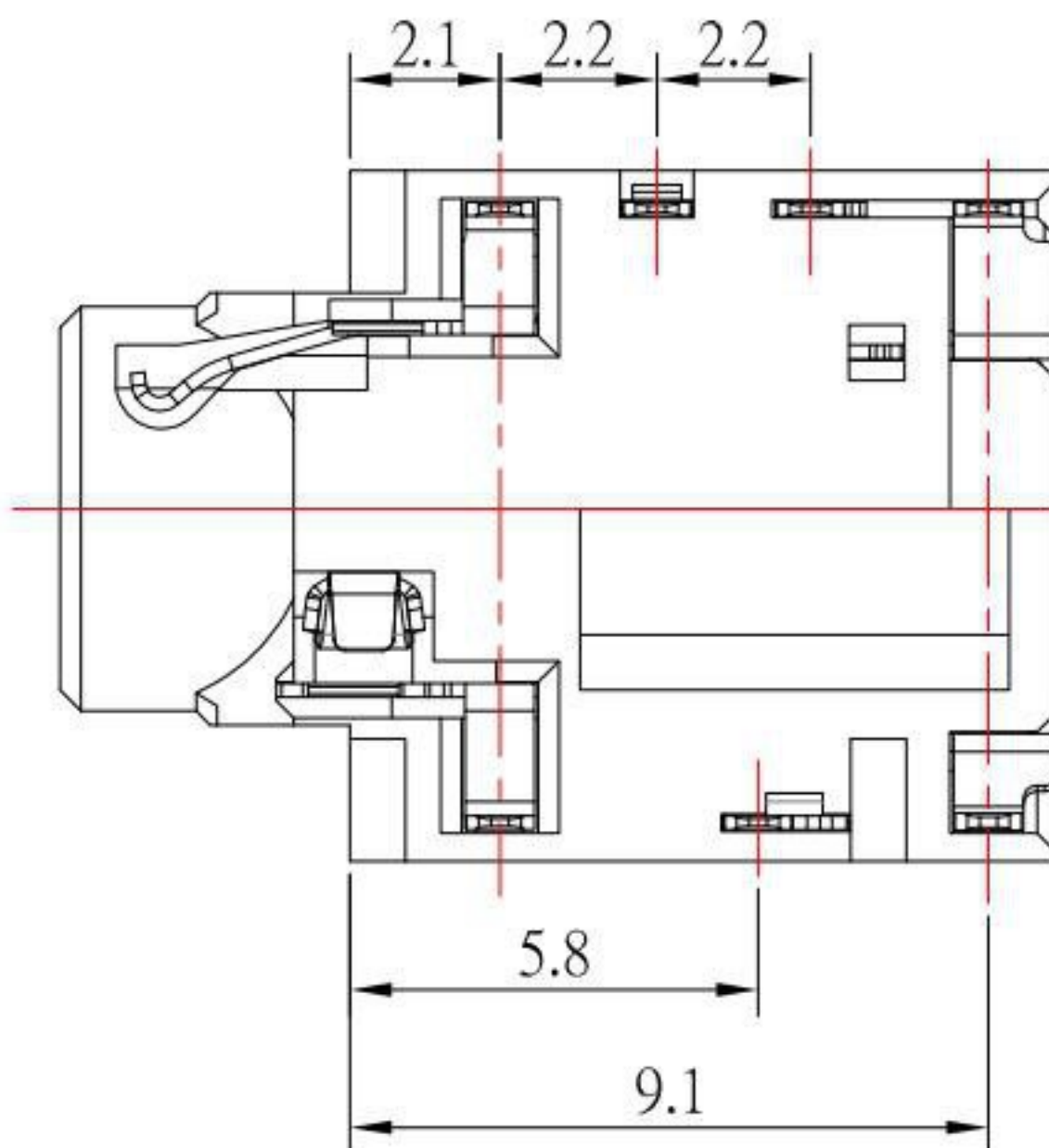
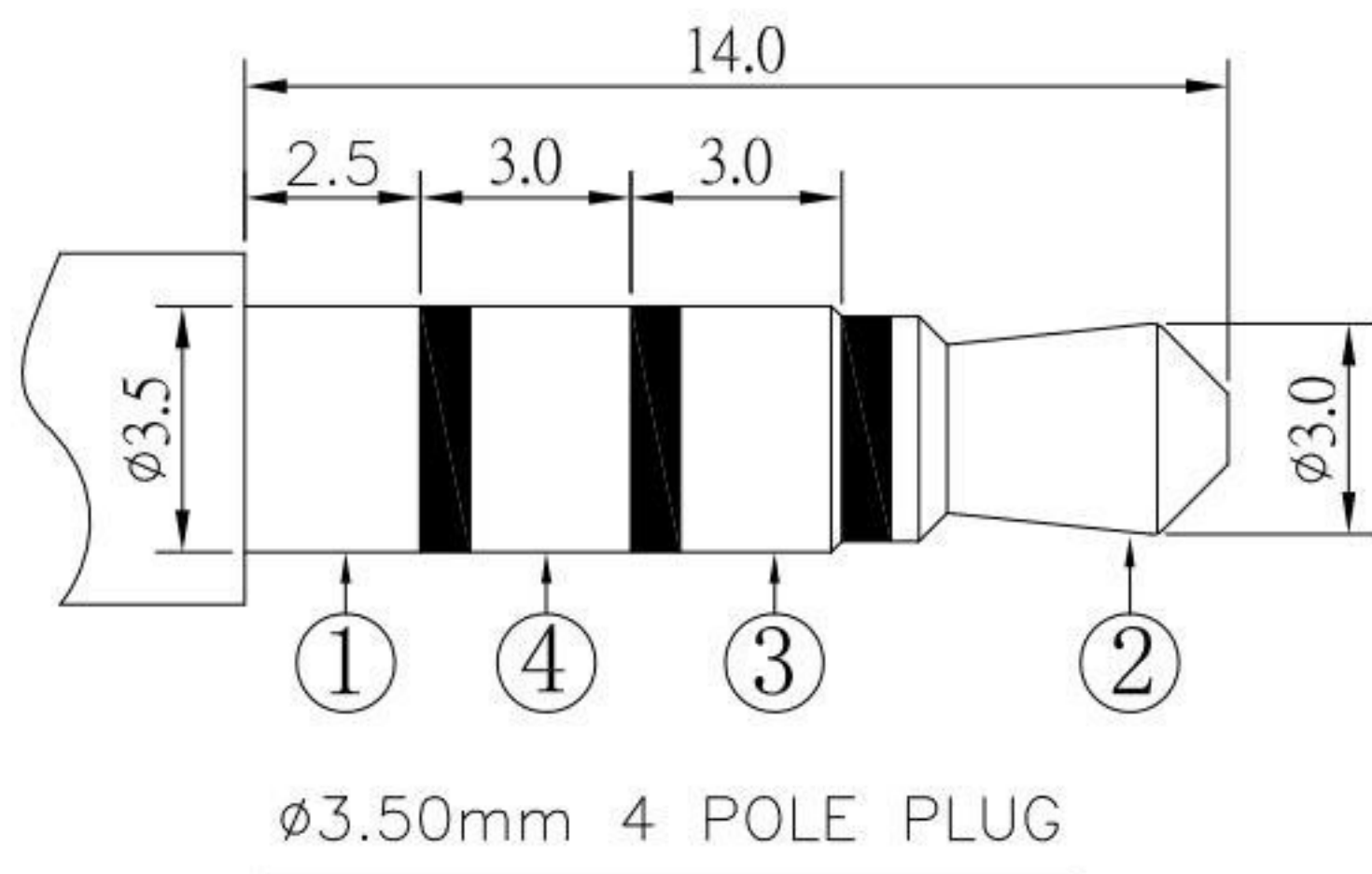
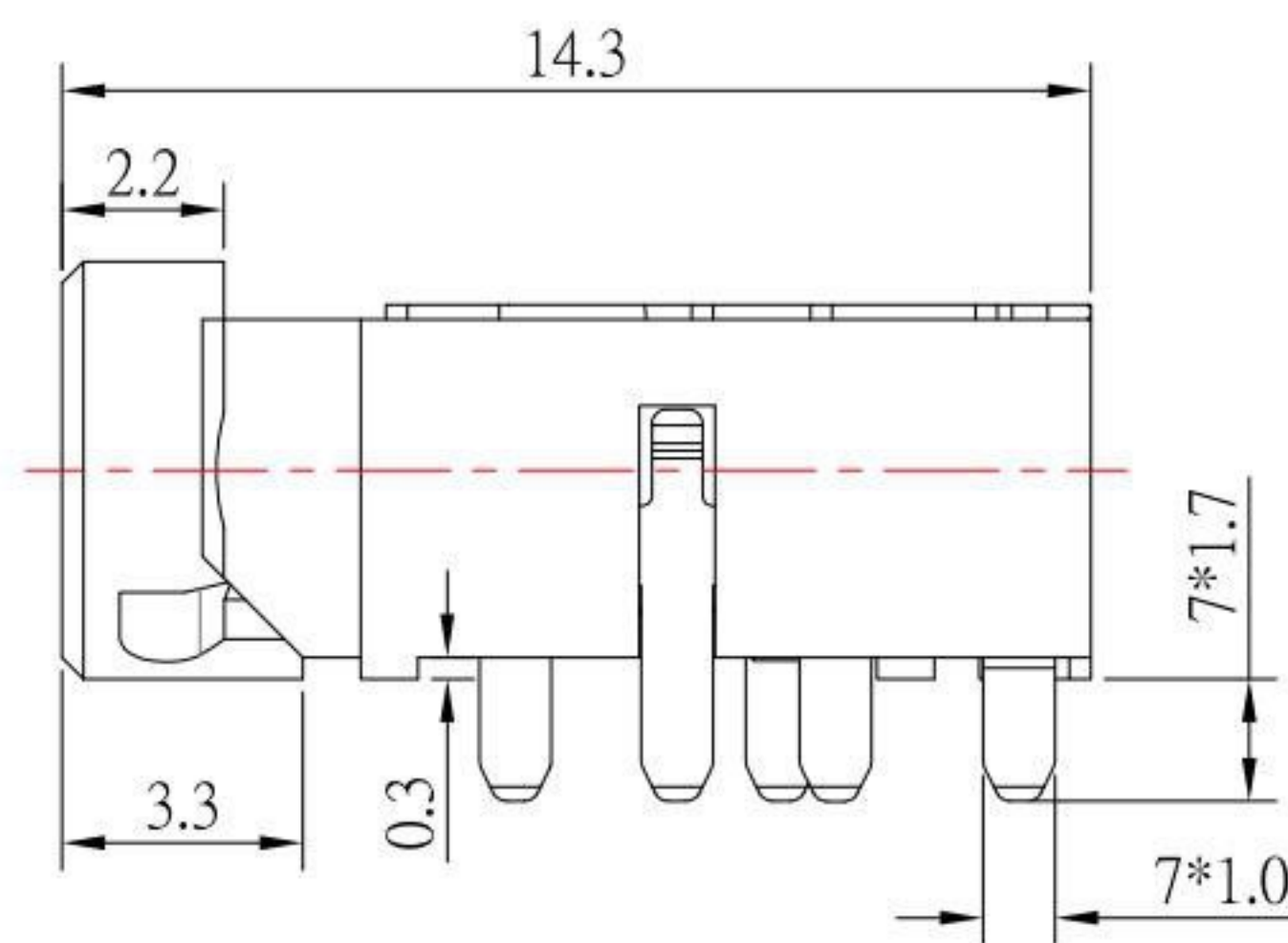
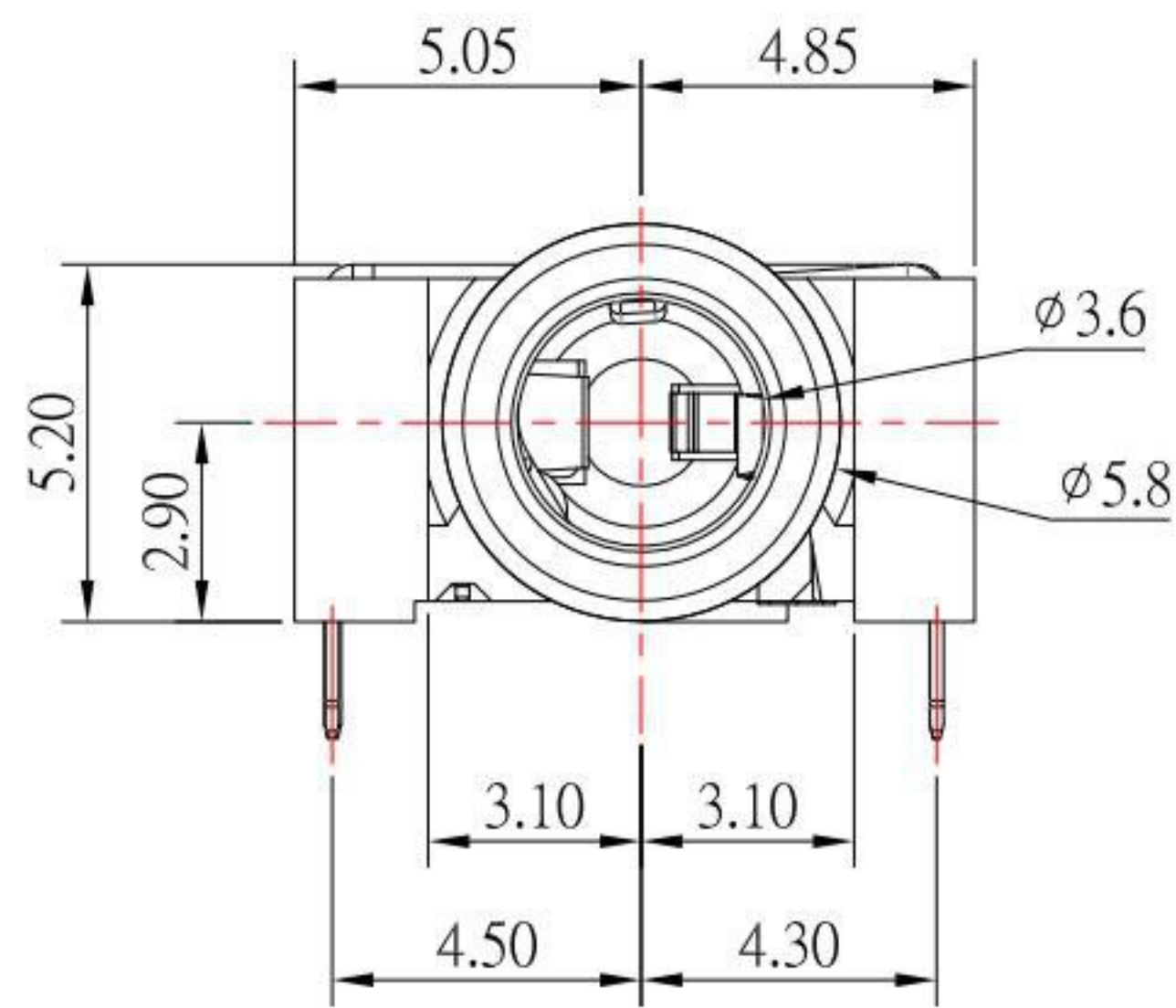
SCHEMATIC



SPECIFICATION

1. Rating : DC 30V, 1.0A ;
2. Contact resistance : $\leq 30m\Omega$;
3. Insulation resistance : $\geq 100M\Omega$;
4. Withstand voltage : 500VAC ;
5. Insertion and extraction force : 3-30N;
6. life test : 5,000 cycles °

No	PART NAME	QTY	MATERIAL	REMARK
9	HOUSING	1	PA9T	
8	INSULATOR	1	PA9T	
7	SHELL	1	SUS	Ni-Plating
6	CONTACT FOOT	1	PHOSPHOR BRONZE	Au-Plating
5	CONTACT FOOT	1	PHOSPHOR BRONZE	Au-Plating
4	CONTACT FOOT	1	PHOSPHOR BRONZE	Au-Plating
3	CONTACT FOOT	1	PHOSPHOR BRONZE	Au-Plating
2	CONTACT FOOT	1	PHOSPHOR BRONZE	Au-Plating
1	CONTACT FOOT	1	PHOSPHOR BRONZE	Au-Plating



KSD 科斯达电子科技有限公司
SWITCH CONNECTOR KSD ELECTRONIC TECHNOLOGY Co., LTD
全球 互联零组件制造企业

TOLERANCE UNLESS OTHERWISE STATED:
Up to 5 ±0.2
Above 5 ~ 15 ±0.3
Above 15 ~ 30 ±0.4
Above 30 ~ 50 ±0.5
Angle ±0.3°

3RD. ANGEL'S

UNITS MM

DRAWN BY:	DATE	MAT'L	TITLE	JACK
Jack Lu	08/10/20		MODLE	PHONE JACK
CHECKED BY:	DATE	FINISH	DWG NO.	PJ-D3151-S124
Jacky Chen	08/10/20		PART NO.	PJ-D3151-S124
APPROVED BY:	DATE	SCALE	1:1	
Tony Kao	08/10/20	SHEET NO.	1 of 1	

ITEM NO.	DESCRIPTION	DRAWN	DATE