

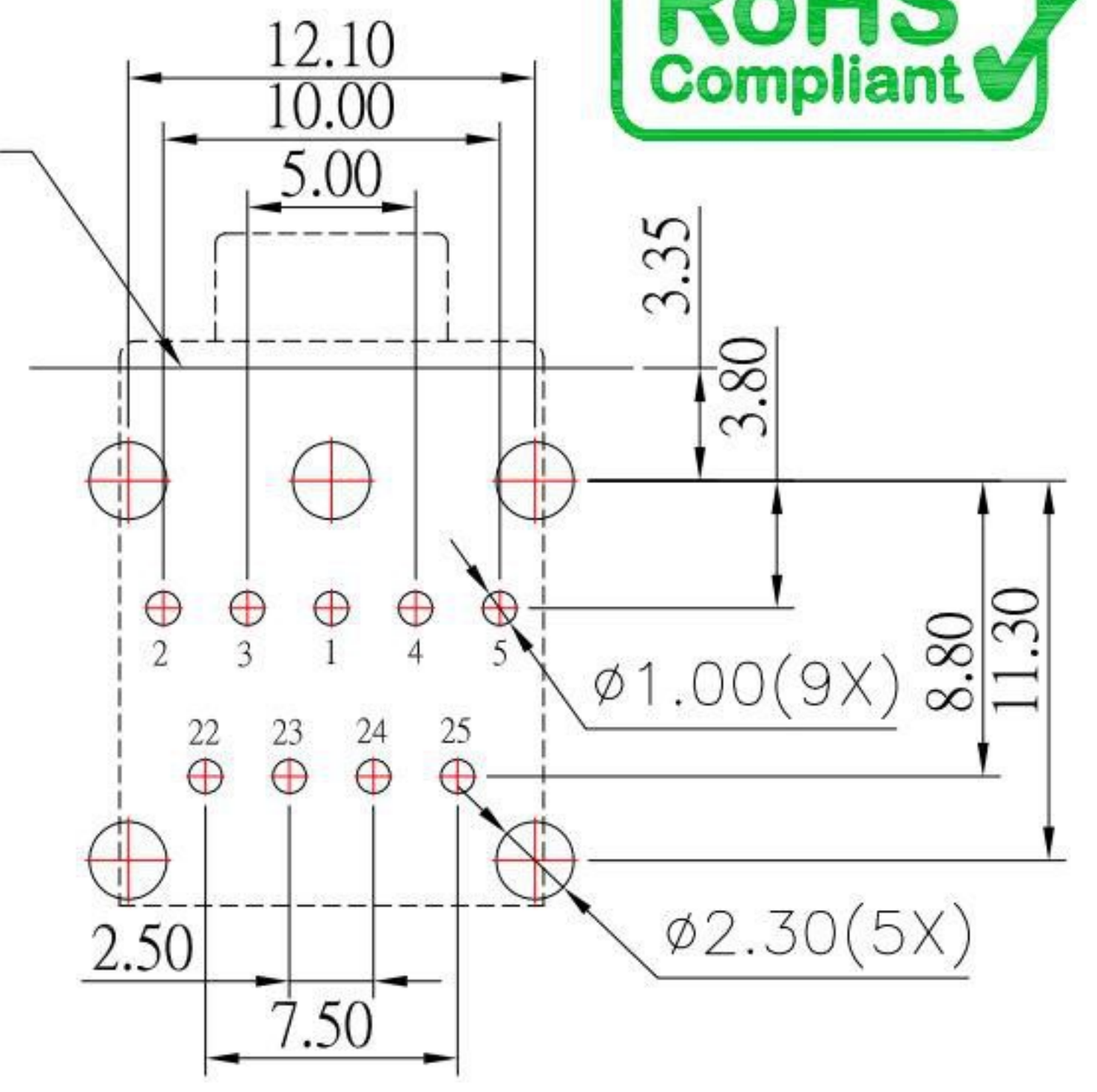
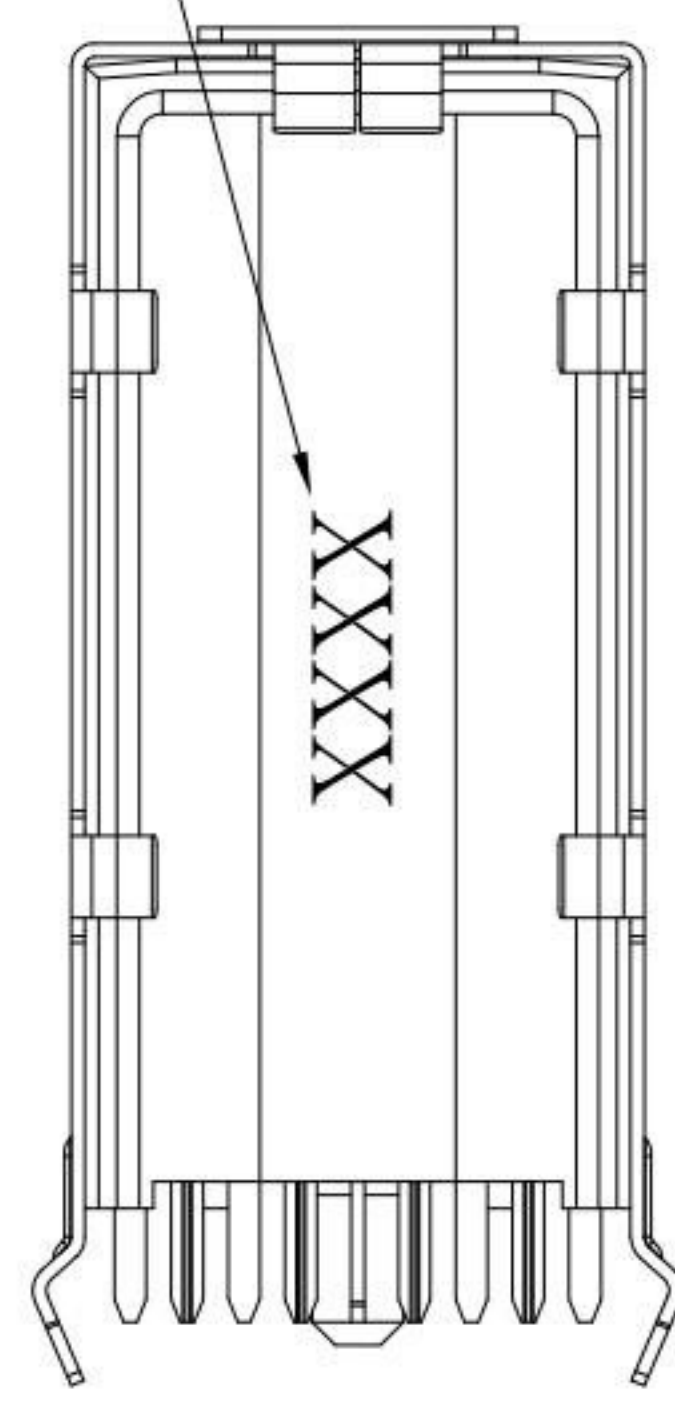


PJ-D343A-xx-S214

PLASTIC BUSHING COLOR

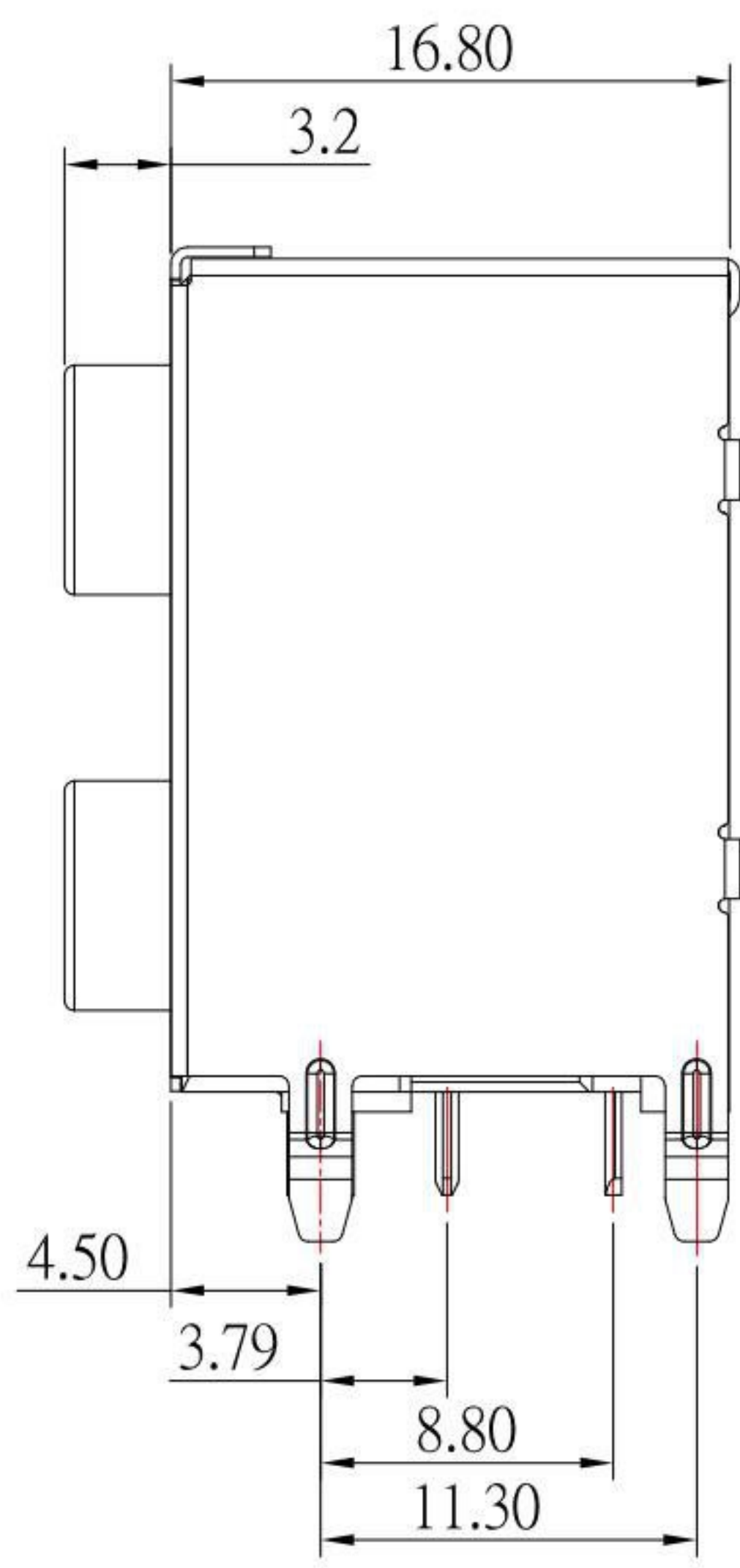
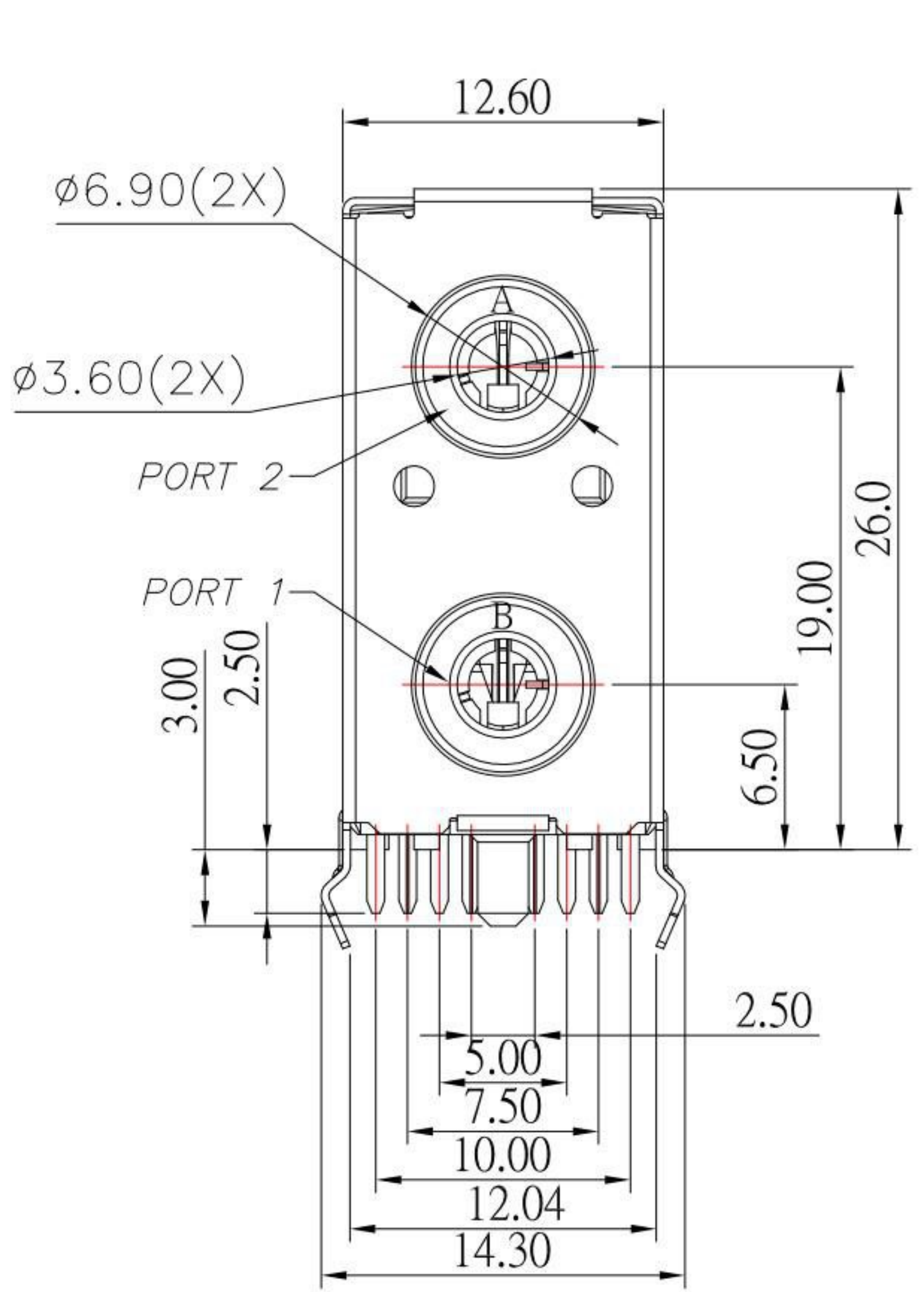
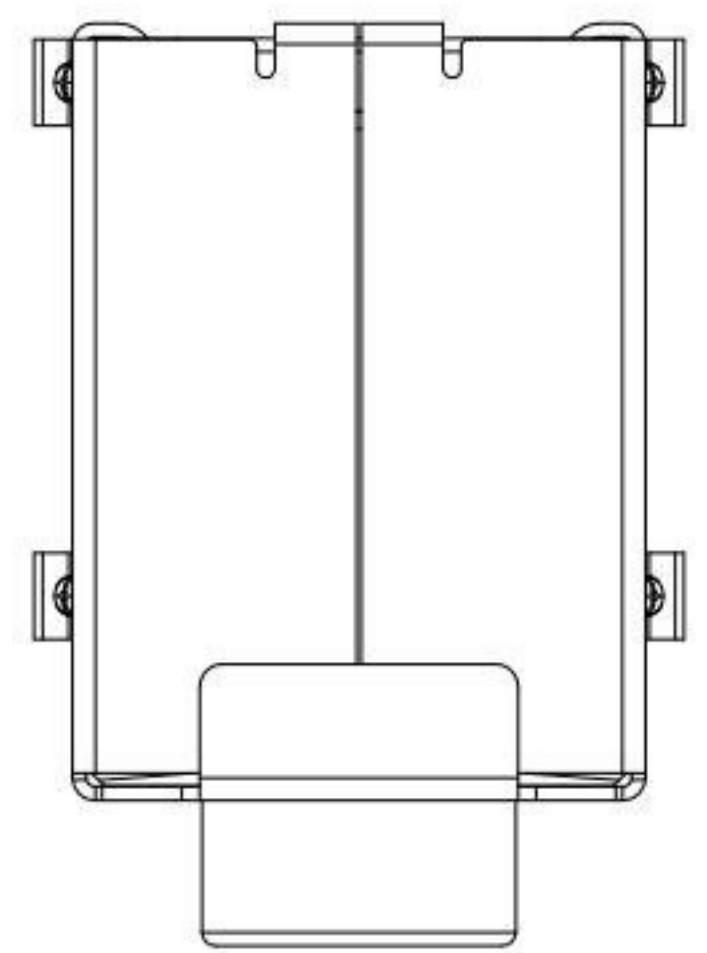
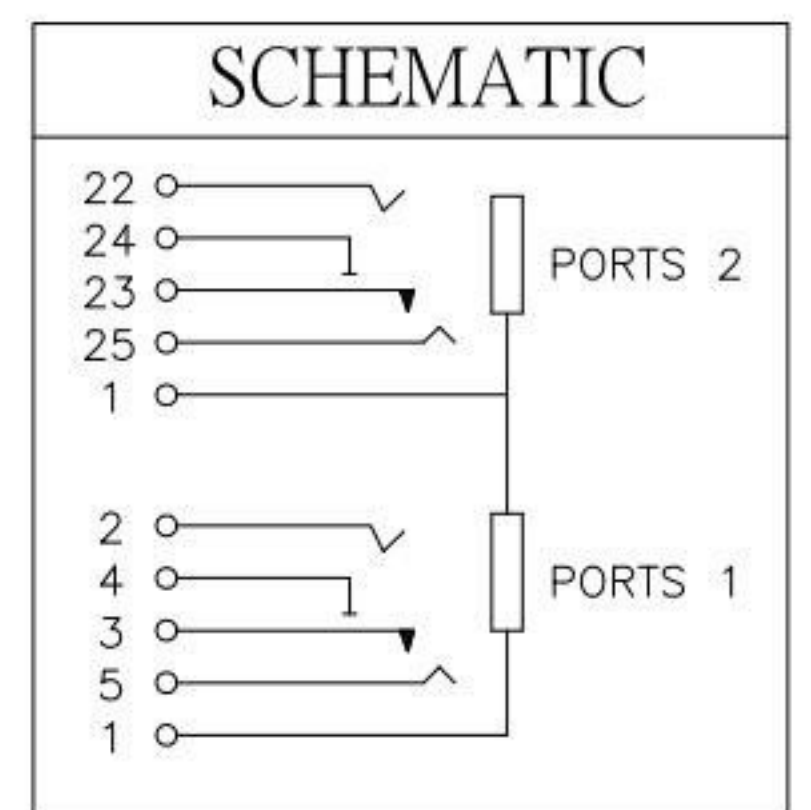
A	B
Blank	Black
P	Pink
B	Blue
G	Green

DATE CODE



NOTE:

- MATERIAL SPECIFICATION:
  - 1-1.PLASTIC BUSHING:PA66
  - 1-2.HOUSING:PA9T;COLOR:BLACK
  - 1-3.COVER:LCP;COLOR:BLACK,
  - 1-4.SHIELD:STAINLESS STELL;
  - 1-5.2-TIP TERMINAL&TIP TERMINAL: BRASS
  - 1-6.2-TS TERMINAL&TS TERMINAL: BRASS
  - 1-7.2-RS TERMINAL&RS TERMINAL: BRASS
  - 1-8.2-RING TERMINAL&RING TERMINAL: BRASS
  - 1-9.SLEEVE TERMINAL: BRASS
- PLATING SPECIFICATION:
  - 2-1.CONTACTS:
    - Ni UNDER PLATED OVER ALL.
    - Au PLATED ON THE FUNCTIONAL AREA OF CONTACT.
    - TIN PLATED ON SOLDER AREA.
  - 2-2.SHIELD:TIN PLATED ON SOLDER AREA.
- MECHANICAL PERFORMANCE,
  - 3-1.INSERTION FORCE: 3.0kgf MAX
  - 3-2.REMOVAL FORCE: 0.3kgf MIN
  - 3-3.DURABILITY: 1500 CYCLES.
- ELECTRICAL PERFORMANCE,
  - 4-1.INSULATION RESISTANCE: 100MΩ MIN
  - 4-2.DIELECTRIC WITHSTAND VOLTAGE: AC 500V



**KSD** 科斯达电子科技有限公司  
 SWITCH CONNECTOR 全球互联零组件制造企业  
**KSD ELECTRONIC TECHNOLOGY Co., LTD**

TOLERANCE UNLESS OTHERWISE STATED:  
 Up to 5 ±0.2  
 Above 5 ~ 15 ±0.3  
 Above 15 ~ 30 ±0.4  
 Above 30 ~ 50 ±0.5  
 Angle ±0.3

3RD. ANGEL'S  
 UNITS MM

DRAWN BY:	DATE	MAT'L	TITLE	JACK
Jack Lu	06/18/20			
CHECKED BY:	DATE	FINISH	MODLE	PHONE JACK
Jacky Chen	06/18/20			
APPROVED BY:	DATE	SCALE	DWG NO.	PJ-D343A-xx-S214
Tony Kao	06/18/20	1:1	PART NO.	PJ-D343A-xx-S214
SHEET NO.		1 of 1	SIZE A4	
			VER R2	

ITEM NO.	DESCRIPTION	DRAWN	DATE
2	更新选项代號	Jack	061820
1	新增颜色选项料號	Jack	052220