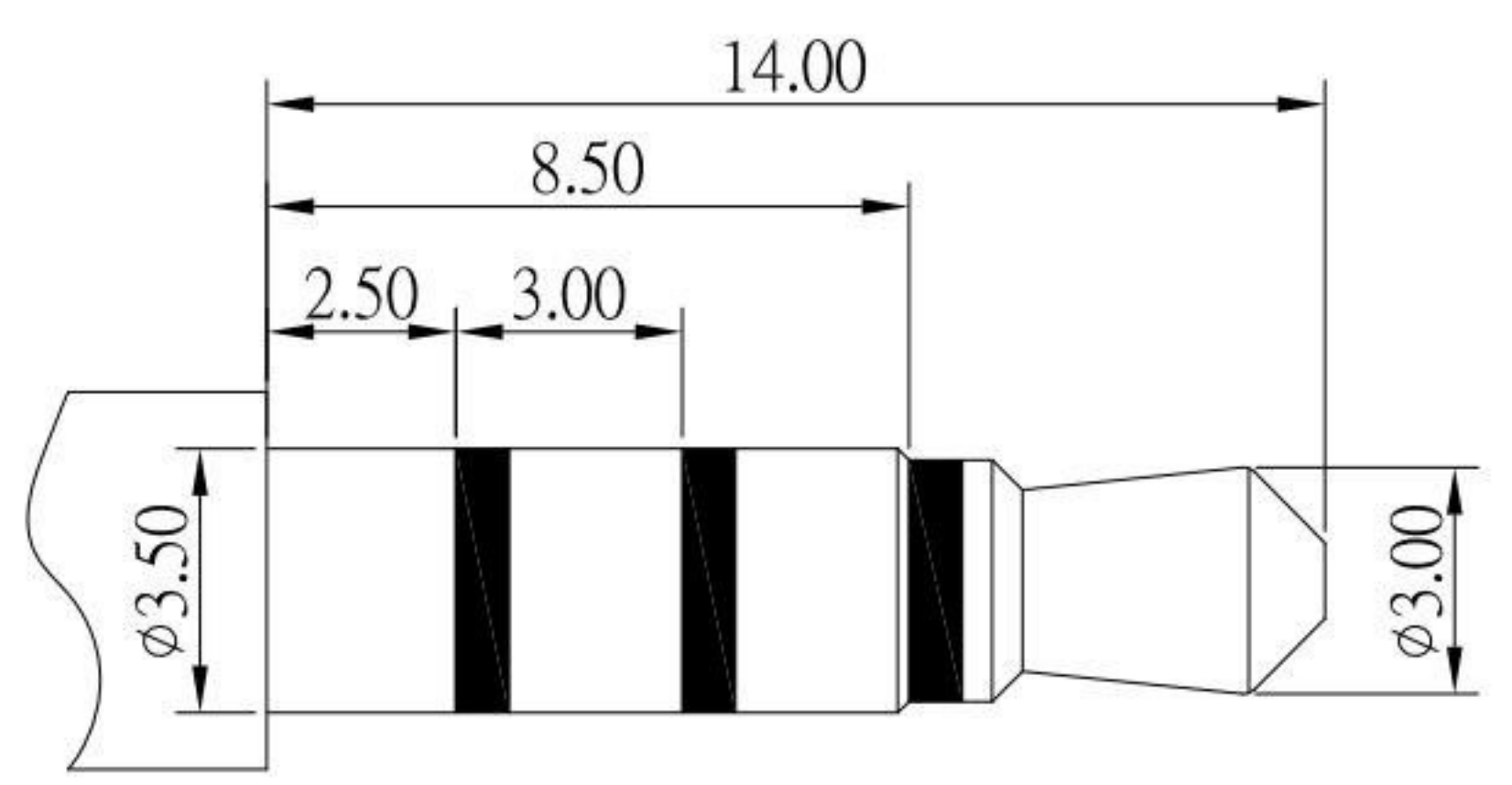
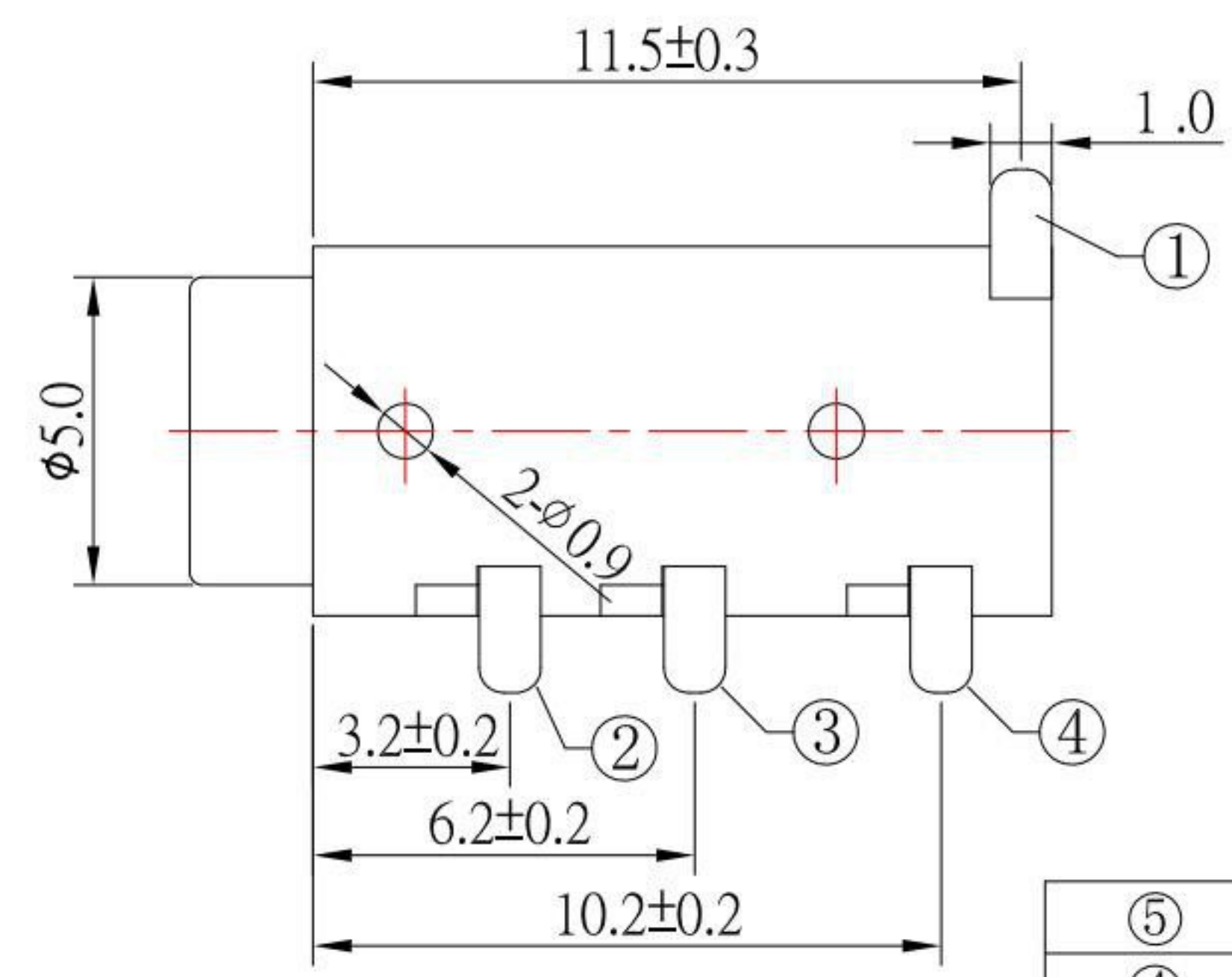


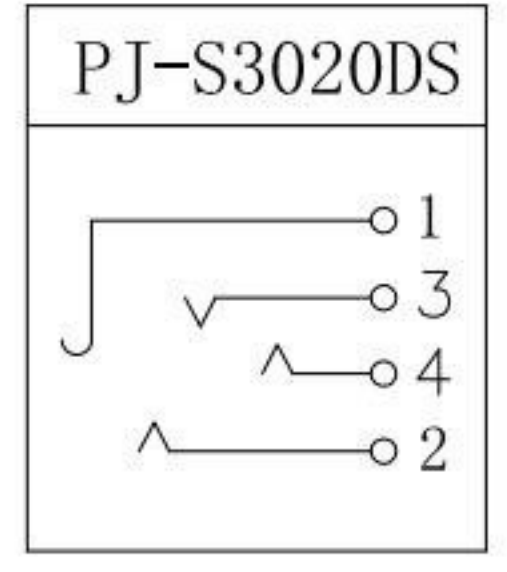
P.C.B LAYOUT
TOP VIEW



φ3.50mm 4 POLE PLUG



SCHEMATIC



SPECIFICATIONS

- 1. Rating : DC 30V, 1.0A ;
- 2. Contact resistance : ≤30mΩ ;
- 3. Insulation resistance : ≥100MΩ ;
- 4. Withstand voltage : 500VAC ;
- 5. Insertion and extraction force : 3-20N;
- 6. life test : 5,000 cycles °

NO.	DESCRIPTION	QTY	MATERIAL	PLATING
⑤	HOUSING	1	LCP	
④	4# CONTACT FOOT	1	PHOSPHOR BRONZE	Sn-Plating
③	3#CONTACT FOOT	1	PHOSPHOR BRONZE	Sn-Plating
②	2# CONTACT FOOT	1	PHOSPHOR BRONZE	Sn-Plating
①	1# CONTACT FOOT	1	PHOSPHOR BRONZE	Sn-Plating

ITEM NO.	DESCRIPTION	DRAWN	DATE
7	更新鍍層	Jack	101521
6	更新材質	Jack	091421
5	新增上視圖	Jack	040119
4	更新樣式及尺寸	Jack	032819
3	更新PLUG尺寸	Jack	050918
2	更新圖面	Jack	080317
1	更新材質	Jack	080117

KSD 科斯达电子科技有限公司
 SWITCH CONNECTOR KSD ELECTRONIC TECHNOLOGY Co., LTD
 全球 互聯零組件 制造企业

TOLERANCE UNLESS OTHERWISE STATED :
 Up to 5 ±0.2
 Above 5 ~ 15 ±0.3
 Above 15 ~ 30 ±0.4
 Above 30 ~ 50 ±0.5
 Angle ±0.3°

3RD. ANGEL'S

UNITS MM

DRAWN BY:	DATE	MAT'L	TITLE	JACK
Jack Lu	10/15/21		MODLE	PHONE JACK
CHECKED BY:	DATE	FINISH	DWG NO.	PJ-S3020DS-S124
Jacky Chen	10/15/21		PART NO.	PJ-S3020DS-S124
APPROVED BY:	DATE	SCALE	1:1	
Tony Kao	10/15/21	SHEET NO.	1 of 1	

SIZE A4
 VER R7